

Lupo

Made in Italy

User Manuals

Release 8.xx

SuperpanelPRO 30

Full Color / Dual Color

SuperpanelPRO 60

Full Color / Dual Color

UltrapanelPRO 30

Full Color / Dual Color

UltrapanelPRO 60

Full Color / Dual Color

Actionpanel

Full Color / Dual Color

DayledPRO

DayledPRO 650 / Dual Color 650 / Full Color 650

DayledPRO 1000 / Dual Color 1000 / Full Color 1000

DayledPRO 2000 / Dual Color 2000 / Full Color 2000

DayledPRO 3000 / Dual Color 3000 / Full Color 3000

MovielightPRO

Monocolor / Dual Color / Full Color

SAFETY PRECAUTIONS:

Do not operate the equipment before studying the instruction manual and the accompanying safety precautions. Make sure that Lupo Safety Instruction is always included with the equipment! Lupo products are intended for professional use. Do not place or use the equipment where it can be exposed to moisture, extreme electromagnetic fields or in areas with flammable gases or dust! Do not expose the equipment to dripping or splashing. Do not place any objects filled with liquids on or near the equipment. Do not expose the equipment to hasty temperature changes in humid conditions as this could lead to condensation water in the unit. Equipment must only be serviced, modified or repaired by authorized and competent service personnel!

CAUTION - BURN HAZARD - HOT PARTS

Do not touch hot parts with bare fingers! LED bulbs and certain metal parts emit strong heat when used! Do not point lamps too close to persons. Always use the fixtures with the front part closed.

NOTICE - EQUIPMENT OVERHEATING RISK

Do not obstruct ventilation by placing filters, diffusing materials, etc. over inlets and outlets of the equipment ventilation or directly over glass cover or LED bulbs.

FINAL DISPOSAL

When no longer in use, this product may not be deposited in the normal household waste but should be brought to a collection point for the recycling of electrical and electronic appliances. The materials are recyclable as marked. By re-use, recycling or another form of sign old appliances you are making an important contribution towards the protection of the environment. Please ask your local authorities for the appropriate disposal point. Equipment contains electrical and electronic components that could be harmful to the environment. Equipment may be returned to Lupo distributors free of charge for recycling according to WEEE. Follow local legal requirements for separate

disposal of waste, for instance WEEE directive for electrical and electronic equipment on the European market, when product life has ended!

MAINTENANCE AND CARE

Please do not forget that the safe operation of lampheads also includes their maintenance and care. A visual inspection should be conducted before every use and an inspection of electrical safety should be conducted at least once every 12 months.

WARRANTY

Each Lupo product will be repaired free of charge by Lupo if during a period of **12 months** for mechanical components and **12 months** for electrical/electronic components from date of purchase its working order is impaired through a manufacturing or material defect. The faulty product should be immediately sent to authorized dealer or Lupo. This warranty is not valid for equipment which has been used improperly, dismantled, modified or repaired by persons not belonging to the Lupo distribution network. It does not cover lamps, lenses or the material entirely or partially made of glass. No responsibilities can be accepted for damage resulting from unsatisfactory operation of the equipment. Please contact the dealer who sold the fixture/s before any units are returned for repair. Lupo will make the final determination as to whether or not the unit is covered by warranty. Lupo will replace or repair to proper working condition any products that are returned under warranty. Products repaired or replaced under warranty are under warranty only for the remaining unexpired period of time of the original warranty. Any product unit or part returned to Lupo must be packaged in a suitable manner to ensure the protection of such product unit or parts. The package must be clearly and prominently marked to indicate that the package contains returned product units or parts. All returned product units or parts must be accompanied by a written explanation of the alleged problem or malfunction.

⚠ WARNING:

When hanging the fixture from higher position, please make sure you use a safety cable to attach the barndoors to the yoke of the fresnel. Barndoors should always be secured to the yoke when used in this way. Another safety cable should be used to secure the fixture to the mounting pipe or truss. Both safety cables must be properly dimensioned for the fixture and the application when the fixture is operated in hanging position please ensure that the accessories are installed correctly with top latch locked.

Thanks for having purchased Lupo products. All the products are made in Italy and all the efforts have been put to keep the quality standards high. We hope this product can help you in your job and make your life easier as a professional. We also hope you will enjoy its use and we would be happy to receive your feedback about it.

UltrapanelPRO 30

Cod. 800 PRO UltrapanelPRO Dual Color Hard 30 pg. 5
 Cod. 810 PRO UltrapanelPRO Dual Color Soft 30 pg. 5
 Cod. 817 PRO UltrapanelPRO Full Color Hard 30 pg. 13
 Cod. 815 PRO UltrapanelPRO Full Color Soft 30 pg. 13

UltrapanelPRO 60

Cod. 804 PRO UltrapanelPRO Dual Color Hard 60 pg. 23
 Cod. 814 PRO UltrapanelPRO Dual Color Soft 60 pg. 23
 Cod. 818 PRO UltrapanelPRO Full Color Hard 60 pg. 32
 Cod. 816 PRO UltrapanelPRO Full Color Soft 60 pg. 32

SuperpanelPRO 30

Cod. 400 PRO SuperpanelPRO Dual Color Hard 30 pg. 5
 Cod. 410 PRO SuperpanelPRO Dual Color Soft 30 pg. 5
 Cod. 418 PRO SuperpanelPRO Full Color Hard 30 pg. 13
 Cod. 415 PRO SuperpanelPRO Full Color Soft 30 pg. 13

SuperpanelPRO 60

Cod. 404 PRO SuperpanelPRO Dual Color Hard 60 pg. 23
 Cod. 414 PRO SuperpanelPRO Dual Color Soft 60 pg. 23
 Cod. 419 PRO SuperpanelPRO Full Color Hard 60 pg. 32
 Cod. 416 PRO SuperpanelPRO Full Color Soft 60 pg. 32

Actionpanel

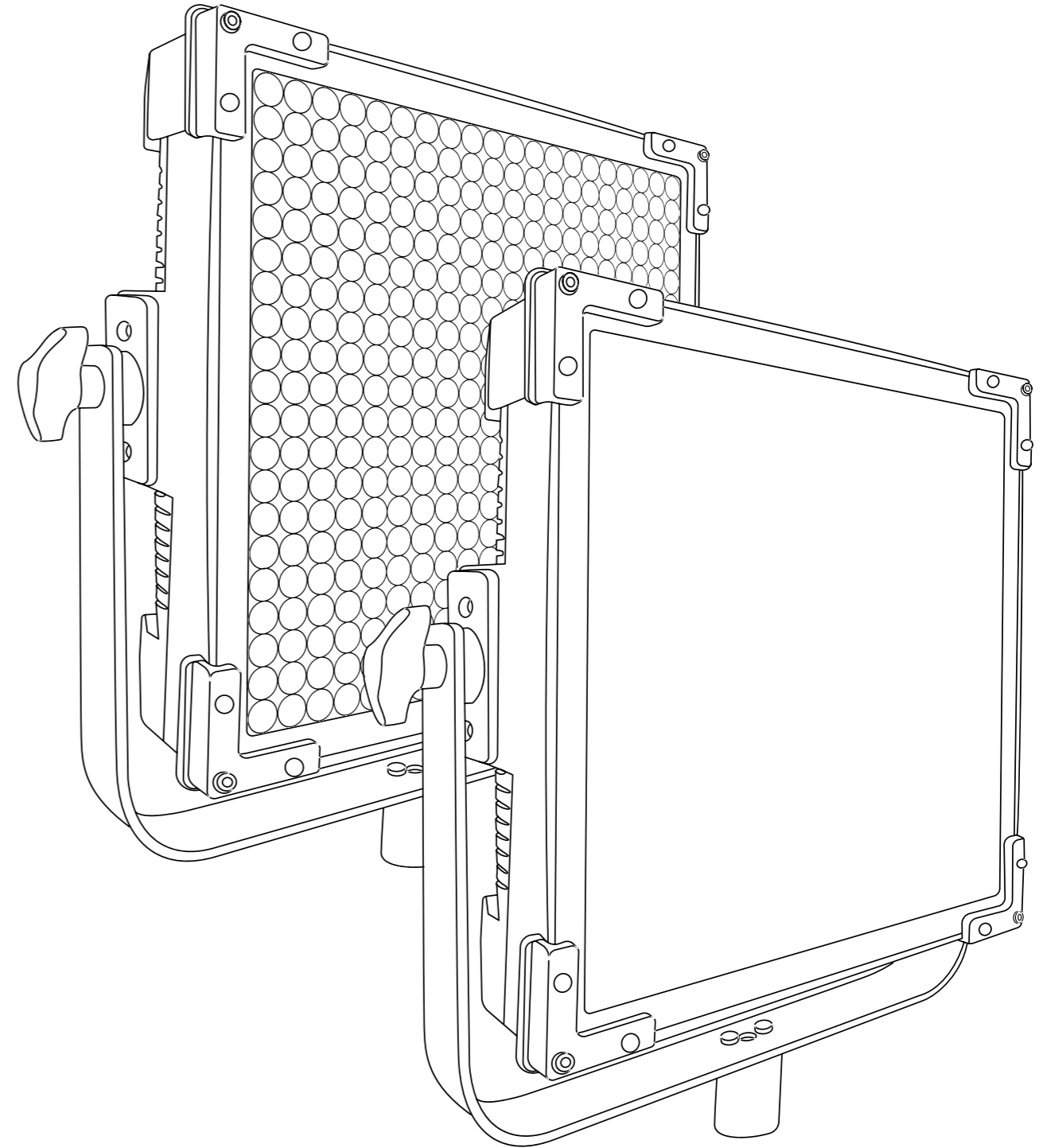
Cod. 600 Actionpanel Dual Color Hard pg. 43
 Cod. 603 Actionpanel Dual Color Soft pg. 43
 Cod. 602 Actionpanel Full Color Hard pg. 51
 Cod. 604 Actionpanel Full Color Soft pg. 51

DayledPRO

Cod. 300D PRO / 300 T PRO / 303 PRO DayledPRO 650 pg. 61
 Cod. 301D PRO / 301 T PRO / 304 PRO DayledPRO 1000 pg. 61
 Cod. 302D PRO / 302 T PRO / 305 PRO DayledPRO 2000 pg. 61
 Cod. 309D PRO / 309 T PRO / 310 PRO DayledPRO 3000 pg. 70
 Cod. 306 PRO DayledPRO Full Color 650 pg. 78
 Cod. 307 PRO DayledPRO Full Color 1000 pg. 78
 Cod. 308 PRO DayledPRO Full Color 2000 pg. 78
 Cod. 3011 PRO DayledPRO Full Color 3000 pg. 88

MovielightPRO

Cod. 900 MovielightPRO 300 pg. 98
 Cod. 901 MovielightPRO Dual Color300 pg. 98
 Cod. 904 MovielightPRO Full Color300 pg. 106

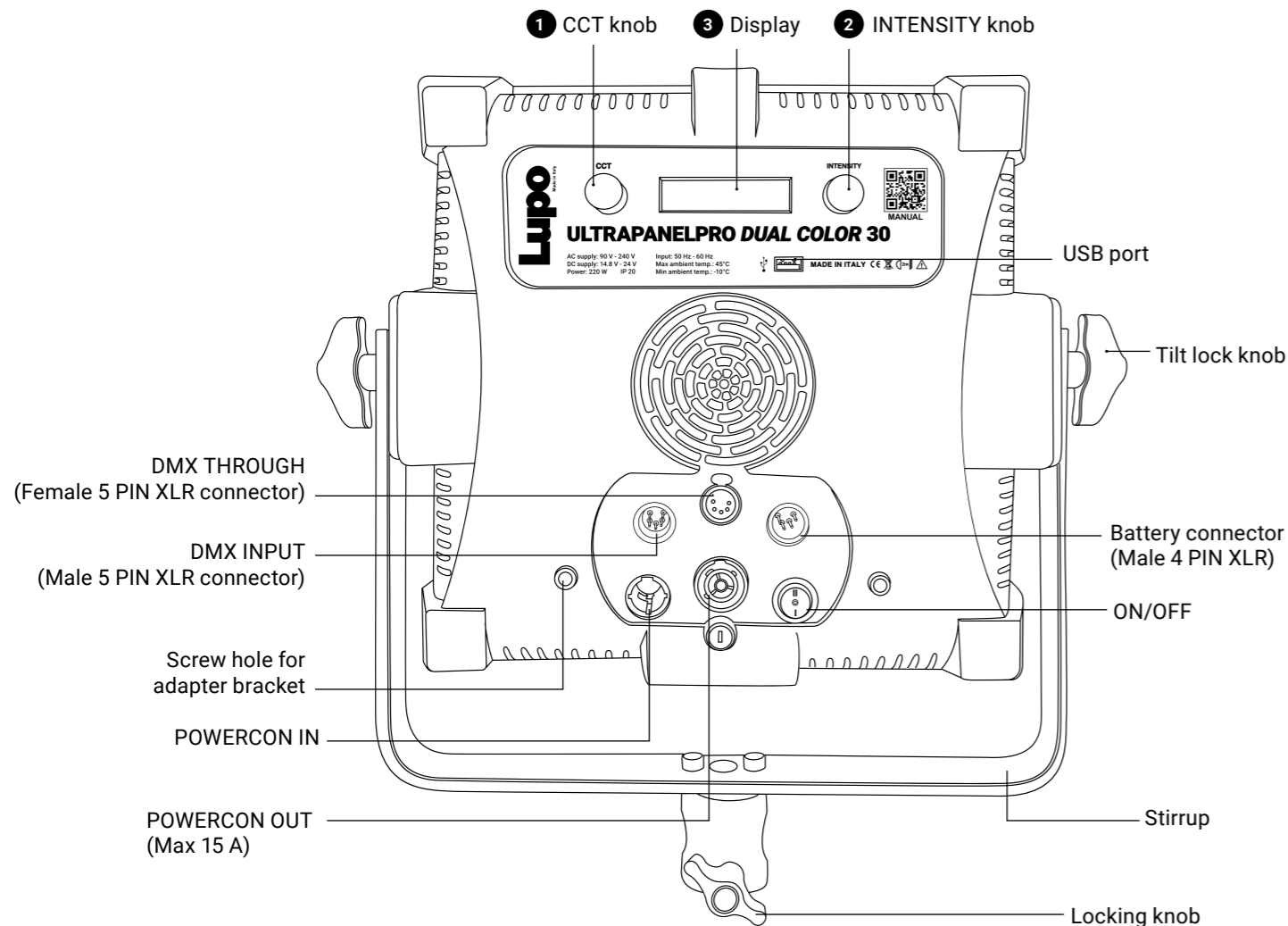


800 PRO UltrapanelPRO Dual Color Hard 30
810 PRO UltrapanelPRO Dual Color Soft 30
400 PRO SuperpanelPRO Dual Color Hard 30
410 PRO SuperpanelPRO Dual Color Soft 30

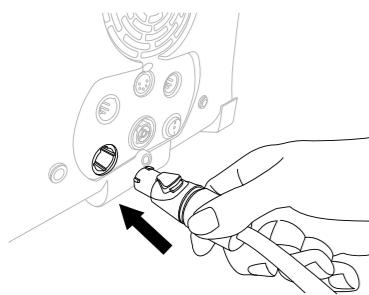
Instructions

- Device for indoor use only.
- Maximum ambient temperature: 40 °C.
- Make sure power supply plug is suitable to power required.
- As prescribed by international regulations, a safety cable must be used when the fixture is suspended from ceiling.
- To switch on the light push the on/off button.
- SuperpanelPRO and UltrapanelPRO models are equipped with new generation high quality poweredleds.

Getting Started with the SuperpanelPRO 30 and the UltrapanelPRO 30



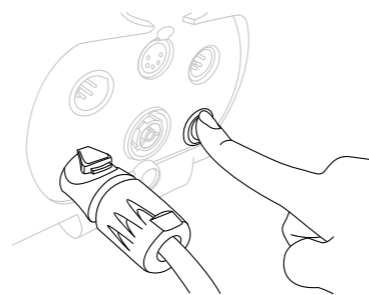
Turning on the SuperpanelPRO 30 and the UltrapanelPRO 30



1 Insert the POWERCON



2 Rotate it by 15° until makes a click



3 Turn ON the power switch:
0 : OFF
I : AC power
II : Battery power

CONTROL PANEL

- In current mode press the 2 push button to enter the main MENU.
- In the sub-menus press the 2 push button to confirm a selection.
- Rotate the 2 knob to navigate in the main MENU and sub-menus.
- Use the « INTENSITY » 2 knob to adjust the **light intensity from 0 to 100%**.
- Use the knob 1 to adjust the light mode parameters.
- Display 3.

⚠ ATTENTION: The **light intensity** level is adjustable from **0 - 50%** if the **FAN** is **OFF**. The value on the display flashes.

MODE

1. Press the 2 push button to enter the main MENU.
2. Select **MODE** by pressing the 2 push button.
3. Select the light mode among **CCT** with the 2 knob and press the 2 push button to confirm selection.
4. Select among **CCT / PRESET / SAVE PRESET** with the 2 knob and press the 2 push button to confirm selection
5. See **LIGHT MODES**.

LIGHT MODES

MODE	INTENSITY 4	CCT/HUE 5	GN/SAT/COLOR 6	GN/SAT/COLOR 6
CCT	Light Intensity	CT 2800 K to 10000 K	-	-

CCT MODE: Warm and cold white control mode. It allows you to adjust colour temperature (CCT), and light intensity. *This is the default setting.*

⚠ ATTENTION: Rotating the 1 knob changes the CT value- Pressing 1 button select GN value that can be changed by rotating the same 1 knob.

DMX OPERATIONS

1. Press the 2 push button to enter the main MENU.
2. Select **CONTROL** with the 2 knob and press the 2 push button to confirm selection.
3. Select **DMX** with the 2 knob and press the 2 push button to confirm selection.
4. Select the DMX channel, rotating the 1 knob to change DMX ADDRESS in ascending or descending order among 1 and 512. The number shown on the display 3 is the selected channel to communicate with the control desk.
5. See **DMX PROTOCOL MANUAL** for DMX channel specification.

NOTE: The symbol - ! - on the display indicates that there is **no DMX signal**.

BLUETOOTH

1. Press the 2 push button to enter the main MENU.
1. Select **CONTROL** with the 2 knob and press the 2 push button to confirm selection.
2. Select **BLE** with the 2 knob and press the 2 push button to confirm selection.

DMX OPERATIONS - Advanced Settings

1. Press the 2 push button to enter the main MENU.
2. Navigate through the main MENU with the 2 knob until **DEVICE SETTINGS** and press the 2 push button to confirm selection.
3. Rotate the 2 knob to select **DMX ADVANCED**, press the 2 push button to confirm selection.
4. Select one of the options among the **DMX BIT, DMX SIGNAL LOSS, RDM ENABLE, STROBE ENABLE** and **INV CCT**

press **2** push button to confirm the selection.

DMX BIT:

Resolution of the DMX control. 8bit 1 channel per function and 16 bit 2 channels per function.

1. Select the **DMX BIT** item by pressing the **2** push button.
2. Rotate the **2** knob to choose between **8bit / 16bit**, press the **2** push button to confirm the selected setting. See **DMX PROTOCOL MANUAL**.

DMX SIGNAL LOSS:

This feature allows to choose the device's behaviour in case of a DMX signal loss.

1. Select the **LOSS DMX SIGNAL** item with the **2** push button
2. Rotate the **2** knob to select the device's behaviour among **BLACK OUT / SETTINGS LAST / SETTINGS 1min**, press the **2** push button to confirm the setting.

Black out: The device switches off.

Settings Last: The values of the last selected setting are maintained over time until the device is switched off.

Settings 1min: The values of the last selected settings is maintained for one minute and then the device switch off.

RDM Enable: ON/OFF, enable/disable RDM Protocol

INV CCT: ON/FF: enable/disable reversal CCT console control

DMX Protocol

Introduction

The SuperpanelPRO and UltrapanelPRO can be used with 8 bit or 16 bit DMX control. (See *DMX OPERATION - advanced settings* in the user's manual). When used in **8 bit mode** the panels uses **one channel for each function**. DMX values for each channel are in the range of 0 to 255. When used in **16 bit mode** the panels uses **two channels for each function**. The increased resolution offers a smooth dimming and a more accurate color adjustment. DMX values for the first channel (byte 1) are in the range of 256 to 65535 while for the second channel (byte 2) they are in the range of 0 to 255.

⚠ ATTENTION: The symbol - ! - on the display indicates that there is **no DMX signal**.

⚠ ATTENTION: * If the **STROBE** in the DMX ADVANCED SETTINGS is enabled, there are 1 more channel in 8 bit and 2 more channels in 16 bit:

DMX Channel Protocol - 8 bit

MODE	CHANNELS	DMX CHANNEL POSITION	DMX VALUE	VALUE
CCT	2/3*	1. DIMMER	0 - 255	0 - 100 %
		2. COLOR TEMPERATURE	0 - 255	6500 - 2700
		3. *STROBE CONTROL	0 ÷ 5	∅
			6 ÷ 255	1 ÷ 25 Hz

DMX Channel Protocol - 16 bit

MODE	CHANNELS	DMX CHANNEL POSITION	DMX VALUE	VALUE
CCT	4/6*	1. DIMMER - byte 1	0 - 65535	0 ÷ 100 %
		2. DIMMER - byte 2		
		3. COLOR TEMPERATURE - byte 1	0 - 65535	6500 - 2700
		4. COLOR TEMPERATURE - byte 2		
		5. *STROBE CONTROL - byte 1	0 ÷ 1300	∅
		6. *STROBE CONTROL - byte 2	1301 ÷ 65535	1 ÷ 25 Hz

RDM Protocol Specification

COMMAND	PID	DESCRIPTION
Manufacturer ID	0x0622	Manufacturer identification number (LUPO Lighting).
Device Identification		
Model ID		Model identification number
	1	Dayled 650 mono color
	2	Dayled 650 dual color
	3	Dayled 1000 mono color
	4	Dayled 1000 dual color
	5	Dayled 2000 mono color
	6	Dayled 2000 dual color
	7	Superpanel 30 dual color soft
	8	Superpanel 30 dual color lens
	9	Superpanel 30 full color soft
	10	Superpanel 30 full color lens
	11	Superpanel 60 dual color soft
	12	Superpanel 60 dual color lens
	13	Superpanel 60 full color soft
	14	Superpanel 60 full color lens
	15	Actionpanel dual color soft
	16	Actionpanel dual color lens
	17	Actionpanel full color soft
	18	Actionpanel full color lens
	19	Kickasspanel dual color
	20	Kickasspanel full color
	21	Lupoled monocolour
	22	Lupoled dualcolor
	23	Movielight monocolour
	24	Movielight dual color
	25	Ultrapanel 30 dual color soft
	26	Ultrapanel 30 dual color lens
	27	Ultrapanel 60 full color soft
	28	Ultrapanel 60 full color lens
	29	Ultrapanel 30 full color soft
	30	Ultrapanel 30 full color lens
	31	Ultrapanel 60 dual color soft
	32	Ultrapanel 60 dual color lens
	33	Dayled 650 PRO Full Color
	34	Dayled 1000 PRO Full Color
	35	Dayled 2000 PRO Full Color

Personality		DMX Personality
	0x01	CCT
Network management		
DISC UNIQUE BRANCH	0x0001	Search RDM devices
DISC MUTE	0x0002	Mute RDM device, no response message
DISC UN MUTE	0x0003	Activate RDM device fo response message
Status collection		
QUEUED MESAGES	0x0020	Retrieves queued messages or status message if no message is in queue
STATUS MESSAGES	0x0030	Retrieves current Warning/Error messages
RDM Information		
SUPPORTED PARAMETERS	0x0050	Retrieves a list of all supported RDM commands
PARAMETER DESCRIPTION	0x0051	Retrieves a list of all RDM commands
Product Information		
DEVICE INFO	0x0060	Retrieves a variety of information about the device that is normally required by a controller.
DEVICE MODEL DESCRIPTION	0x0080	Text description of up to 32 characters for the device model type.
MANUFACTURER LABEL	0x0081	This parameter provides an ASCII text response with the Manufacturer name for the device. "LUPO" is the default name.
FACTORY DEFAULTS	0x0090	Set the device to its factory defaults. Get: Check if settings still in default state -> 1 if default
SOFTWARE VERSION LABEL	0x00C0	Retrieves software version string of main software
DMX512 Setup		
DMX PERSONALITY	0x00E0	DMX mode
DMX PERSONALITY DESCRIPTION	0x00E1	Shows a description of a DMX-Mode, max 32 characters
DMX START ADDRESS	0x00F0	DMX address
Control		
IDENTIFY DEVICE	0x1000	The identify flag (flashes the light)
Manufacturer Commands		
FAN MODE	0x8001	0: Off 1: On
DISPLAY TIMEOUT	0x8002	0: 30 sec 1: 1 min 2: always on
DMX SIGNAL LOST MODE	0x8003	0: black out 1: last settings on 2: last settings 1 min
DMX BITS	0x8004	0: 8 bit 1: 16 bit
CCT LIMIT	0x8005	0: 2800-10000 1: 3200-5600
LINEARIZATION	0x8006	0: linear 1: exponential 2: logarithmic
FILTER	0x8007	0: full speed 1: normal speed 2: high speed 3: low speed
FREQUENCY	0x8008	0: 18 KHz 1: 25 KHz
INV - CCT	0x8009	0: not inverted 1: inverted

DEVICE SETTINGS

1. Press the **2** push button to enter the main MENU.
2. Navigate through the MENU rotating the **2** button, select **DEVICE SETTINGS**, press the **2** push button to confirm the selection.
3. Navigate through the MENU rotating the **2** button, select **GENERAL**, press the **2** push button to confirm the selection.
4. Navigate through the **FAN POWER / DISPLAY / FREQUENCY / FILTER / LINEARIZATION / CCT LIMIT** functions, rotating the **2** button to select the desired function and press the **2** push button to confirm the selection.
5. Within each function select the option to be activated and rotate the **2** button.

Fan Power: Fan operation **ON / OFF**.

When the fan is **OFF** the **light intensity** be adjustable between **0 and 50%**.

Display: Time during which the display backlight stays on. **30sec / 1min / ALWAYS ON**.

Frequency: Dimmer frequency 18 KHz - 25 KHz

Filter: It is the speed response of the system (smooth factor).

FULL SPEED / NORMAL SPEED / HIGH SPEED / LOW SPEED.

Linearization: Linearization is the compensation curve for the human eye's perception of the luminous intensity emitted as a function of the required power. Required power = dimmer value on the display. **LINEAR / EXPONENTIAL / LOGARITHMIC.**

Linear: No compensation, the intensity of the light is directly proportional to requested power.

Exponential: The light intensity increases from 0 to 100 exponentially.

Logarithmic: The light intensity increases from 0 to 100 logarithmically.

CCT Limit: CCT range 2800 - 6500 or 3200 - 5600

RESET DEVICE

1. Press the « **OK** » **2** button to enter the main MENU.
2. Select **RESET DEVICE** rotating the **2** button, press the **2** push button to confirm the selection.
3. Select **YES** rotating the **2** button, press the **2** push button to confirm the selection.
4. The device ask for further confirmation, select **YES** by pressing the press the **2** push button. **THE DEVICE RETURNS TO FACTORY DEFAULT SETTINGS.**

FACTORY DEFAULT SETTING	
MODE	DEVICE SETTINGS
CCT	FAN: ON
DMX OPERATION	DISPLAY: 1 min
BIT: 8 BIT	FILTER : Normal speed
DMX SIGNAL LOSS: Settings 1 MIN	LINEARIZATION: Linear
RDM ENABLE: OFF	FREQUENCY: 18 KHz
INV - CCT: OFF	CONTROL
	Manual

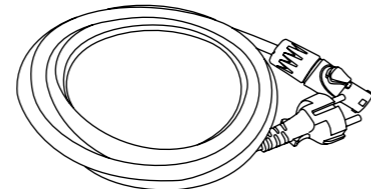
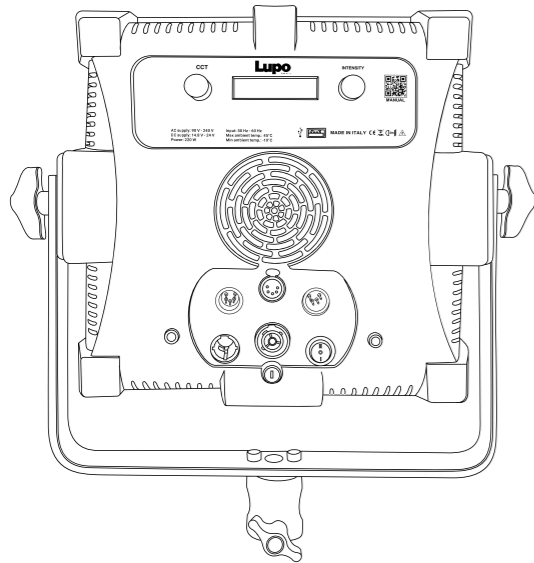
USB PORT

Use USB port for firmware updates.

Update the Firmware

1. Copy the file on an USB Pendrive (FAT32 formatted) in the main root;
2. Switch off the equipment and insert the USB Pendrive;
3. Switch on the equipment;
4. Wait until display backlight stop flashing (it takes several minutes and display backligh must toggle for all time long);
5. Switch off the equipment;
6. Extract the Pendrive and switch on the equipment: the firmware is updated.

Package Contents for SuperpanelPRO 30 and UltrapanelPRO 30

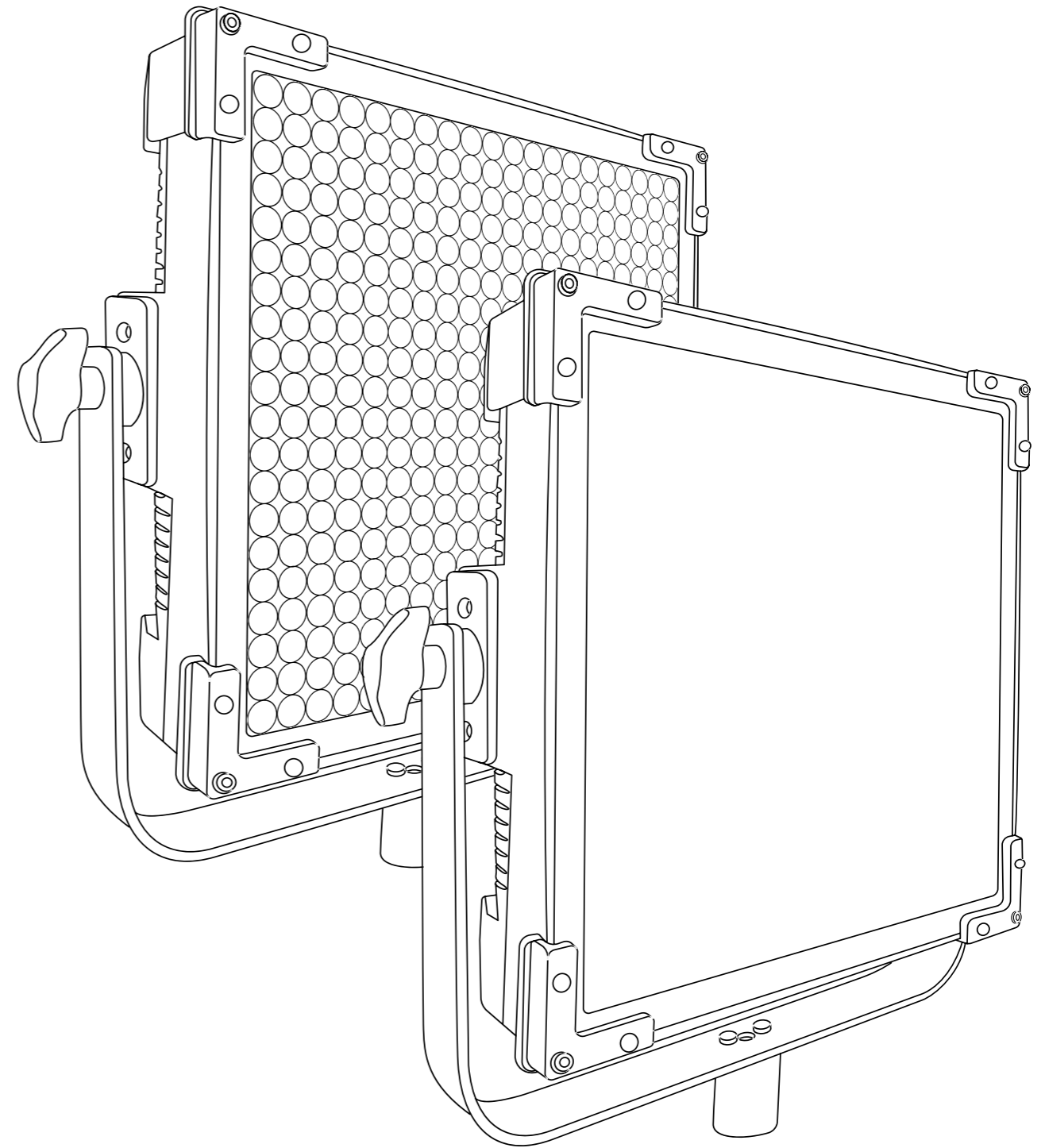
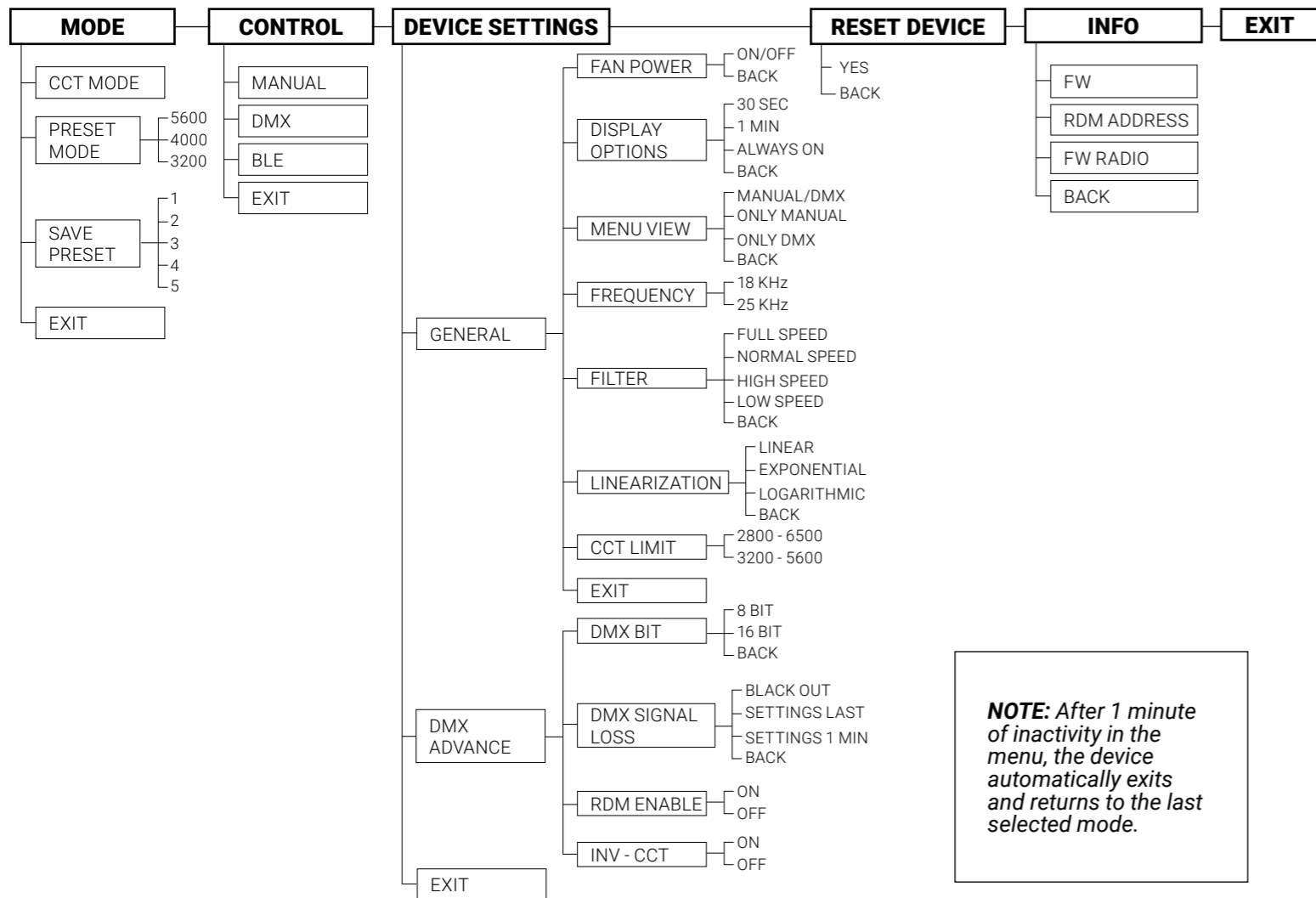


AC Power Cord Cable

⚠ ATTENTION: Please keep the original package of the product in a safe place for warranty reasons.

MENU e submenus

- Select **"EXIT"** to return to the current mode.
- Select **"BACK"** to return to the previous menu.



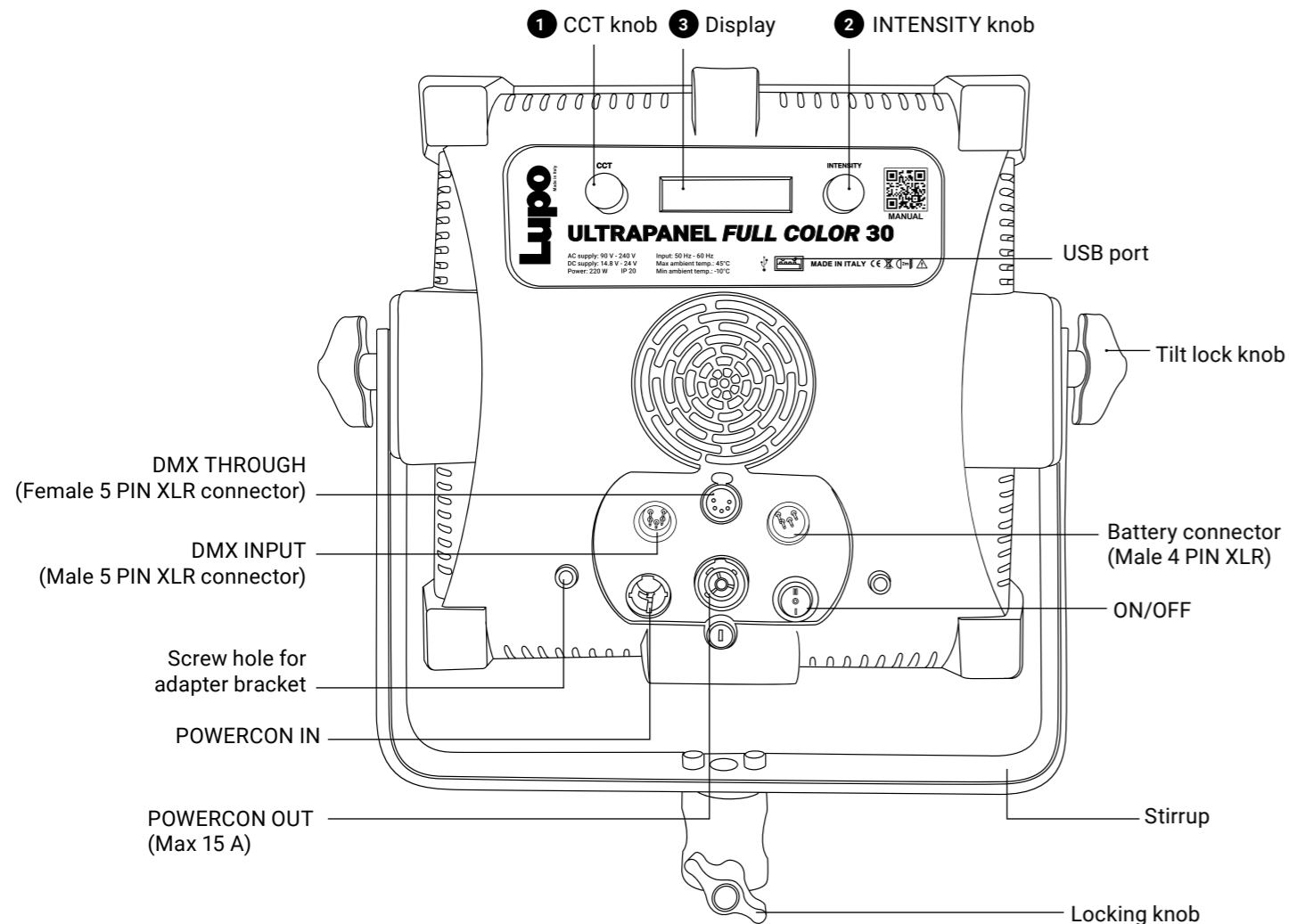
User Manuals

- 817 PRO UltrapanelPRO Full Color Hard 30
- 815 PRO UltrapanelPRO Full Color Soft 30
- 418 PRO SuperpanelPRO Full Color Hard 30
- 415 PRO SuperpanelPRO Full Color Soft 30

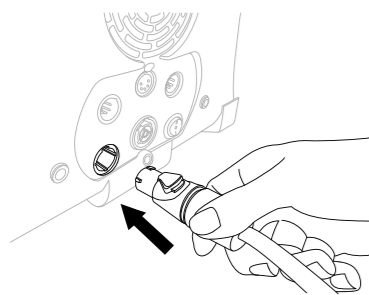
Instructions

- Device for indoor use only.
- Maximum ambient temperature: 40 °C.
- Make sure power supply plug is suitable to power required.
- As prescribed by international regulations, a safety cable must be used when the fixture is suspended from ceiling.
- To switch on the light push the on/off button.
- SuperpanelPRO and UltrapanelPRO models are equipped with new generation high quality powerleds.

Getting Started with the SuperpanelPRO 30 and the UltrapanelPRO 30



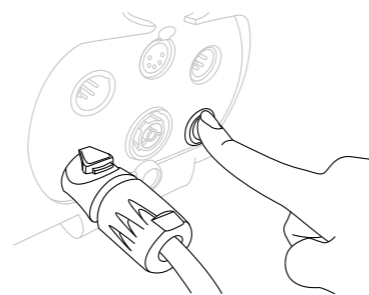
Turning on the SuperpanelPRO 30 and the UltrapanelPRO 30



1 Insert the POWERCON



2 Rotate it by 15° until makes a click



3 Turn ON the power switch:
0 : OFF
I : AC power
II : Battery power

CONTROL PANEL

- In current mode press the 2 push button to enter the main MENU.
- In the sub-menus press the 2 push button to confirm a selection.
- Rotate the 2 knob to navigate in the main MENU and sub-menus.
- Use the « INTENSITY » 2 knob to adjust the **light intensity from 0 to 100%**.
- Use the knob 1 to adjust the light mode parameters.
- Display 3.

ATTENTION: The **light intensity** level is adjustable from **0 - 50%** if the **FAN** is **OFF**. The value on the display flashes.

MODE

1. Press the 2 push button to enter the main MENU.
2. Select **MODE** by pressing the 2 push button.
3. Select the light mode among **CCT** with the 2 knob and press the 2 push button to confirm selection.
4. Select among **CCT / HSI / RGBW / PRESET / EFFECT / SAVE PRESET** with the 2 knob and press the 2 push button to confirm selection
5. See **LIGHT MODES**.

LIGHT MODES

MODE	INTENSITY 4	CCT/HUE 5	GN/SAT/COLOR 6	GN/SAT/COLOR 6
CCT	Light Intensity from 0 to 100%	CT 2800 K to 10000 K	GN - 1.00 to + 1.00	-
HSI		HUE 0° to 100°	SAT 0 to 100%	-
RGBW		-	Select function R/G/B/W/CT/GN	Change values of the function
PRESET		-	-	Change Preset

CCT MODE: Warm and cold white control mode. It allows you to adjust colour temperature (CCT), green/magenta compensation (GN) and light intensity. *This is the default setting.*

1. In MODE menu select **EFFECT MODE**.
2. Select the EFFECT to be activated with rotate the 2 button, confirm the selection by pressing the 2 push button.
3. Use the knob 2 to change the DIMMER and the knob 1 to adjust the effect setting values.

ATTENTION: Rotating the 1 knob changes the CT value- Pressing 1 button select GN value that can be changed by rotating the same 1 knob.

DMX OPERATIONS

1. Press the 2 push button to enter the main MENU.
2. Select **CONTROL** with the 2 knob and press the 2 push button to confirm selection.
3. Select **DMX** with the 2 knob and press the 2 push button to confirm selection.
4. Select the DMX channel, rotating the 1 knob to change DMX ADDRESS in ascending or descending order among 1 and 512. The number shown on the display 3 is the selected channel to communicate with the control desk.
5. See **DMX PROTOCOL MANUAL** for DMX channel specification.

NOTE: The symbol - ! - on the display indicates that there is **no DMX signal**.

BLUETOOTH

1. Press the 2 push button to enter the main MENU.
1. Select **CONTROL** with the 2 knob and press the 2 push button to confirm selection.
2. Select **BLE** with the 2 knob and press the 2 push button to confirm selection.

DMX OPERATIONS - Advanced Settings

1. Press the **2** push button to enter the main MENU.
2. Navigate through the main MENU with the **2** knob until **DEVICE SETTINGS** and press the **2** push button to confirm selection.
3. Rotate the **2** knob to select **DMX ADVANCED**, press the **2** push button to confirm selection.
4. Select one of the options among the **DMX BIT**, **DMX SIGNAL LOSS**, **RDM ENABLE**, **STROBE ENABLE** and **INV CCT** press **2** push button to confirm the selection.

DMX BIT:

Resolution of the DMX control. 8bit 1 channel per function and 16 bit 2 channels per function.

1. Select the **DMX BIT** item by pressing the **2** push button.
2. Rotate the **2** knob to choose between **8bit / 16bit**, press the **2** push button to confirm the selected setting. See **DMX PROTOCOL MANUAL**.

DMX SIGNAL LOSS:

This feature allows to choose the device's behaviour in case of a DMX signal loss.

1. Select the **LOSS DMX SIGNAL** item with the **2** push button
2. Rotate the **2** knob to select the device's behaviour among **BLACK OUT /SETTINGS LAST / SETTINGS 1min**, press the **2** push button to confirm the setting.

Black out: The device switches off.

Settings Last: The values of the last selected setting are maintained over time until the device is switched off.

Settings 1min: The values of the last selected settings is maintained for one minute and then the device switch off.

RDM Enable: ON/OFF, enable/disable RDM Protocol

INV CCT: ON/FF: enable/disable reversal CCT console control

DMX Protocol

Introduction

The SuperpanelPRO and UltrapanelPRO can be used with 8 bit or 16 bit DMX control. (See **DMX OPERATION - advanced settings** in the user's manual). When used in **8 bit mode** the panels uses **one channel for each function**. DMX values for each channel are in the range of 0 to 255. When used in **16 bit mode** the panels uses **two channels for each function**. The increased resolution offers a smooth dimming and a more accurate color adjustment. DMX values for the first channel (byte 1) are in the range of 256 to 65535 while for the second channel (byte 2) they are in the range of 0 to 255.

⚠ ATTENTION: The symbol - ! - on the display indicates that there is **no DMX signal**.

⚠ ATTENTION: * If the **STROBE** in the DMX ADVANCED SETTINGS is enabled, there are 1 more channel in 8 bit and 2 more channels in 16 bit:

DMX Channel Protocol - 8 bit

MODE	CHANNELS	DMX CHANNEL POSITION	DMX VALUE	VALUE
CCT	3/4*	1. DIMMER	0 - 255	0 - 100 %
		2. COLOR TEMPERATURE	0 - 255	6500 - 2700
		3. GN COMPENSATION	0 ÷ 5	∅
			6 ÷ 255	- 1,00 ÷ + 1,00
		4. *STROBE CONTROL	0 ÷ 5	∅
6 ÷ 255	1 ÷ 25 Hz			

HSI	3/4*	1. DIMMER	0 - 255	0 ÷ 100 %
		2. HUE	0 ÷ 253	0 ÷ 360
		3. SATURATION	0 ÷ 255	0 ÷ 100 %
		4. *STROBE CONTROL	0 ÷ 255	0 - 25 Hz
RGBW	7/8*	1. DIMMER	0 - 255	0 ÷ 100 %
		2. RED	0 ÷ 255	0 ÷ 100 %
		3. GREEN	0 ÷ 255	0 ÷ 100 %
		4. BLUE	0 ÷ 255	0 ÷ 100 %
		5. WHITE	0 ÷ 255	0 ÷ 100 %
		6. COLOR TEMPERATURE	0 - 255	6500 - 2700
		7. GN COMPENSATION	0 ÷ 5	∅
			6 ÷ 255	- 1.00 ÷ +1.00
8. * STROBE CONTROL	0 ÷ 255	0 - 25 Hz		
FRGBW	7/8*	1. DIMMER	0 - 255	0 ÷ 100 %
		2. RED	0 ÷ 255	0 ÷ 100 %
		3. GREEN	0 ÷ 255	0 ÷ 100 %
		4. BLUE	0 ÷ 255	0 ÷ 100 %
		5. WHITE	0 ÷ 255	0 ÷ 100 %
		6. COLOR TEMPERATURE	0 - 255	6500 - 2700
		7. GN COMPENSATION	0 ÷ 5	∅
			6 ÷ 255	- 1.00 ÷ +1.00
8. * STROBE CONTROL	0 ÷ 255	0 - 25 Hz		
PRESET	3/4*	1. DIMMER	0 - 255	0 ÷ 100 %
		2. PRESET	0 ÷ 255	0 ÷ N PRESET
		3. PRESET FREEZE	0 - 50	NO FREEZE
			200 ÷ 255	FREEZE
4. * STROBE CONTROL	0 ÷ 255	0 - 25 Hz		

DMX Channel Protocol - 16 bit

MODE	CHANNELS	DMX CHANNEL POSITION	DMX VALUE	VALUE
CCT	6/8*	1. DIMMER - byte 1	0 - 65535	0 ÷ 100 %
		2. DIMMER - byte 2		
		3. COLOR TEMPERATURE - byte 1	0 - 65535	6500 - 2700
		4. COLOR TEMPERATURE - byte 2		
		5. GN COMPENSATION - byte 1	0 ÷ 500	∅
		6. GN COMPENSATION - byte 2	501 ÷ 65535	- 1.00 ÷ + 1.00
		7. *STROBE CONTROL - byte 1	0 ÷ 1300	∅
		8. *STROBE CONTROL - byte 2	1301 ÷ 65535	1 ÷ 25 Hz
HSI	6/8*	1. DIMMER - byte 1	0 - 65535	0 ÷ 100 %
		2. DIMMER - byte 2		
		3. HUE - byte 1	0 ÷ 65535	0 ÷ 360
		4. HUE - byte 2		
		5. SATURATION - byte 1	0 ÷ 65535	0 ÷ 100%
		6. SATURATION - byte 2		
		7. *STROBE CONTROL - byte 1	0 ÷ 1300	∅
		8. *STROBE CONTROL - byte 2	1301 ÷ 65535	1 ÷ 25 Hz
RGBW	14/16*	1. DIMMER - byte 1	0 - 65535	0 ÷ 100 %
		2. DIMMER - byte 2		
		3. RED - byte 1	0 - 65535	0 ÷ 100 %
		4. RED - byte 2		
		5. GREEN - byte 1	0 + 65535	0 ÷ 100 %
		6. GREEN - byte 2		
		7. BLUE - byte 1	0 + 65535	0 ÷ 100 %
		8. BLUE - byte 2		
		9. WHITE - byte 1	0 + 65535	0 ÷ 100 %
		10. WHITE - byte 2		
		11. COLOR TEMPERAT. - byte 1	0 - 65535	6500 - 2700
		12. COLOR TEMPERAT. - byte 2		

RGBW	14/16*	13. GN COMPENSATION - byte 1	0 ÷ 500	∅
		14. GN COMPENSATION - byte 2	501 ÷ 65535	-1,00 ÷ + 1,00
		15. *STROBE CONTROL - byte 1	0 ÷ 1300	∅
		16. *STROBE CONTROL - byte 2	1301 ÷ 65535	1 ÷ 25 Hz
FRGBW	14/16*	1. DIMMER - byte 1	0 - 65535	0 ÷ 100 %
		2. DIMMER - byte 2		
		3. RED - byte 1	0 ÷ 65535	0 ÷ 100 %
		4. RED - byte 2		
		5. GREEN - byte 1	0 ÷ 65535	0 ÷ 100 %
		6. GREEN - byte 2		
		7. BLUE - byte 1	0 ÷ 65535	0 ÷ 100 %
		8. BLUE - byte 2		
		9. WHITE - byte 1	0 ÷ 65535	0 ÷ 100 %
		10. WHITE - byte 2		
		11. COLOR TEMPERAT. - byte 1	0 - 65535	6500 - 2700
		12. COLOR TEMPERAT. - byte 2		
		13. GN COMPENSATION - byte 1	0 ÷ 500	∅
		14. GN COMPENSATION - byte 2	501 ÷ 65535	-1,00 ÷ + 1,00
		15. *STROBE CONTROL - byte 1	0 ÷ 1300	∅
		16. *STROBE CONTROL - byte 2	1301 ÷ 65535	1 ÷ 25 Hz
PRESET	6/8*	1. DIMMER - byte 1	0 - 65535	0 ÷ 100 %
		2. DIMMER - byte 2		
		3. PRESET - byte 1	0 ÷ 65535	0 ÷ N PRESET
		4. PRESET - byte 2		
		5. PRESET FREEZE - byte 1	0 - 12800 > no freeze	51200 ÷ 65535 freeze
		6. PRESET FREEZE - byte 2		
		7. *STROBE CONTROL - byte 1	0 ÷ 1300	∅
		8. *STROBE CONTROL - byte 2	1301 ÷ 65535	1 ÷ 25 Hz

RDM Protocol Specification

COMMAND	PID	DESCRIPTION
Manufacturer ID	0x0622	Manufacturer identification number (LUPO Lighting).
Device Identification		
Model ID		Model identification number
	1	Dayled 650 mono color
	2	Dayled 650 dual color
	3	Dayled 1000 mono color
	4	Dayled 1000 dual color
	5	Dayled 2000 mono color
	6	Dayled 2000 dual color
	7	Superpanel 30 dual color soft
	8	Superpanel 30 dual color lens
	9	Superpanel 30 full color soft
	10	Superpanel 30 full color lens

	11	Superpanel 60 dual color soft
	12	Superpanel 60 dual color lens
	13	Superpanel 60 full color soft
	14	Superpanel 60 full color lens
	15	Actionpanel dual color soft
	16	Actionpanel dual color lens
	17	Actionpanel full color soft
	18	Actionpanel full color lens
	19	Kickasspanel dual color
	20	Kickasspanel full color
	21	Lupoled monocolour
	22	Lupoled dualcolor
	23	Movielight monocolour
	24	Movielight dual color
	25	Ultrapanel 30 dual color soft
	26	Ultrapanel 30 dual color lens
	27	Ultrapanel 60 full color soft
	28	Ultrapanel 60 full color lens
	29	Ultrapanel 30 full color soft
	30	Ultrapanel 30 full color lens
	31	Ultrapanel 60 dual color soft
	32	Ultrapanel 60 dual color lens
	33	Dayled 650 PRO Full Color
	34	Dayled 1000 PRO Full Color
	35	Dayled 2000 PRO Full Color
Personality		DMX Personality
	0x01	CCT
Network management		
DISC UNIQUE BRANCH	0x0001	Search RDM devices
DISC MUTE	0x0002	Mute RDM device, no response message
DISC UN MUTE	0x0003	Activate RDM device fo response message
Status collection		
QUEUED MESSAGES	0x0020	Retrieves queued messages or status message if no message is in queue
STATUS MESSAGES	0x0030	Retrieves current Warning/Error messages
RDM Information		
SUPPORTED PARAMETERS	0x0050	Retrieves a list of all supported RDM commands
PARAMETER DESCRIPTION	0x0051	Retrieves a list of all RDM commands
Product Information		
DEVICE INFO	0x0060	Retrieves a variety of information about the device that is normally required by a controller.
DEVICE MODEL DESCRIPTION	0x0080	Text description of up to 32 characters for the device model type.
MANUFACTURER LABEL	0x0081	This parameter provides an ASCII text response with the Manufacturer name for the device. "LUPO" is the default name.

FACTORY DEFAULTS	0x0090	Set the device to its factory defaults. Get: Check if settings still in default state -> 1 if default
SOFTWARE VERSION LABEL	0x00C0	Retrieves software version string of main software
DMX512 Setup		
DMX PERSONALITY	0x00E0	DMX mode
DMX PERSONALITY DESCRIPTION	0x00E1	Shows a description of a DMX-Mode, max 32 characters
DMX START ADDRESS	0x00F0	DMX address
Control		
IDENTIFY DEVICE	0x1000	The identify flag (flashes the light)
Manufacturer Commands		
FAN MODE	0x8001	0: Off 1: On
DISPLAY TIMEOUT	0x8002	0: 30 sec 1: 1 min 2: always on
DMX SIGNAL LOST MODE	0x8003	0: black out 1: last settings on 2: last settings 1 min
DMX BITS	0x8004	0: 8 bit 1: 16 bit
CCT LIMIT	0x8005	0: 2800-10000 1: 3200-5600
LINEARIZATION	0x8006	0: linear 1: exponential 2: logarithmic
FILTER	0x8007	0: full speed 1: normal speed 2: high speed 3: low speed
FREQUENCY	0x8008	0: 18 KHz 1: 25 KHz
INV - CCT	0x8009	0: not inverted 1: inverted

DEVICE SETTINGS

1. Press the **2** push button to enter the main MENU.
2. Navigate through the MENU rotating the **2** button, select **DEVICE SETTINGS**, press the **2** push button to confirm the selection.
3. Navigate through the MENU rotating the **2** button, select **GENERAL**, press the **2** push button to confirm the selection.
4. Navigate through the **FAN POWER / DISPLAY / FREQUENCY / FILTER / LINEARIZATION / CCT LIMIT** functions, rotating the **2** button to select the desired function and press the **2** push button to confirm the selection.
5. Within each function select the option to be activated and rotate the **2** button.

Fan Power: Fan operation **ON / OFF**.

When the fan is **OFF** the **light intensity** be adjustable between **0 and 50%**.

Display: Time during which the display backlight stays on. **30sec / 1min / ALWAYS ON**.

Frequency: Dimmer frequency 18 KHz - 25 KHz

Filter: It is the speed response of the system (smooth factor).

FULL SPEED / NORMAL SPEED / HIGH SPEED / LOW SPEED.

Linearization: Linearization is the compensation curve for the human eye's perception of the luminous intensity emitted as a function of the required power. Required power = dimmer value on the display. **LINEAR / EXPONENTIAL / LOGARITHMIC**.

Linear: No compensation, the intensity of the light is directly proportional to requested power.

Exponential: The light intensity increases from 0 to 100 exponentially.

Logarithmic: The light intensity increases from 0 to 100 logarithmically.

CCT Limit: CCT range 2800 - 6500 or 3200 - 5600

RESET DEVICE

1. Press the « **OK** » **2** button to enter the main MENU.
2. Select **RESET DEVICE** rotating the **2** button, press the **2** push button to confirm the selection.
3. Select **YES** rotating the **2** button, press the **2** push button to confirm the selection.
4. The device ask for further confirmation, select **YES** by pressing the press the **2** push button. **THE DEVICE RETURNS TO FACTORY DEFAULT SETTINGS.**

FACTORY DEFAULT SETTING

MODE	DEVICE SETTINGS
CCT	FAN: ON
DMX OPERATION	DISPLAY: 1 min
BIT: 8 BIT	FILTER: Normal speed
DMX SIGNAL LOSS: Settings 1 MIN	LINEARIZATION: Linear
RDM ENABLE: OFF	FREQUENCY: 18 KHz
INV - CCT: OFF	CONTROL
	Manual

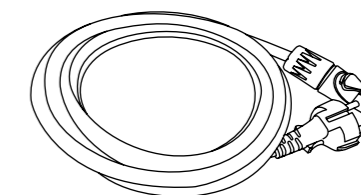
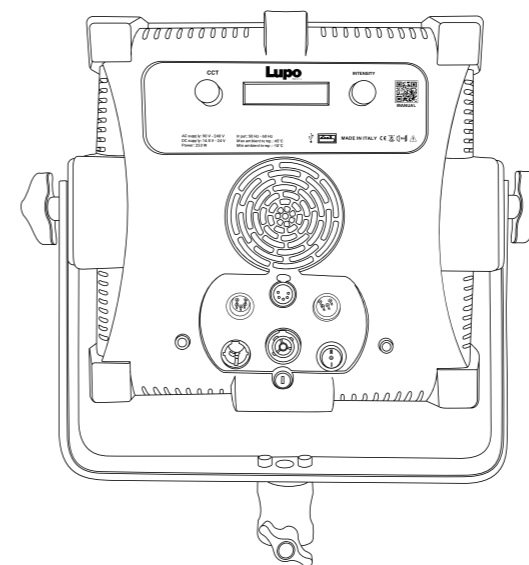
USB PORT

Use USB port for firmware updates.

Update the Firmware

1. Copy the file on an USB Pendrive (FAT32 formatted) in the main root;
2. Switch off the equipment and insert the USB Pendrive;
3. Switch on the equipment;
4. Wait until display backlight flashes (it takes several minutes and red led must toggle for all time long);
5. Switch off the equipment;
6. Extract the Pendrive and switch on the equipment: the firmware is updated.

Package Contents for SuperpanelPRO 30 and UltrapanelPRO 30

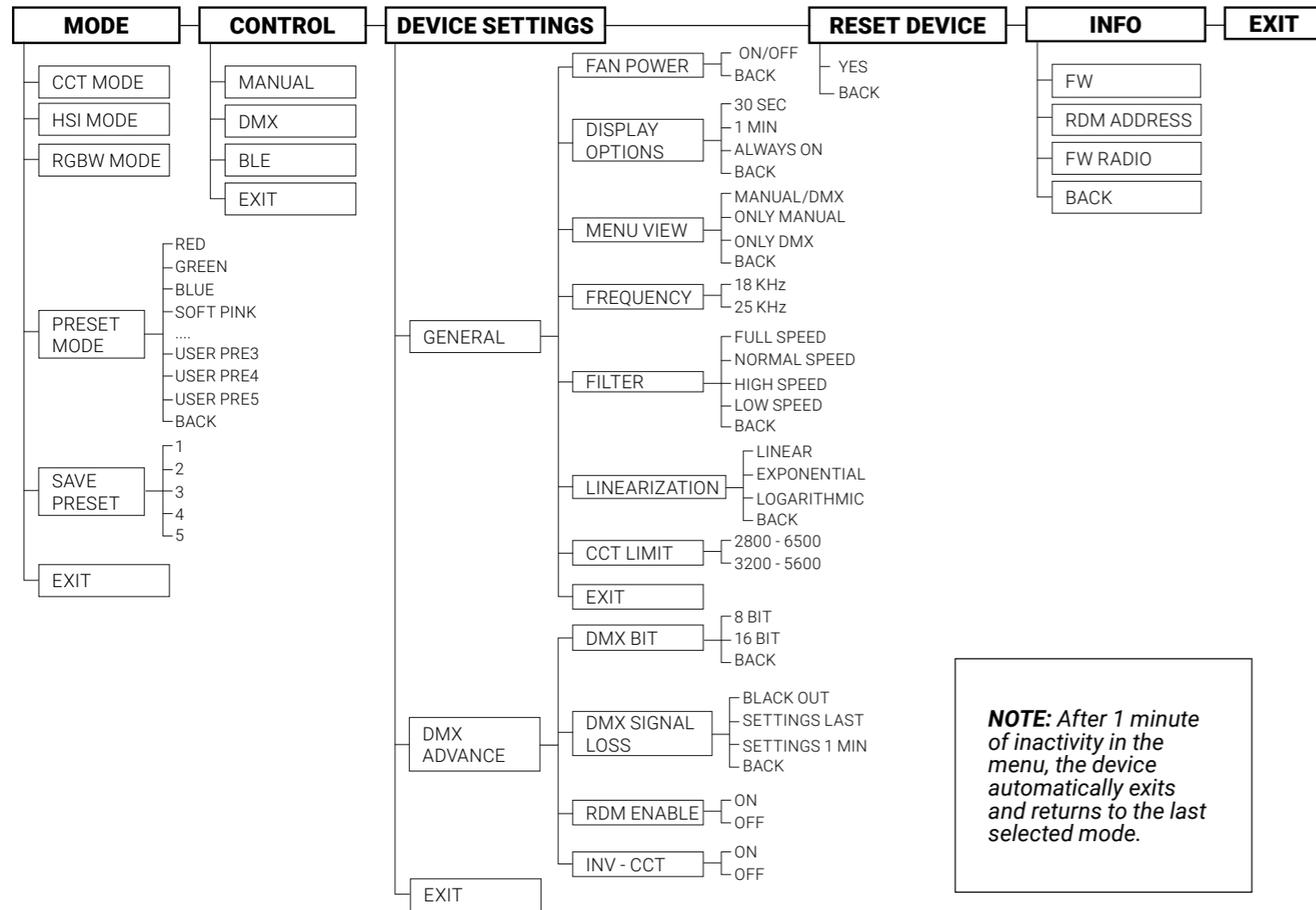


AC Power
Cord Cable

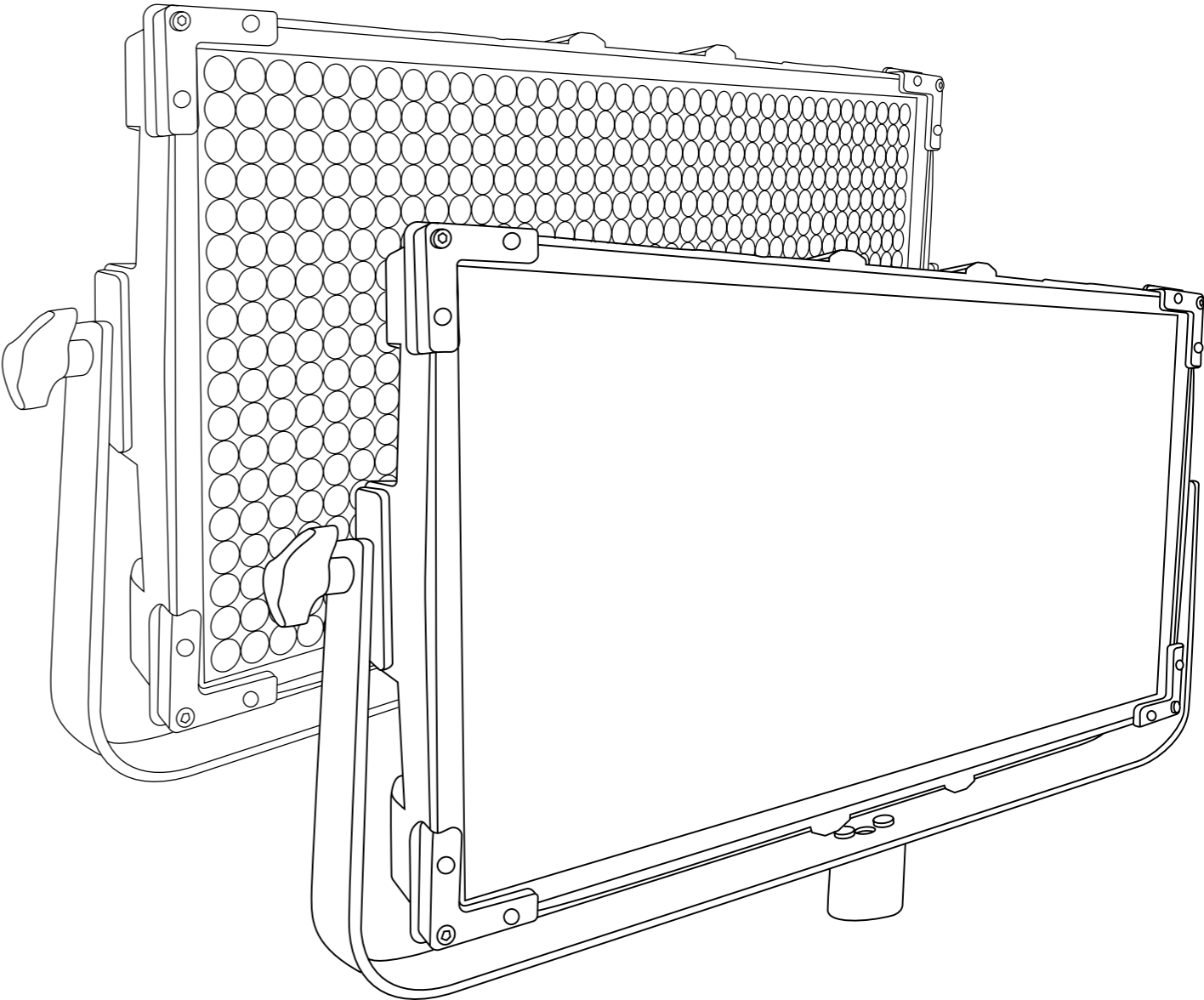
⚠ ATTENTION: Please keep the original package of the product in a safe place for warranty reasons.

MENU e submenus

- Select **"EXIT"** to return to the current mode.
- Select **"BACK"** to return to the previous menu.



NOTE: After 1 minute of inactivity in the menu, the device automatically exits and returns to the last selected mode.



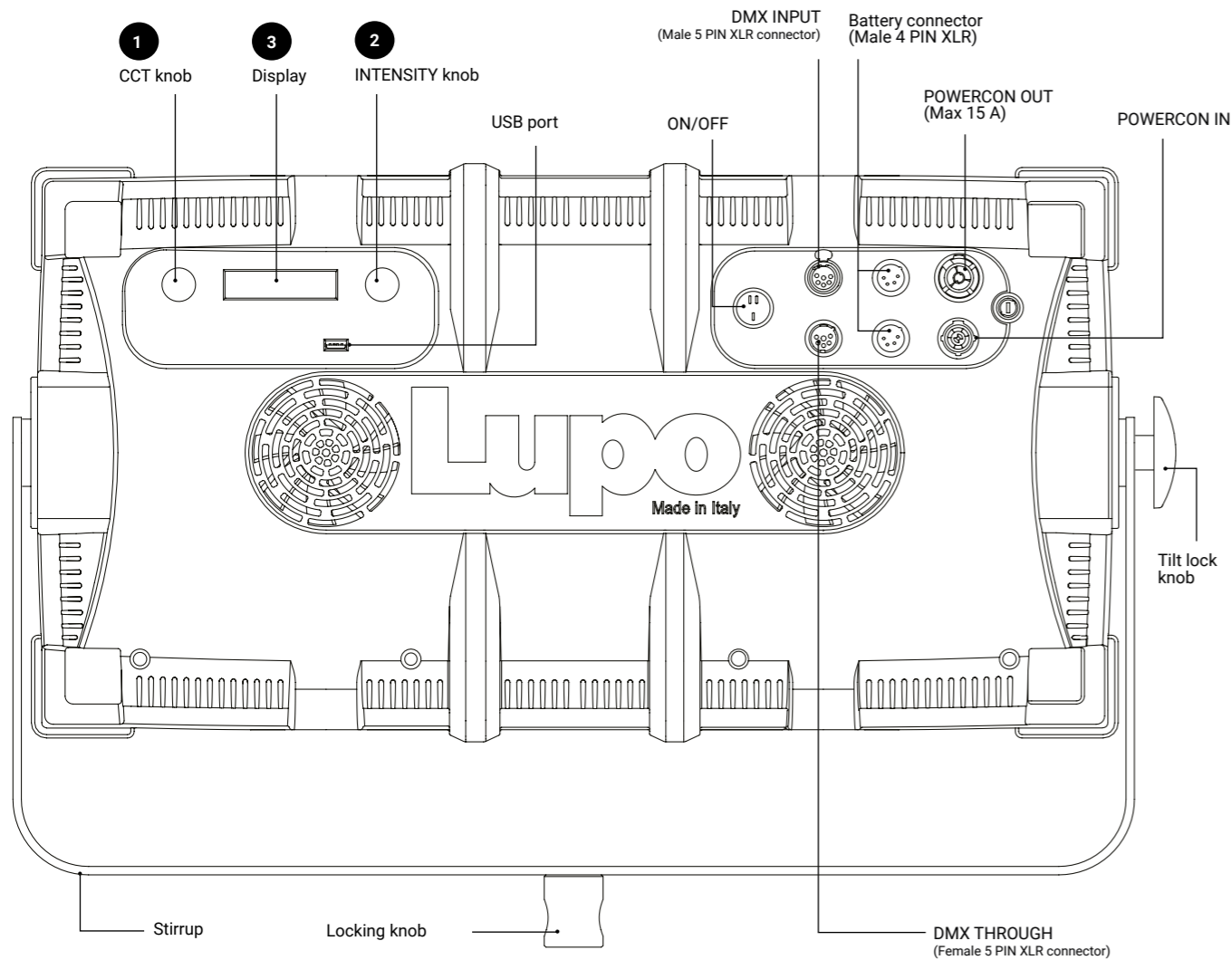
User Manuals

- 804 PRO UltrapanelPRO Dual Color Hard 60
- 814 PRO UltrapanelPRO Dual Color Soft 60
- 404 PRO SuperpanelPRO Dual Color Hard 60
- 414 PRO SuperpanelPRO Dual Color Soft 60

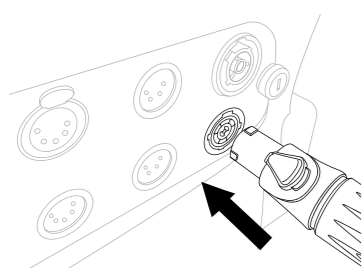
Instructions

- Device for indoor use only.
- Maximum ambient temperature: 40 °C.
- Make sure power supply plug is suitable to power required.
- As prescribed by international regulations, a safety cable must be used when the fixture is suspended from ceiling.
- To switch on the light push the on/off button.
- SuperpanelPRO and UltrapanelPRO models are equipped with new generation high quality poweredleds.

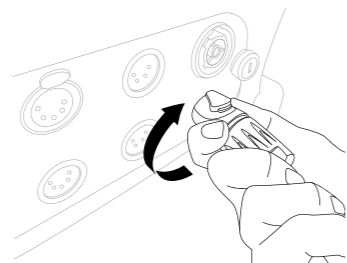
Getting Started with the SuperpanelPRO 60 and the UltrapanelPRO 60



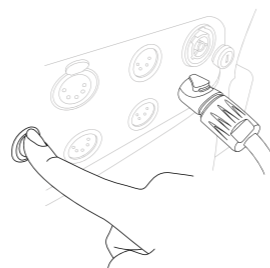
Turning on the SuperpanelPRO 60 and the UltrapanelPRO 60



1 Insert the POWERCON



2 Rotate it by 15° until makes a click



3 Turn ON the power switch:
0 : OFF
I : AC power
II : Battery power

CONTROL PANEL

- In current mode press the 2 push button to enter the main MENU.
- In the sub-menus press the 2 push button to confirm a selection.
- Rotate the 2 knob to navigate in the main MENU and sub-menus.
- Use the « INTENSITY » 2 knob to adjust the **light intensity from 0 to 100%**.
- Use the knob 1 to adjust the light mode parameters.
- Display 3.

⚠ **ATTENTION:** The **light intensity** level is adjustable from **0 - 50%** if the **FAN** is **OFF**. The value on the display flashes.

MODE

1. Press the 2 push button to enter the main MENU.
2. Select **MODE** by pressing the 2 push button.
3. Select the light mode among **CCT** with the 2 knob and press the 2 push button to confirm selection.
4. Select among **CCT** with the 2 knob and press the 2 push button to confirm selection
5. See **LIGHT MODES**.

LIGHT MODES

MODE	INTENSITY 4	CCT/HUE 5	GN/SAT/COLOR 6	« ▾ » 1 « ▸ » 3
CCT	Light Intensity from 0 to 100%	CT 2800K to 10000K	GN -1.00 to +1.00	-

CCT MODE: Warm and cold white control mode. It allows you to adjust colour temperature (CCT), green/magenta compensation (GN) and light intensity. *This is the default setting.*

⚠ **ATTENTION:** Rotating the 1 knob changes the CT value.

DMX OPERATION

1. Press the 2 push button to enter the main MENU.
2. Select **CONTROL** with the 2 knob and press the 2 push button to confirm selection.
3. Select **DMX** with the 2 knob and press the 2 push button to confirm selection.
4. Select the DMX channel, rotating the 1 knob to change DMX ADDRESS in ascending or descending order among 1 and 512. The number shown on the display 3 is the selected channel to communicate with the control desk.
5. See **DMX PROTOCOL MANUAL** for DMX channel specification.

NOTE: The symbol - ! - on the display indicates that there is **no DMX signal**.

BLUETOOTH

1. Press the 2 push button to enter the main MENU.
1. Select **CONTROL** with the 2 knob and press the 2 push button to confirm selection.
2. Select **BLE** with the 2 knob and press the 2 push button to confirm selection.

DMX OPERATION

1. Press the **2** push button to enter the main MENU.
2. Select **CONTROL** with the **2** knob and press the **2** push button to confirm selection.
3. Select **DMX** with the **2** knob and press the **2** push button to confirm selection.
4. Select the DMX channel, rotating the **1** knob to change DMX ADDRESS in ascending or descending order among 1 and 512. The number shown on the display **3** is the selected channel to communicate with the control desk.
5. See **DMX PROTOCOL MANUAL** for DMX channel specification.

NOTE: The symbol - ! - on the display indicates that there is **no DMX signal**.

BLUETOOTH

1. Press the **2** push button to enter the main MENU.
1. Select **CONTROL** with the **2** knob and press the **2** push button to confirm selection.
2. Select **BLE** with the **2** knob and press the **2** push button to confirm selection.

DMX OPERATION - Advanced Settings

1. Press the **2** push button to enter the main MENU.
2. Navigate through the main MENU with the **2** knob until **DEVICE SETTINGS** and press the **2** push button to confirm selection.
3. Rotate the **2** knob to select **DMX ADVANCED**, press the **2** push button to confirm selection.
4. Select one of the options among the **DMX BIT**, **DMX SIGNAL LOSS**, **RDM ENABLE**, **STROBE ENABLE** and **INV CCT** press **2** push button to confirm the selection.

DMX BIT:

Resolution of the DMX control. 8bit 1 channel per function and 16 bit 2 channels per function.

1. Select the **DMX BIT** item by pressing the **2** push button.
2. Rotate the **2** knob to choose between **8bit / 16bit**, press the **2** push button to confirm the selected setting. See **DMX PROTOCOL MANUAL**.

DMX SIGNAL LOSS:

This feature allows to choose the device's behaviour in case of a DMX signal loss.

1. Select the **LOSS DMX SIGNAL** item with the **2** push button
2. Rotate the **2** knob to select the device's behaviour among **BLACK OUT /SETTINGS**

1. **LAST / SETTINGS 1min**, press the **2** push button to confirm the setting.

Black out: The device switches off.

Settings Last: The values of the last selected setting are maintained over time until the device is switched off.

Settings 1min: The values of the last selected settings is maintained for one minute and then the device switch off.

RDM Enable: ON/OFF, enable/disable RDM Protocol

INV CCT: ON/FF: enable/disable reversal CCT console control

DMX Protocol

Introduction

The SuperpanelPRO and UltrapanelPRO can be used with 8 bit or 16 bit DMX control. (See **DMX OPERATION - advanced settings** in the user's manual).

When used in **8 bit mode** the panels uses **one channel for each function**. DMX values for each channel are in the range of 0 to 255.

When used in **16 bit mode** the panels uses **two channels for each function**. The increased resolution offers a smooth dimming and a more accurate color adjustment. DMX values for the first channel (byte 1) are in the range of 256 to 65535 while for the second channel (byte 2) they are in the range of 0 to 255.

▲ ATTENTION: The symbol - ! - on the display indicates that there is **no DMX signal**.

▲ ATTENTION: * If the **STROBE** in the DMX ADVANCED SETTINGS is **enabled**, there are 1 more channel in 8 bit and 2 more channels in 16 bit:

DMX Channel Protocol - 8 bit

MODE	CHANNELS	DMX CHANNEL POSITION	DMX VALUE	VALUE
CCT	3/4*	1. DIMMER	0 - 255	0 - 100 %
		2. COLOR TEMPERATURE	0 - 255	6500 - 2700
		3. *STROBE CONTROL	0 ÷ 5 6 ÷ 255	∅ - 1,00 ÷ + 1,00

DMX Channel Protocol - 16 bit

MODE	CHANNELS	DMX CHANNEL POSITION	DMX VALUE	VALUE
CCT	4/6*	1. DIMMER - byte 1	0 - 65535	0 ÷ 100 %
		2. DIMMER - byte 2		
		3. COLOR TEMPERATURE - byte 1	0 - 65535	6500 - 2700
		4. COLOR TEMPERATURE - byte 2		
		5. *STROBE CONTROL - byte 1	0 ÷ 1300	∅
		6. *STROBE CONTROL - byte 2	1301 ÷ 65535	1 ÷ 25 Hz

RDM Protocol Specification

COMMAND	PID	DESCRIPTION
Manufacturer ID	0x0622	Manufacturer identification number (LUPO Lighting).
Device Identification		
Model ID		Model identification number
	1	Dayled 650 mono color
	2	Dayled 650 dual color
	3	Dayled 1000 mono color
	4	Dayled 1000 dual color
	5	Dayled 2000 mono color
	6	Dayled 2000 dual color
	7	Superpanel 30 dual color soft
	8	Superpanel 30 dual color lens
	9	Superpanel 30 full color soft
	10	Superpanel 30 full color lens
	11	Superpanel 60 dual color soft
	12	Superpanel 60 dual color lens
	13	Superpanel 60 full color soft

	14	Superpanel 60 full color lens
	15	Actionpanel dual color soft
	16	Actionpanel dual color lens
	17	Actionpanel full color soft
	18	Actionpanel full color lens
	19	Kickasspanel dual color
	20	Kickasspanel full color
	21	Lupoled monocolor
	22	Lupoled dualcolor
	23	Movielight monocolor
	24	Movielight dual color
	25	Ultrapanel 30 dual color soft
	26	Ultrapanel 30 dual color lens
	27	Ultrapanel 60 full color soft
	28	Ultrapanel 60 full color lens
	29	Ultrapanel 30 full color soft
	30	Ultrapanel 30 full color lens
	31	Ultrapanel 60 dual color soft
	32	Ultrapanel 60 dual color lens
	33	Dayled 650 PRO Full Color
	34	Dayled 1000 PRO Full Color
	35	Dayled 2000 PRO Full Color
Personality		DMX Personality
	0x01	CCT
Network management		
DISC UNIQUE BRANCH	0x0001	Search RDM devices
DISC MUTE	0x0002	Mute RDM device, no response message
DISC UN MUTE	0x0003	Activate RDM device fo response message
Status collection		
QUEUED MESSAGES	0x0020	Retrieves queued messages or status message if no message is in queue
STATUS MESSAGES	0x0030	Retrieves current Warning/Error messages
RDM Information		
SUPPORTED PARAMETERS	0x0050	Retrieves a list of all supported RDM commands
PARAMETER DESCRIPTION	0x0051	Retrieves a list of all RDM commands
Product Information		
DEVICE INFO	0x0060	Retrieves a variety of information about the device that is normally required by a controller.
DEVICE MODEL DESCRIPTION	0x0080	Text description of up to 32 characters for the device model type.
MANUFACTURER LABEL	0x0081	This parameter provides an ASCII text response with the Manufacturer name for the device. "LUPO" is the default name.
FACTORY DEFAULTS	0x0090	Set the device to its factory defaults. Get: Check if settings still in default state -> 1 if default
SOFTWARE VERSION LABEL	0x00C0	Retrieves software version string of main software

DMX512 Setup		
DMX PERSONALITY	0x00E0	DMX mode
DMX PERSONALITY DESCRIPTION	0x00E1	Shows a description of a DMX-Mode, max 32 characters
DMX START ADDRESS	0x00F0	DMX address
Control		
IDENTIFY DEVICE	0x1000	The identify flag (flashes the light)
Manufacturer Commands		
FAN MODE	0x8001	0: Off 1: On
DISPLAY TIMEOUT	0x8002	0: 30 sec 1: 1 min 2: always on
DMX SIGNAL LOST MODE	0x8003	0: black out 1: last settings on 2: last settings 1 min
DMX BITS	0x8004	0: 8 bit 1: 16 bit
CCT LIMIT	0x8005	0: 2800-10000 1: 3200-5600
LINEARIZATION	0x8006	0: linear 1: exponential 2: logarithmic
FILTER	0x8007	0: full speed 1: normal speed 2: high speed 3: low speed
FREQUENCY	0x8008	0: 18 KHz 1: 25 KHz
INV - CCT	0x8009	0: not inverted 1: inverted

DEVICE SETTINGS

1. Press the **2** push button to enter the main MENU.
2. Navigate through the MENU rotating the **2** button, select **DEVICE SETTINGS**, press the **2** push button to confirm the selection.
3. Navigate through the MENU rotating the **2** button, select **GENERAL**, press the **2** push button to confirm the selection.
4. Navigate through the **FAN POWER / DISPLAY / FREQUENCY / FILTER / LINEARIZATION / CCT LIMIT** functions, rotating the **2** button to select the desired function and press the **2** push button to confirm the selection.
5. Within each function select the option to be activated and rotate the **2** button.

Fan Power: Fan operation **ON / OFF**.

When the fan is **OFF** the **light intensity** be adjustable between **0 and 50%**.

Display: Time during which the display backlight stays on. **30sec / 1min / ALWAYS ON**.

Frequency: Dimmer frequency 18 KHz - 25 KHz

Filter: It is the speed response of the system (smooth factor).

FULL SPEED / NORMAL SPEED / HIGH SPEED / LOW SPEED.

Linearization: Linearization is the compensation curve for the human eye's perception of the luminous intensity emitted as a function of the required power. Required power = dimmer value on the display. **LINEAR / EXPONENTIAL / LOGARITHMIC.**

Linear: No compensation, the intensity of the light is directly proportional to requested power.

Exponential: The light intensity increases from 0 to 100 exponentially.

Logarithmic: The light intensity increases from 0 to 100 logarithmically.

CCT Limit: CCT range 2800 - 6500 or 3200 - 5600

RESET DEVICE

1. Press the « **OK** » **2** button to enter the main MENU.
2. Select **RESET DEVICE** rotating the **2** button, press the **2** push button to confirm the selection.
3. Select **YES** rotating the **2** button, press the **2** push button to confirm the selection.
4. The device ask for further confirmation, select **YES** by pressing the press the **2** push button. **THE DEVICE RETURNS TO FACTORY DEFAULT SETTINGS.**

FACTORY DEFAULT SETTING	
MODE	DEVICE SETTINGS
CCT	FAN: ON
DMX OPERATION	DISPLAY: 1 min
BIT: 8 BIT	FILTER : Normal speed
DMX SIGNAL LOSS: Settings 1 MIN	LINEARIZATION: Linear
RDM ENABLE: OFF	FREQUENCY: 18 KHz
INV - CCT: OFF	CONTROL
	Manual

DMX OPERATION - DMX protocol

The SuperpanelPRO and the UltranelPRO can be used with **8 bit** (1 channel per function) and **16 bit** (2 channels per function). The SuperpanelPRO and the UltranelPRO uses consecutive channels starting from the DMX address set on the panel used as reference for the connection to the control desk. Please take the above into consideration when using many units of SuperpanelPRO and the UltranelPRO to avoid overlaps.

▲ ATTENTION: * If the **STROBE** in the DMX ADVANCED SETTINGS is enabled, there are 1 more channel in 8 bit and 2 more channels in 16 bit:

DMX Channel Protocol - 8 bit

MODE	CHANNELS	DMX CHANNEL POSITION	DMX VALUE	VALUE
CCT	2	1. DIMMER	0 - 255	0 - 100 %
		2. COLOR TEMPERATURE	0 - 255	6500 - 2700

DMX Channel Protocol - 16 bit

MODE	CHANNELS	DMX CHANNEL POSITION	DMX VALUE	VALUE
CCT	4	1. DIMMER - byte 1	0 - 65535	0 ÷ 100 %
		2. DIMMER - byte 2		
		3. COLOR TEMPERATURE - byte 1	0 - 65535	6500 - 2700
		4. COLOR TEMPERATURE - byte 2		

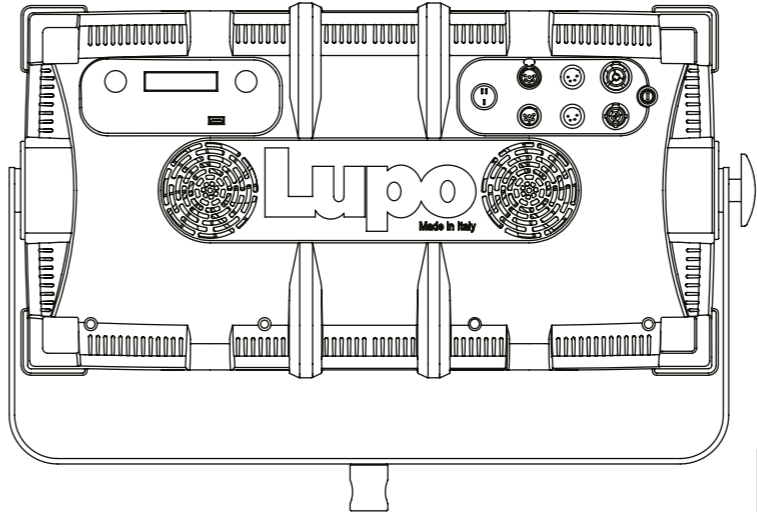
USB port

Use USB port for firmware updates.

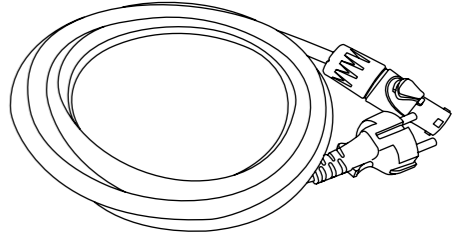
Update the Firmware

1. Copy the file on an USB Pendrive (FAT32 formatted) in the main root;
2. Switch off the equipment and insert the USB Pendrive;
3. Switch on the equipment;
4. Wait until display backlight flashes (it takes several minutes and red led must toggle for all time long);
5. Switch off the equipment;
6. Extract the Pendrive and switch on the equipment: the firmware is updated.

Package Contents for SuperpanelPRO 60 and UltranelPRO 60



SuperpanelPRO 60 / UltranelPRO 60

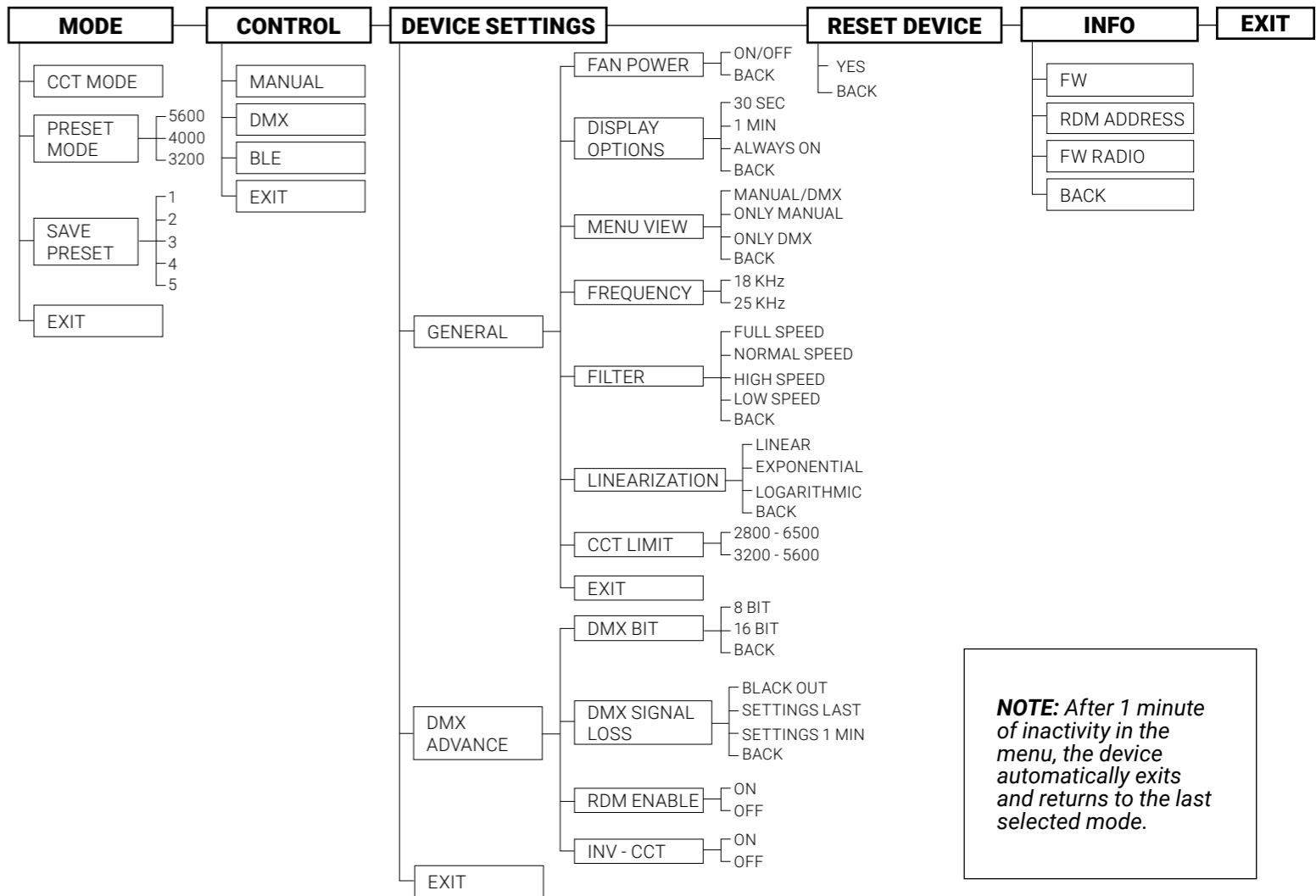


AC Power Cord Cable

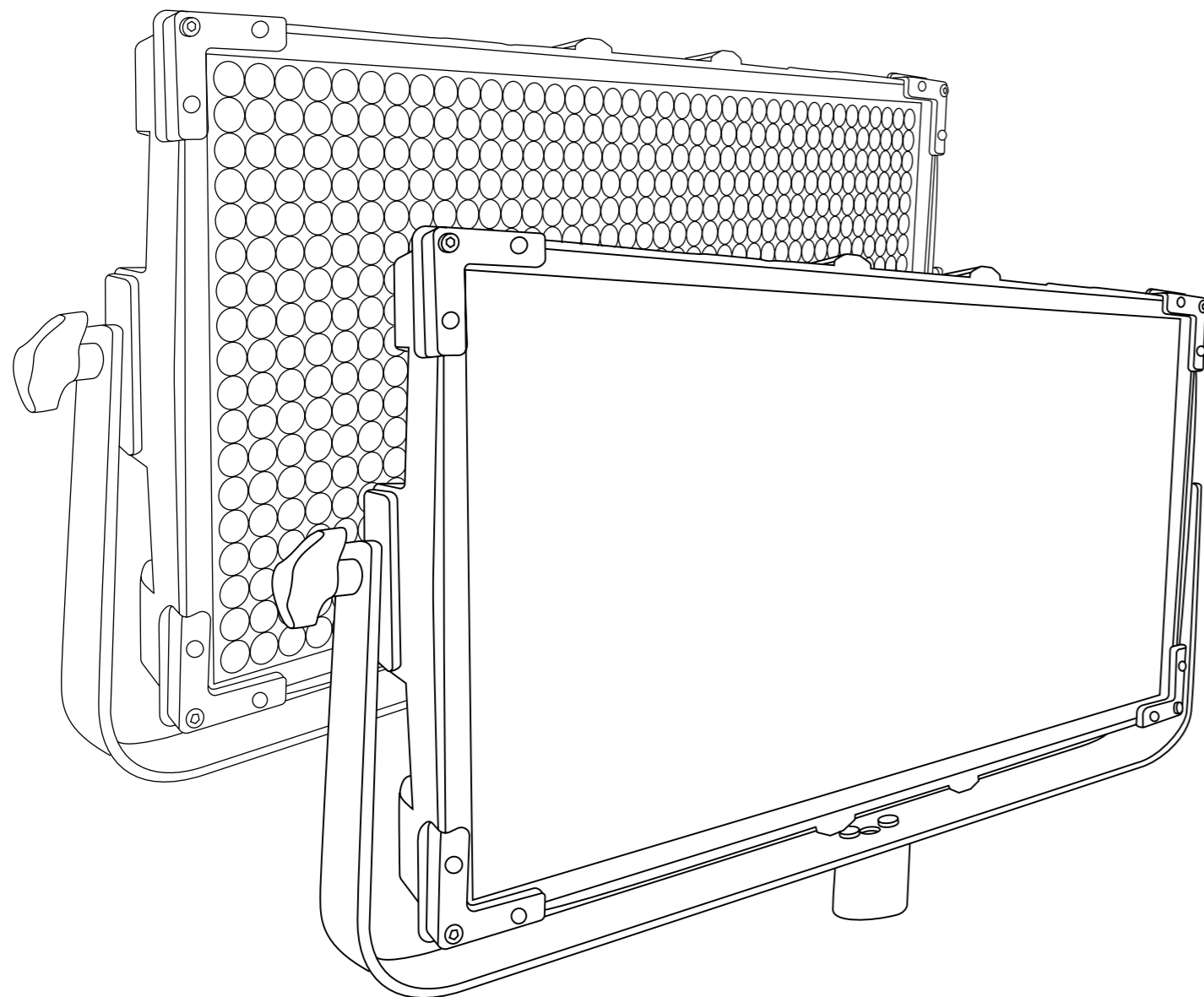
▲ ATTENTION: Please keep the original package of the product in a safe place for warranty reasons.

MENU e submenus

- Select **"EXIT"** to return to the current mode.
- Select **"BACK"** to return to the previous menu.



NOTE: After 1 minute of inactivity in the menu, the device automatically exits and returns to the last selected mode.



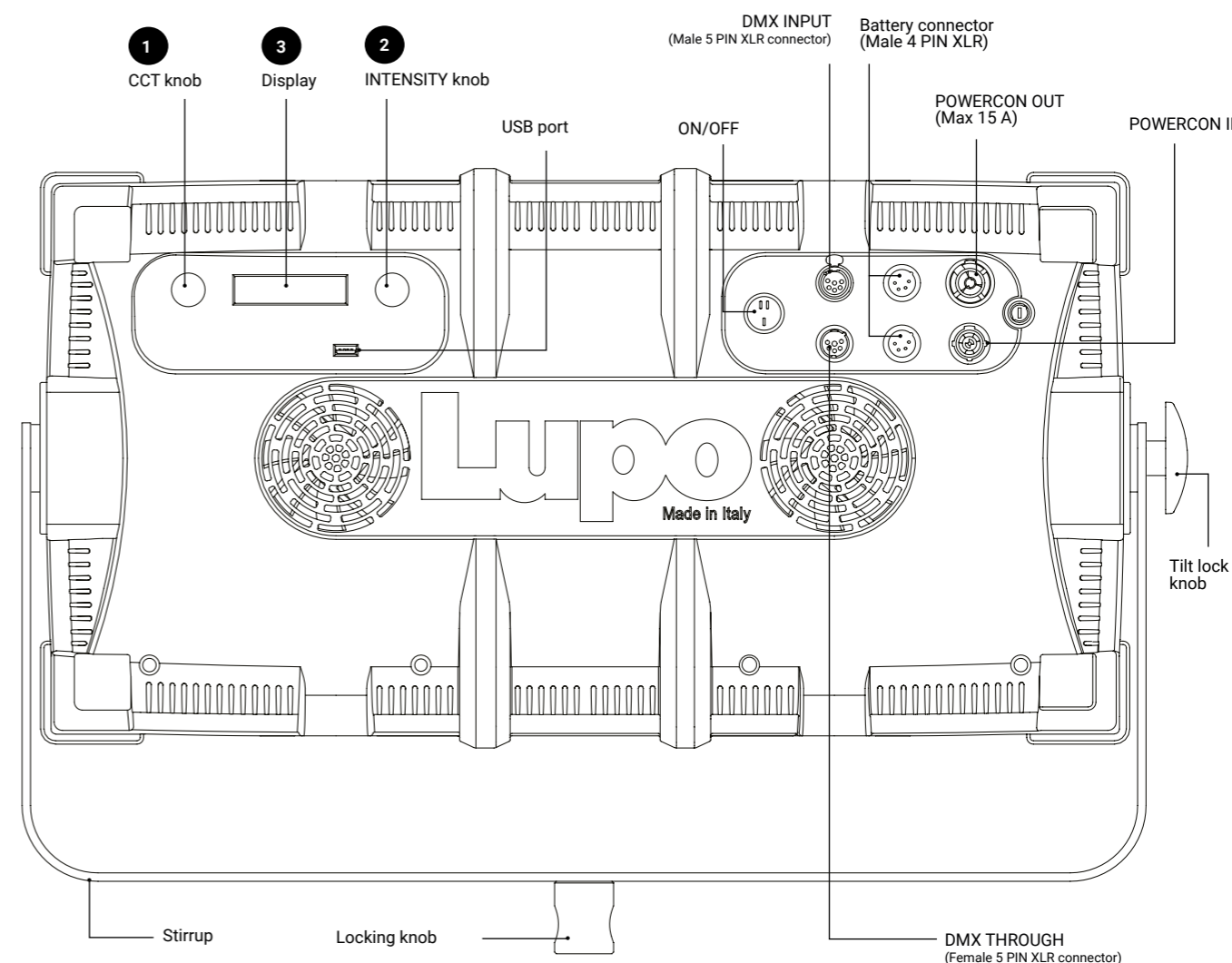
User Manuals

- 818 PRO UltranelPRO Full Color Hard 60
- 816 PRO UltranelPRO Full Color Soft 60
- 419 PRO SuperpanelPRO Full Color Hard 60
- 416 PRO SuperpanelPRO Full Color Soft 60

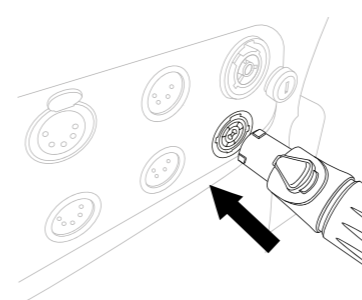
Instructions

- Device for indoor use only.
- Maximum ambient temperature: 40 °C.
- Make sure power supply plug is suitable to power required.
- As prescribed by international regulations, a safety cable must be used when the fixture is suspended from ceiling.
- To switch on the light push the on/off button.
- SuperpanelPRO and UltranelPRO models are equipped with new generation high quality powerleds.

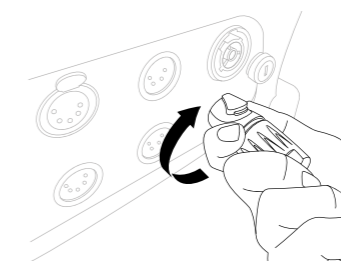
Getting Started with the SuperpanelPRO 60 and the UltranelPRO 60



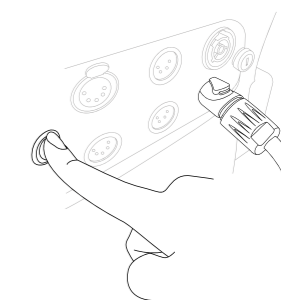
Turning on the SuperpanelPRO 60 and the UltranelPRO 60



1 Insert the POWERCON



2 Rotate it by 15° until makes a click



3 Turn ON the power switch:
 0 : OFF
 I : AC power
 II : Battery power

CONTROL PANEL

- In current mode press the ② push button to enter the main MENU.
- In the sub-menus press the ② push button to confirm a selection.
- Rotate the ② knob to navigate in the main MENU and sub-menus.
- Use the « INTENSITY » ② knob to adjust the *light intensity from 0 to 100%*.
- Use the knob ① to adjust the light mode parameters.
- Display ③.

⚠ **ATTENTION:** The **light intensity** level is adjustable from **0 - 50%** if the **FAN** is **OFF**. The value on the display flashes.

MODE

1. Press the ② push button to enter the main MENU.
2. Select **MODE** by pressing the ② push button.
3. Select the light mode among **CCT** with the ② knob and press the ② push button to confirm selection.
4. Select among **CCT / HSI / RGBW / PRESET / EFFECT / SAVE PRESET** with the ② knob and press the ② push button to confirm selection
5. See **LIGHT MODES**.

LIGHT MODES

MODE	INTENSITY ④	CCT/HUE ⑤	GN/SAT/COLOR ⑥	« ▾ » ① « ▸ » ③
CCT	Light Intensity from 0 to 100%	CT 2800K to 10000K	GN -1.00 to +1.00	-
HSI		HUE 0° to 100°	SAT 0 to 100%	-
RGBW		-	Select function R/G/B/W/CT/GN	Change values of the function
PRESET		-	-	Change Preset

CCT MODE: Warm and cold white control mode. It allows you to adjust colour temperature (CCT), green/magenta compensation (GN) and light intensity. *This is the default setting.*

⚠ **ATTENTION:** Rotating the ① knob changes the CT value- Pressing ① button select GN value that can be changed by rotating the same ① knob.

DMX OPERATION

1. Press the ② push button to enter the main MENU.
2. Select **CONTROL** with the ② knob and press the ② push button to confirm selection.
3. Select **DMX** with the ② knob and press the ② push button to confirm selection.
4. Select the DMX channel, rotating the ① knob to change DMX ADDRESS in ascending or descending order among 1 and 512. The number shown on the display ③ is the selected channel to communicate with the control desk.
5. See **DMX PROTOCOL MANUAL** for DMX channel specification.

NOTE: The symbol - ! - on the display indicates that there is **no DMX signal**.

BLUETOOTH

1. Press the ② push button to enter the main MENU.
1. Select **CONTROL** with the ② knob and press the ② push button to confirm selection.
2. Select **BLE** with the ② knob and press the ② push button to confirm selection.

DMX OPERATION - Advanced Settings

1. Press the ② push button to enter the main MENU.
2. Navigate through the main MENU with the ② knob until **DEVICE SETTINGS** and press the ② push button to confirm selection.
3. Rotate the ② knob to select **DMX ADVANCED**, press the ② push button to confirm selection.
4. Select one of the options among the **DMX BIT**, **DMX SIGNAL LOSS**, **RDM ENABLE**, **STROBE ENABLE** and **INV CCT** press ② push button to confirm the selection.

DMX BIT:

Resolution of the DMX control. 8bit 1 channel per function and 16 bit 2 channels per function.

1. Select the **DMX BIT** item by pressing the ② push button.
2. Rotate the ② knob to choose between **8bit / 16bit**, press the ② push button to confirm the selected setting. See **DMX PROTOCOL MANUAL**.

DMX SIGNAL LOSS:

This feature allows to choose the device's behaviour in case of a DMX signal loss.

1. Select the **LOSS DMX SIGNAL** item with the ② push button
2. Rotate the ② knob to select the device's behaviour among **BLACK OUT /SETTINGS LAST / SETTINGS 1min**, press the ② push button to confirm the setting.

Black out: The device switches off.

Settings Last: The values of the last selected setting are maintained over time until the device is switched off.

Settings 1min: The values of the last selected settings is maintained for one minute and then the device switch off.

RDM Enable: ON/OFF, enable/disable RDM Protocol

INV CCT: ON/FF: enable/disable reversal CCT console control

DMX Protocol

Introduction

The SuperpanelPRO and UltrapanelPRO can be used with 8 bit or 16 bit DMX control. (See **DMX OPERATION - advanced settings** in the user's manual).

When used in **8 bit mode** the panels uses **one channel for each function**. DMX values for each channel are in the range of 0 to 255.

When used in **16 bit mode** the panels uses **two channels for each function**. The increased resolution offers a smooth dimming and a more accurate color adjustment. DMX values for the first channel (byte 1) are in the range of 256 to 65535 while for the second channel (byte 2) they are in the range of 0 to 255.

⚠ **ATTENTION:** The symbol - ! - on the display indicates that there is **no DMX signal**.

⚠ **ATTENTION:** * If the **STROBE** in the DMX ADVANCED SETTINGS is enabled, there are 1 more channel in 8 bit and 2 more channels in 16 bit:

DMX Channel Protocol - 8 bit

MODE	CHANNELS	DMX CHANNEL POSITION	DMX VALUE	VALUE
CCT	3/4*	1. DIMMER	0 - 255	0 - 100 %
		2. COLOR TEMPERATURE	0 - 255	6500 - 2700
		3. GN COMPENSATION	0 ÷ 5	∅
			6 ÷ 255	-1,00 ÷ +1,00
HSI	3/4*	1. DIMMER	0 - 255	0 ÷ 100 %
		2. HUE	0 ÷ 253	0 ÷ 360
		3. SATURATION	0 ÷ 255	0 ÷ 100 %
		4. *STROBE CONTROL	0 ÷ 255	0 - 25 Hz
RGBW	7/8*	1. DIMMER	0 - 255	0 ÷ 100 %
		2. RED	0 ÷ 255	0 ÷ 100 %
		3. GREEN	0 ÷ 255	0 ÷ 100 %
		4. BLUE	0 ÷ 255	0 ÷ 100 %
		5. WHITE	0 ÷ 255	0 ÷ 100 %
		6. COLOR TEMPERATURE	0 - 255	6500 - 2700
		7. GN COMPENSATION	0 ÷ 5	∅
			6 ÷ 255	-1.00 ÷ +1.00
FRGBW	7/8*	1. DIMMER	0 - 255	0 ÷ 100 %
		2. RED	0 ÷ 255	0 ÷ 100 %
		3. GREEN	0 ÷ 255	0 ÷ 100 %
		4. BLUE	0 ÷ 255	0 ÷ 100 %
		5. WHITE	0 ÷ 255	0 ÷ 100 %
		6. COLOR TEMPERATURE	0 - 255	6500 - 2700
		7. GN COMPENSATION	0 ÷ 5	∅
			6 ÷ 255	-1.00 ÷ +1.00
PRESET	3/4*	1. DIMMER	0 - 255	0 ÷ 100 %
		2. PRESET	0 ÷ 255	0 ÷ N PRESET
		3. PRESET FREEZE	0 - 50	NO FREEZE
			200 ÷ 255	FREEZE
4. * STROBE CONTROL	0 ÷ 255	0 - 25 Hz		

DMX Channel Protocol - 16 bit

MODE	CHANNELS	DMX CHANNEL POSITION	DMX VALUE	VALUE
CCT	6/8*	1. DIMMER - byte 1	0 - 65535	0 ÷ 100 %
		2. DIMMER - byte 2		
		3. COLOR TEMPERATURE - byte 1	0 - 65535	6500 - 2700
		4. COLOR TEMPERATURE - byte 2		
		5. GN COMPENSATION - byte 1	0 ÷ 500	∅
		6. GN COMPENSATION - byte 2	501 ÷ 65535	-1.00 ÷ +1.00
		7. *STROBE CONTROL - byte 1	0 ÷ 1300	∅
		8. *STROBE CONTROL - byte 2	1301 ÷ 65535	1 ÷ 25 Hz
HSI	6/8*	1. DIMMER - byte 1	0 - 65535	0 ÷ 100 %
		2. DIMMER - byte 2		
		3. HUE - byte 1	0 ÷ 65535	0 ÷ 360
		4. HUE - byte 2		
		5. SATURATION - byte 1	0 ÷ 65535	0 ÷ 100%
		6. SATURATION - byte 2		
		7. *STROBE CONTROL - byte 1	0 ÷ 1300	∅
		8. *STROBE CONTROL - byte 2	1301 ÷ 65535	1 ÷ 25 Hz

RGBW	14/16*	1. DIMMER - byte 1	0 - 65535	0 ÷ 100 %
		2. DIMMER - byte 2		
		3. RED - byte 1	0 - 65535	0 ÷ 100 %
		4. RED - byte 2		
		5. GREEN - byte 1	0 + 65535	0 ÷ 100 %
		6. GREEN - byte 2		
		7. BLUE - byte 1	0 + 65535	0 ÷ 100 %
		8. BLUE - byte 2		
		9. WHITE - byte 1	0 + 65535	0 ÷ 100 %
		10. WHITE - byte 2		
		11. COLOR TEMPERAT. - byte 1	0 - 65535	6500 - 2700
		12. COLOR TEMPERAT. - byte 2		
		13. GN COMPENSATION - byte 1	0 ÷ 500	∅
		14. GN COMPENSATION - byte 2	501 ÷ 65535	-1,00 ÷ +1,00
		15. *STROBE CONTROL - byte 1	0 ÷ 1300	∅
		16. *STROBE CONTROL - byte 2	1301 ÷ 65535	1 ÷ 25 Hz
FRGBW	14/16*	1. DIMMER - byte 1	0 - 65535	0 ÷ 100 %
		2. DIMMER - byte 2		
		3. RED - byte 1	0 ÷ 65535	0 ÷ 100 %
		4. RED - byte 2		
		5. GREEN - byte 1	0 ÷ 65535	0 ÷ 100 %
		6. GREEN - byte 2		
		7. BLUE - byte 1	0 ÷ 65535	0 ÷ 100 %
		8. BLUE - byte 2		
		9. WHITE - byte 1	0 ÷ 65535	0 ÷ 100 %
		10. WHITE - byte 2		
		11. COLOR TEMPERAT. - byte 1	0 - 65535	6500 - 2700
		12. COLOR TEMPERAT. - byte 2		
		13. GN COMPENSATION - byte 1	0 ÷ 500	∅
		14. GN COMPENSATION - byte 2	501 ÷ 65535	-1,00 ÷ +1,00
		15. *STROBE CONTROL - byte 1	0 ÷ 1300	∅
		16. *STROBE CONTROL - byte 2	1301 ÷ 65535	1 ÷ 25 Hz
PRESET	6/8*	1. DIMMER - byte 1	0 - 65535	0 ÷ 100 %
		2. DIMMER - byte 2		
		3. PRESET - byte 1	0 ÷ 65535	0 ÷ N PRESET
		4. PRESET - byte 2		
		5. PRESET FREEZE - byte 1	0 - 12800 > no freeze	51200 ÷ 65535 freeze
		6. PRESET FREEZE - byte 2		
		7. *STROBE CONTROL - byte 1	0 ÷ 1300	∅
		8. *STROBE CONTROL - byte 2	1301 ÷ 65535	1 ÷ 25 Hz

RDM Protocol Specification

COMMAND	PID	DESCRIPTION
Manufacturer ID	0x0622	Manufacturer identification number (LUPO Lighting).
Device Identification		
Model ID		Model identification number
	1	Dayled 650 mono color
	2	Dayled 650 dual color
	3	Dayled 1000 mono color

	4	Dayled 1000 dual color
	5	Dayled 2000 mono color
	6	Dayled 2000 dual color
	7	Superpanel 30 dual color soft
	8	Superpanel 30 dual color lens
	9	Superpanel 30 full color soft
	10	Superpanel 30 full color lens
	11	Superpanel 60 dual color soft
	12	Superpanel 60 dual color lens
	13	Superpanel 60 full color soft
	14	Superpanel 60 full color lens
	15	Actionpanel dual color soft
	16	Actionpanel dual color lens
	17	Actionpanel full color soft
	18	Actionpanel full color lens
	19	Kickasspanel dual color
	20	Kickasspanel full color
	21	Lupoled monocolour
	22	Lupoled dualcolor
	23	Movielight monocolour
	24	Movielight dual color
	25	Ultrapanel 30 dual color soft
	26	Ultrapanel 30 dual color lens
	27	Ultrapanel 60 full color soft
	28	Ultrapanel 60 full color lens
	29	Ultrapanel 30 full color soft
	30	Ultrapanel 30 full color lens
	31	Ultrapanel 60 dual color soft
	32	Ultrapanel 60 dual color lens
	33	Dayled 650 PRO Full Color
	34	Dayled 1000 PRO Full Color
	35	Dayled 2000 PRO Full Color
Personality		DMX Personality
	0x01	CCT
Network management		
DISC UNIQUE BRANCH	0x0001	Search RDM devices
DISC MUTE	0x0002	Mute RDM device, no response message
DISC UN MUTE	0x0003	Activate RDM device fo response message
Status collection		
QUEUED MESSAGES	0x0020	Retrieves queued messages or status message if no message is in queue
STATUS MESSAGES	0x0030	Retrieves current Warning/Error messages
RDM Information		
SUPPORTED PARAMETERS	0x0050	Retrieves a list of all supported RDM commands
PARAMETER DESCRIPTION	0x0051	Retrieves a list of all RDM commands

Product Information		
DEVICE INFO	0x0060	Retrieves a variety of information about the device that is normally required by a controller.
DEVICE MODEL DESCRIPTION	0x0080	Text description of up to 32 characters for the device model type.
MANUFACTURER LABEL	0x0081	This parameter provides an ASCII text response with the Manufacturer name for the device. "LUPO" is the default name.
FACTORY DEFAULTS	0x0090	Set the device to its factory defaults. Get: Check if settings still in default state -> 1 if default
SOFTWARE VERSION LABEL	0x00C0	Retrieves software version string of main software
DMX512 Setup		
DMX PERSONALITY	0x00E0	DMX mode
DMX PERSONALITY DESCRIPTION	0x00E1	Shows a description of a DMX-Mode, max 32 characters
DMX START ADDRESS	0x00F0	DMX address
Control		
IDENTIFY DEVICE	0x1000	The identify flag (flashes the light)
Manufacturer Commands		
FAN MODE	0x8001	0: Off 1: On
DISPLAY TIMEOUT	0x8002	0: 30 sec 1: 1 min 2: always on
DMX SIGNAL LOST MODE	0x8003	0: black out 1: last settings on 2: last settings 1 min
DMX BITS	0x8004	0: 8 bit 1: 16 bit
CCT LIMIT	0x8005	0: 2800-10000 1: 3200-5600
LINEARIZATION	0x8006	0: linear 1: exponential 2: logarithmic
FILTER	0x8007	0: full speed 1: normal speed 2: high speed 3: low speed
FREQUENCY	0x8008	0: 18 KHz 1: 25 KHz
INV - CCT	0x8009	0: not inverted 1: inverted

DEVICE SETTINGS

- Press the **2** push button to enter the main MENU.
- Navigate through the MENU rotating the **2** button, select **DEVICE SETTINGS**, press the **2** push button to confirm the selection.
- Navigate through the MENU rotating the **2** button, select **GENERAL**, press the **2** push button to confirm the selection.
- Navigate through the **FAN POWER / DISPLAY / FREQUENCY / FILTER / LINEARIZATION / CCT LIMIT** functions, rotating the **2** button to select the desired function and press the **2** push button to confirm the selection.
- Within each function select the option to be activated and rotate the **2** button.

Fan Power: Fan operation **ON / OFF**.

When the fan is **OFF** the **light intensity** be adjustable between **0 and 50%**.

Display: Time during which the display backlight stays on. **30sec / 1min / ALWAYS ON**.

Frequency: Dimmer frequency 18 KHz - 25 KHz

Filter: It is the speed response of the system (smooth factor).

FULL SPEED / NORMAL SPEED / HIGH SPEED / LOW SPEED.

Linearization: Linearization is the compensation curve for the human eye's perception of the luminous intensity emitted as a function of the required power. Required power = dimmer value on the display. **LINEAR / EXPONENTIAL / LOGARITHMIC.**

Linear: No compensation, the intensity of the light is directly proportional to requested power.

Exponential: The light intensity increases from 0 to 100 exponentially.

Logarithmic: The light intensity increases from 0 to 100 logarithmically.

CCT Limit: CCT range 2800 - 6500 or 3200 - 5600

RESET DEVICE

1. Press the « **OK** » **2** button to enter the main MENU.
2. Select **RESET DEVICE** rotating the **2** button, press the **2** push button to confirm the selection.
3. Select **YES** rotating the **2** button, press the **2** push button to confirm the selection.
4. The device ask for further confirmation, select **YES** by pressing the press the **2** push button. **THE DEVICE RETURNS TO FACTORY DEFAULT SETTINGS.**

FACTORY DEFAULT SETTING	
MODE	DEVICE SETTINGS
CCT	FAN: ON
DMX OPERATION	DISPLAY: 1 min
BIT: 8 BIT	FILTER : Normal speed
DMX SIGNAL LOSS: Settings 1 MIN	LINEARIZATION: Linear
RDM ENABLE: OFF	FREQUENCY: 18 KHz
INV - CCT: OFF	CONTROL
	Manual

DMX OPERATION - DMX protocol

The SuperpanelPRO and the UltranelPRO can be used with **8 bit** (1 channel per function) and **16 bit** (2 channels per function). The SuperpanelPRO and the UltranelPRO uses consecutive channels starting from the DMX address set on the panel used as reference for the connection to the control desk. Please take the above into consideration when using many units of SuperpanelPRO and the UltranelPRO to avoid overlaps.

▲ ATTENTION: * If the **STROBE** in the DMX ADVANCED SETTINGS is enabled, there are 1 more channel in 8 bit and 2 more channels in 16 bit:

DMX Channel Protocol - 8 bit

MODE	CHANNELS	DMX CHANNEL POSITION	DMX VALUE	VALUE
CCT	2/3*	1. DIMMER	0 - 255	0 - 100 %
		2. COLOR TEMPERATURE	0 - 255	6500 - 2700
		3. *STROBE CONTROL	0 ÷ 255	∅

DMX Channel Protocol - 16 bit

MODE	CHANNELS	DMX CHANNEL POSITION	DMX VALUE	VALUE
CCT	6/8	1. DIMMER - byte 1	0 - 65535	0 ÷ 100 %
		2. DIMMER - byte 2		
		3. COLOR TEMPERATURE - byte 1	0 - 65535	6500 - 2700
		4. COLOR TEMPERATURE - byte 2		
		5. GN COMPENSATION - byte 1	0 ÷ 500	∅
		6. GN COMPENSATION - byte 2	501 ÷ 65535	-1,00 ÷ +1,00
		7. *STROBE CONTROL - byte 1	0 ÷ 255	0-25 HZ
		8. *STROBE CONTROL - byte 2		

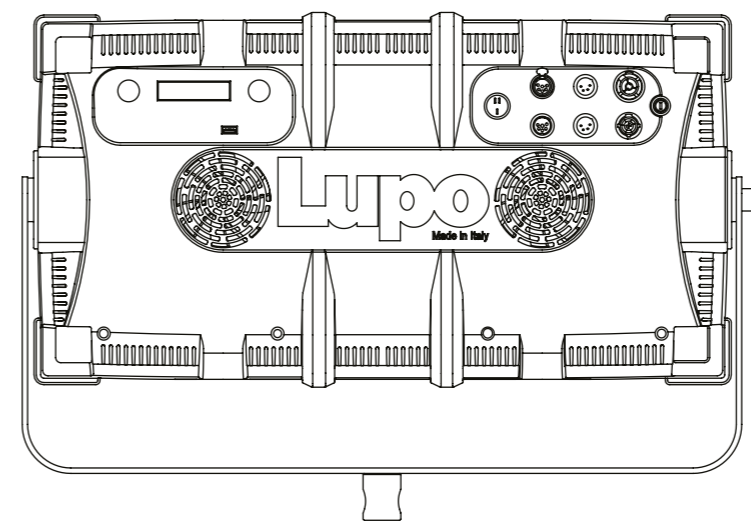
USB port

Use USB port for firmware updates.

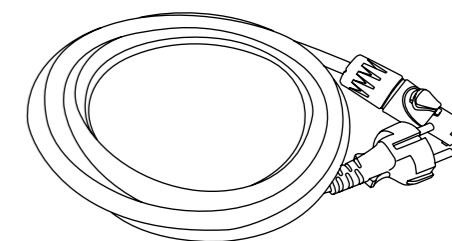
Update the Firmware

1. Copy the file on an USB Pendrive (FAT32 formatted) in the main root;
2. Switch off the equipment and insert the USB Pendrive;
3. Switch on the equipment;
4. Wait until display backlight flashes (it takes several minutes and red led must toggle for all time long);
5. Switch off the equipment;
6. Extract the Pendrive and switch on the equipment: the firmware is updated.

Package Contents for SuperpanelPRO 60 and UltranelPRO 60



SuperpanelPRO 60 / UltranelPRO 60

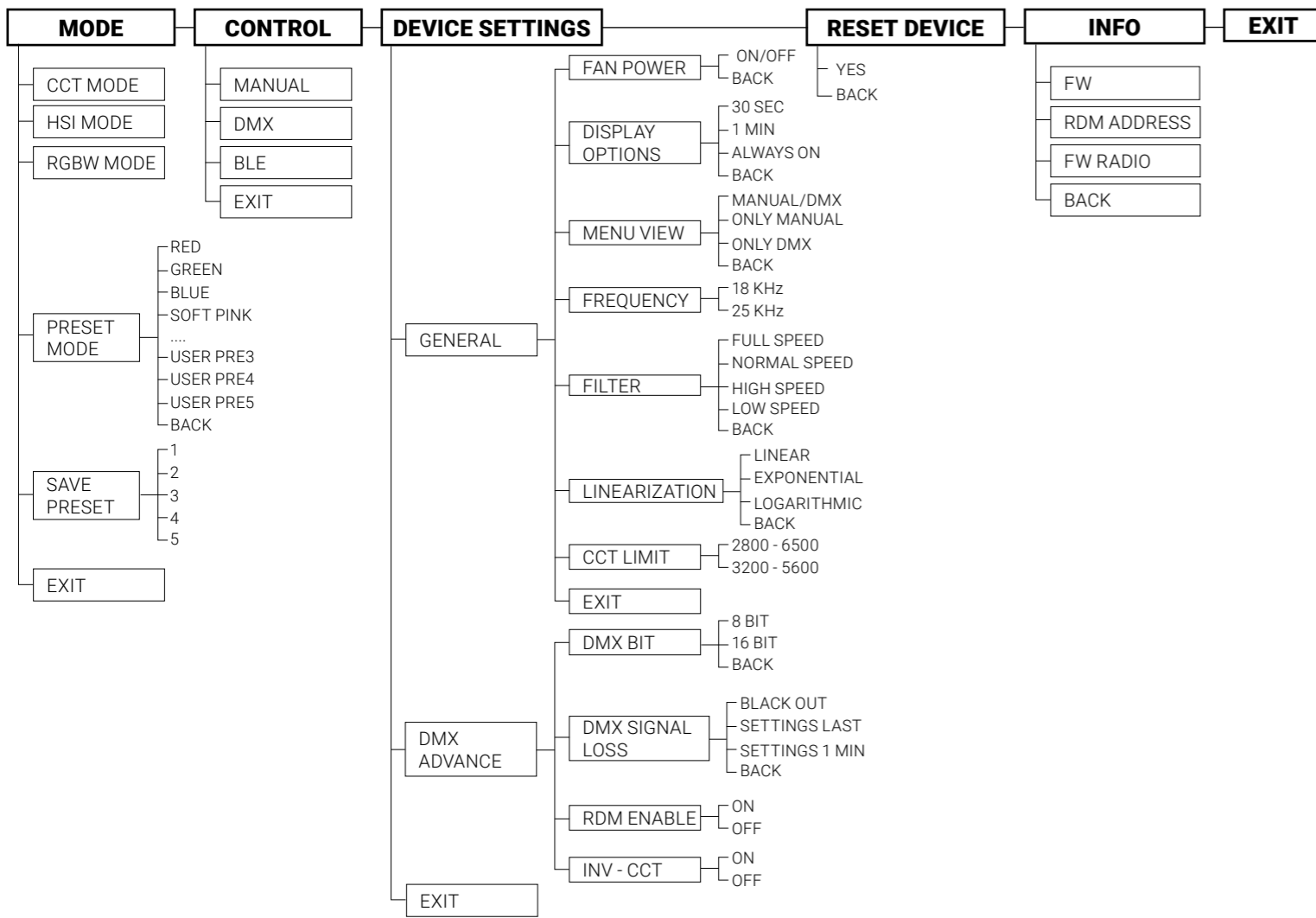


AC Power Cord Cable

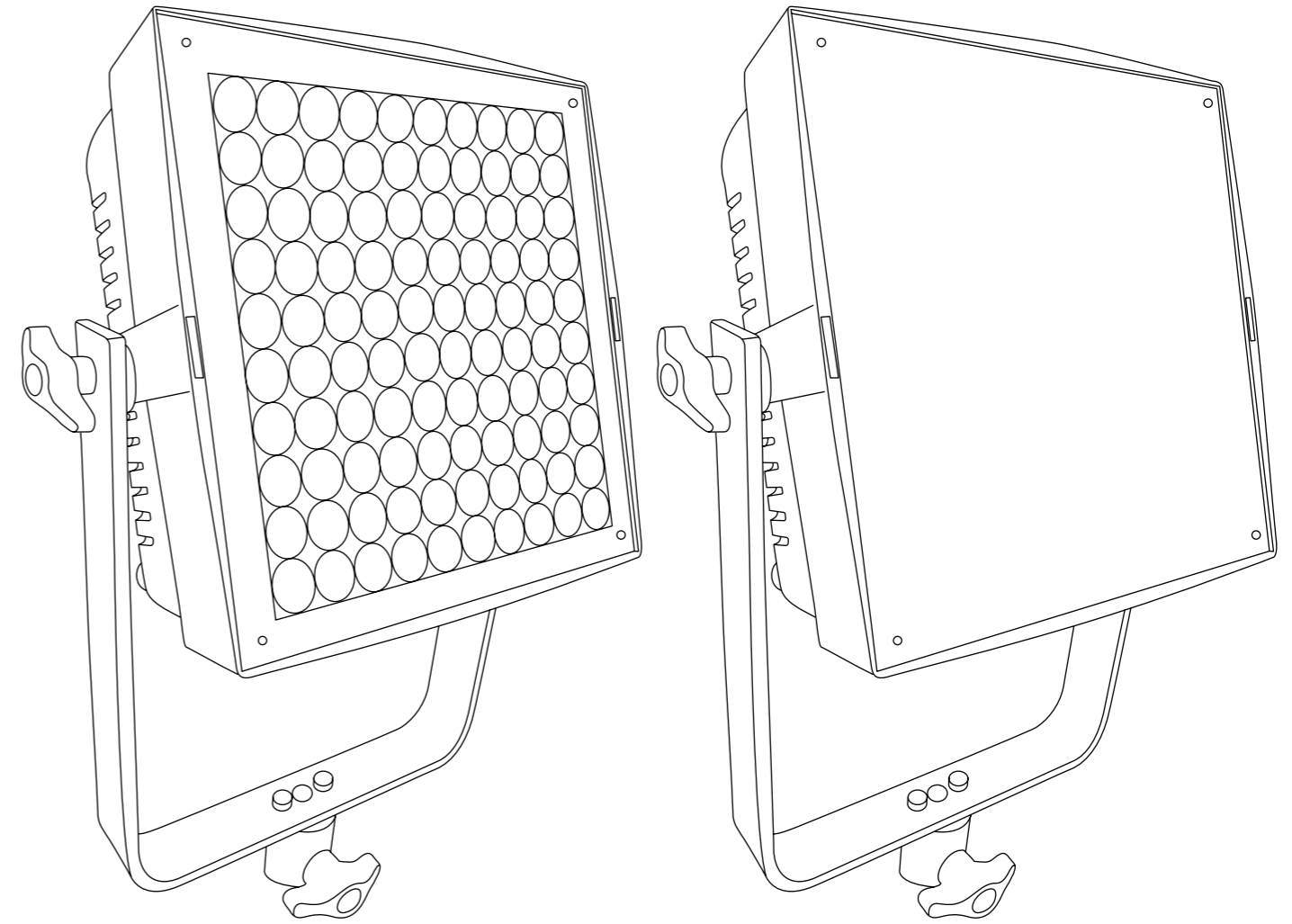
▲ ATTENTION: Please keep the original package of the product in a safe place for warranty reasons.

MENU e submenus

- Select **"EXIT"** to return to the current mode.
- Select **"BACK"** to return to the previous menu.



NOTE: After 1 minute of inactivity in the menu, the device automatically exits and returns to the last selected mode.



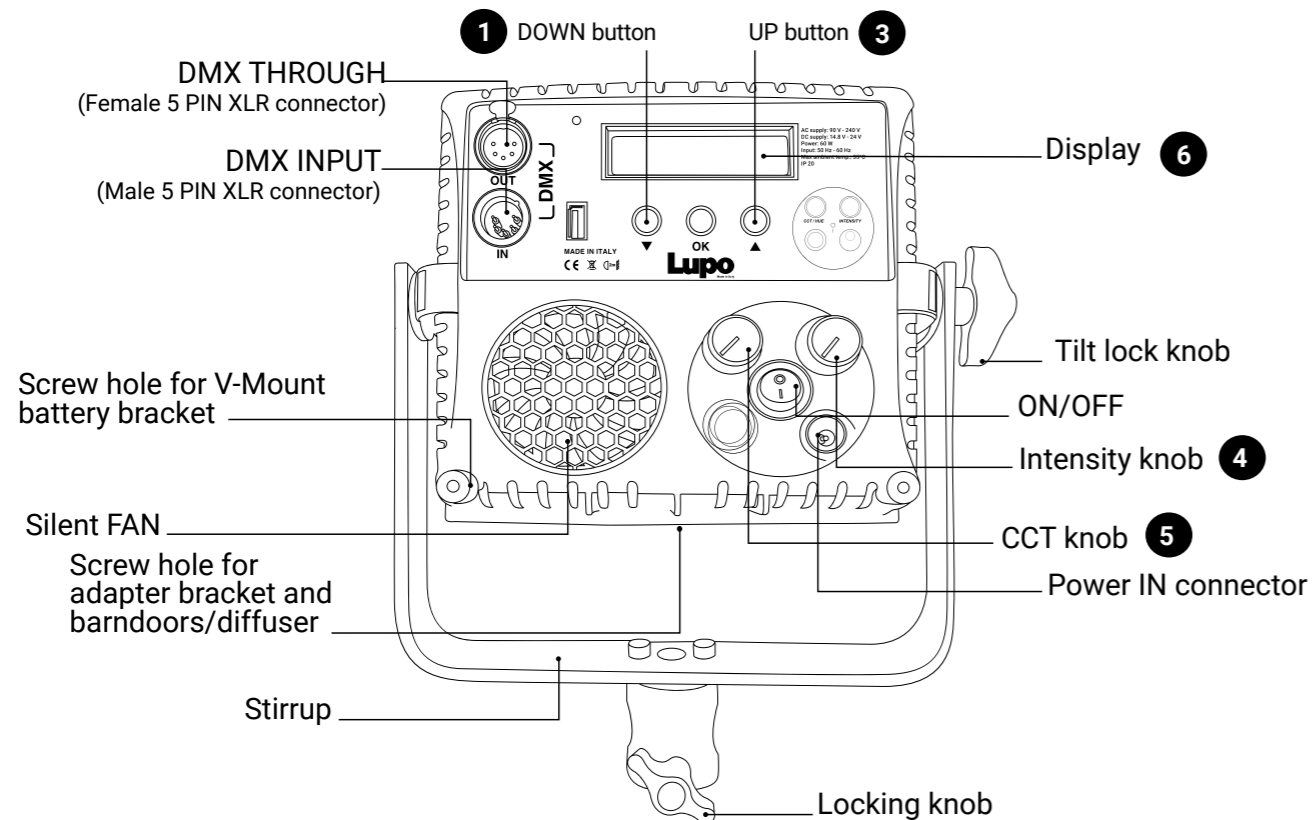
User Manuals

600 Actionpanel Dual Color Hard
603 Actionpanel Dual Color Soft

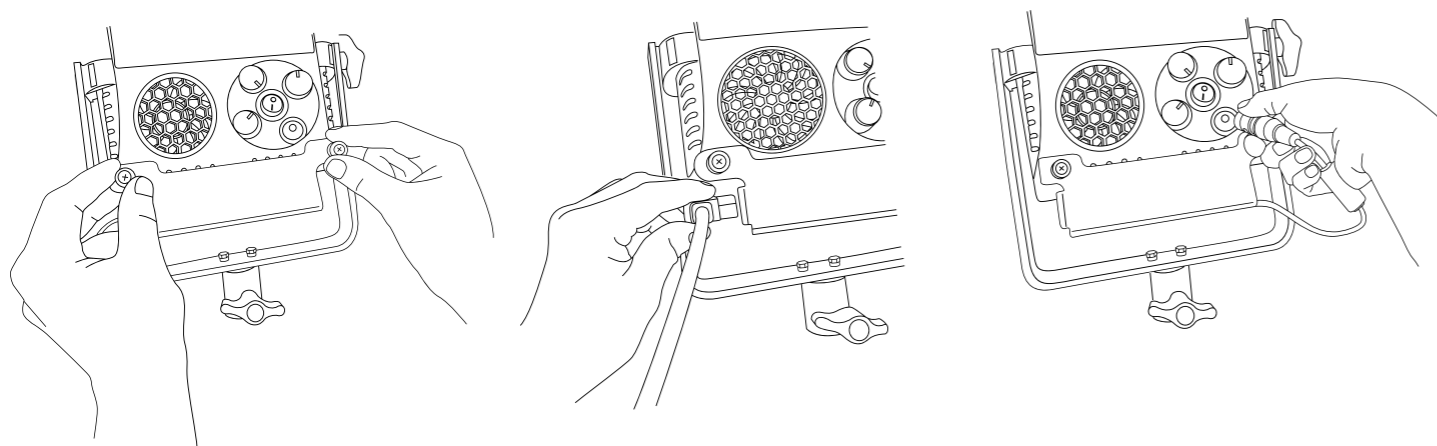
Instructions

- Device for indoor use only.
- Maximum ambient temperature: 40 °C.
- Make sure power supply plug is suitable to power required.
- As prescribed by international regulations, a safety cable must be used when the fixture is suspended from ceiling.
- To switch on the light push the on/off button.
- Superpanel models are equipped with new generation high quality powerleds.

Getting Started with the Actionpanel



Turning on the Actionpanel



1 Place the AC Adapter in the mounting bracket via the 2 captive screws to the bottom of the ACTIONPANEL fixture.

2 Insert the power cord cable into the AC adapter and connect the fixture to the power plug.

3 Insert the DC connector into the input jack on the ACTIONPANEL and **power on** the fixture.

CONTROL PANEL

- In current mode press the **5** push button to enter the main MENU.
- In the sub-menus press the **5** push button to confirm a selection.
- Rotate the **5** knob to navigate in the main MENU and sub-menus.
- Use the « **INTENSITY** » **4** knob to adjust the **light intensity from 0 to 100%**.
- Use the knobs **4** and **5** to adjust the light mode parameters.
- Display **6**.

⚠ ATTENTION: The **light intensity** level is adjustable from **0 - 50%** if the **FAN is OFF**. The value on the display flashes.

MANUAL OPERATION

1. Press the **5** push button to enter the main MENU.
2. Select **MANUAL** by pressing the **5** push button.
3. Select the light mode between **CCT** with the **5** knob and press the **5** push button to confirm selection.
4. See **LIGHT MODES**.

LIGHT MODES

MODE	INTENSITY 4	CCT/HUE 5	GN/SAT/COLOR 6	« ▼ » 1 « ▲ » 2
CCT	Light Intensity	CT 6500 K to 2800 K	GN -1.00 to +1.00	-

CCT MODE: Warm and cold white control mode. It allows you to adjust colour temperature (CCT), green/magenta compensation (GN) and light intensity. *This is the default setting.*

1. In MANUAL OPTIONS or DMX MODE menu select **EFFECT MODE**.
2. Select the EFFECT to be activated with rotate the **5** button, confirm the selection by pressing the **5** push button.
3. In current mode, use the « **▼** » **1** « **▲** » **2** button to change the EFFECT in ascending or descending order. **THE EFFECT ON THE DISPLAY IS THE SELECTED EFFECT.**
4. Use the knobs **5** and **4** to adjust the effect setting values. **See table below.**

DMX OPERATION

1. Press the **5** push button to enter the main MENU.
2. Select **DMX** with the **5** knob and press the **5** push button to confirm selection.
3. Select the light mode between **CCT** with the **5** knob and press the **5** push button to confirm selection.
4. Select the DMX channel, rotating the **5** knob to change DMX ADDRESS in ascending or descending order between 1 and 512. The number shown on the display **6** is the selected channel to communicate with the control desk.
1. See **DMX PROTOCOL MANUAL** to DMX channel specification.

NOTE: The symbol **- ! -** on the display indicates that there is **no DMX signal**.

BLUETOOTH

1. Press the **5** push button to enter the main MENU.
2. Navigate through the main MENU with the **5** knob and press the **5** push button to confirm selection.
3. Rotate the **5** knob to select **BLE**, press the **5** push button to confirm selection and to enable/disable BLE App interface.

DMX OPERATION - Advanced Settings

1. Press the **5** push button to enter the main MENU.
2. Navigate through the main MENU with the **5** knob and press the **5** push button to confirm selection.
3. Rotate the **5** knob to select **DMX ADVANCED**, press the **5** push button to confirm selection.
4. Select one of the options among the **DMX BIT**, **DMX SIGNAL LOSS** and **RDM ENABLE** press **5** push button to confirm the selection.

DMX BIT:

Resolution of the DMX control. 8bit 1 channel per function and 16 bit 2 channels per function.

1. Select the **DMX BIT** item by pressing the **5** push button.
2. Rotate the **5** knob to choose between **8bit / 16bit**, press the **5** push button to confirm the selected setting. See **DMX PROTOCOL MANUAL**.

DMX SIGNAL LOSS:

This feature allows to choose the device's behaviour in case of a DMX signal loss.

1. Select the **LOSS DMX SIGNAL** item with the **5** push button
2. Rotate the **5** knob to select the device's behaviour between **BLACK OUT /SETTINGS LAST / SETTINGS 1min**, press the **5** push button to confirm the setting.

Black out: The device switches off.

Settings Last: The values of the last selected setting are maintained over time until the device is switched off.

Settings 1min: The values of the last selected settings is maintained for one minute and then the device switch off.

RDM Enable: ON/OFF, enable/disable RDM Protocol

INV CCT: ON/FF: enable/disable reversal CCT console control

DMX Protocol

Introduction

The Actionpanel Full Color, the Superpanel 30 Full Color and the Superpanel 60 Full color can be used with 8 bit or 16 bit DMX control.

(See **DMX OPERATION - advanced settings** in the user's manual).

When used in **8 bit mode** the panels uses **one channel for each function**. DMX values for each channel are in the range of 0 to 255. When used in **16 bit mode** the panels uses **two channels for each function**. The increased resolution offers a smooth dimming and a more accurate color adjustment. DMX values for the first channel (byte 1) are in the range of 256 to 65535 while for the second channel (byte 2) they are in the range of 0 to 255.

⚠ ATTENTION: The symbol - ! - on the display indicates that there is **no DMX signal**.

DMX Channel Protocol - 8 bit

MODE	CHANNELS	DMX CHANNEL POSITION	DMX VALUE	VALUE
CCT	2/3*	1. DIMMER	0 - 255	0 - 100 %
		2. COLOR TEMPERATURE	0 - 255	6500 - 2700
		3. *STROBE CONTROL	0 ÷ 5	∅
			6 ÷ 255	1 ÷ 25 Hz

DMX Channel Protocol - 16 bit

MODE	CHANNELS	DMX CHANNEL POSITION	DMX VALUE	VALUE
CCT	6/8*	1. DIMMER - byte 1	0 - 65535	0 ÷ 100 %
		2. DIMMER - byte 2		
		3. COLOR TEMPERATURE - byte 1	0 - 65535	6500 - 2700

CCT	6/8*	4. COLOR TEMPERATURE - byte 2	0 - 65535	6500 - 2700
		5. * STROBE CONTROL - byte 1	0 ÷ 255	0 - 25 Hz
		6. * STROBE CONTROL - byte 2		
		7. *STROBE CONTROL - byte 1	0 ÷ 1300	∅
		8. *STROBE CONTROL - byte 2	1301 ÷ 65535	1 ÷ 25 Hz

RDM Protocol Specification

COMMAND	PID	DESCRIPTION
Manufacturer ID	0x0622	Manufacturer identification number (LUPO Lighting).
Device Identification		
Model ID		Model identification number
	1	Dayled 650 mono color
	2	Dayled 650 dual color
	3	Dayled 1000 mono color
	4	Dayled 1000 dual color
	5	Dayled 2000 mono color
	6	Dayled 2000 dual color
	7	Superpanel 30 dual color soft
	8	Superpanel 30 dual color lens
	9	Superpanel 30 full color soft
	10	Superpanel 30 full color lens
	11	Superpanel 60 dual color soft
	12	Superpanel 60 dual color lens
	13	Superpanel 60 full color soft
	14	Superpanel 60 full color lens
	15	Actionpanel dual color soft
	16	Actionpanel dual color lens
	17	Actionpanel full color soft
	18	Actionpanel full color lens
	19	Kickasspanel dual color
	20	Kickasspanel full color
	21	Lupoled monocolour
	22	Lupoled dualcolor
	23	Movielight monocolour
	24	Movielight dual color
	25	Ultrapanel 30 dual color soft
	26	Ultrapanel 30 dual color lens
	27	Ultrapanel 60 full color soft
	28	Ultrapanel 60 full color lens
	29	Ultrapanel 30 full color soft

	30	Ultrapanel 30 full color lens
	31	Ultrapanel 60 dual color soft
	32	Ultrapanel 60 dual color lens
	33	Dayled 650 PRO Full Color
	34	Dayled 1000 PRO Full Color
	35	Dayled 2000 PRO Full Color
Personality		
		DMX Personality
	0x01	CCT
Network management		
DISC UNIQUE BRANCH	0x0001	Search RDM devices
DISC MUTE	0x0002	Mute RDM device, no response message
DISC UN MUTE	0x0003	Activate RDM device fo response message
Status collection		
QUEUED MESSAGES	0x0020	Retrieves queued messages or status message if no message is in queue
STATUS MESSAGES	0x0030	Retrieves current Warning/Error messages
RDM Information		
SUPPORTED PARAMETERS	0x0050	Retrieves a list of all supported RDM commands
PARAMETER DESCRIPTION	0x0051	Retrieves a list of all RDM commands
Product Information		
DEVICE INFO	0x0060	Retrieves a variety of information about the device that is normally required by a controller.
DEVICE MODEL DESCRIPTION	0x0080	Text description of up to 32 characters for the device model type.
MANUFACTURER LABEL	0x0081	This parameter provides an ASCII text response with the Manufacturer name for the device. "LUPO" is the default name.
FACTORY DEFAULTS	0x0090	Set the device to its factory defaults. Get: Check if settings still in default state -> 1 if default
SOFTWARE VERSION LABEL	0x00C0	Retrieves software version string of main software
DMX512 Setup		
DMX PERSONALITY	0x00E0	DMX mode
DMX PERSONALITY DESCRIPTION	0x00E1	Shows a description of a DMX-Mode, max 32 characters
DMX START ADDRESS	0x00F0	DMX address
Control		
IDENTIFY DEVICE	0x1000	The identify flag (flashes the light)
Manufacturer Commands		
FAN MODE	0x8001	0: Off 1: On
DISPLAY TIMEOUT	0x8002	0: 30 sec 1: 1 min 2: always on
DMX SIGNAL LOST MODE	0x8003	0: black out 1: last settings on 2: last settings 1 min
DMX BITS	0x8004	0: 8 bit 1: 16 bit
CCT LIMIT	0x8005	0: 2800-10000 1: 3200-5600
LINEARIZATION	0x8006	0: linear 1: exponential 2: logarithmic

FILTER	0x8007	0: full speed 1: normal speed 2: high speed 3: low speed
FREQUENCY	0x8008	0: 18 KHz 1: 25 KHz
INV - CCT	0x8009	0: not inverted 1: inverted

DEVICE SETTINGS

1. Press the **5** push button to enter the main MENU.
2. Navigate through the MENU rotating the **5** button, select **DEVICE SETTINGS**, press the **5** push button to confirm the selection.
3. Navigate through the **FAN / DISPLAY / MENU VIEW / FREQUENCY / FILTER / LINEARIZATION / CCT LIMIT** functions, rotating the **5** button to select the desired function and press the **5** push button to confirm the selection.
4. Within each function select the option to be activated and rotate the **5** button.

Fan: Fan operation. **ON / OFF.**

When the fan is **OFF** the **light intensity** is adjustable between **0 and 50%**.

Display: Time during which the display backlight stays on. **30sec / 1min / ALWAYS ON.**

Menu View: **Type the main MENU**, sub-menus and functions to show. **ONLY MANUAL / ONLY DMX / MANUAL / DMX.**

Frequency: Dimmer frequency 18 KHz - 25 KHz

Filter: It is the speed response of the system (smooth factor).

FULL SPEED / NORMAL SPEED / HIGH SPEED / LOW SPEED.

Linearization: Linearization is the compensation curve for the human eye's perception of the luminous

FACTORY DEFAULT SETTING

MANUAL OPERATION

MODE: CCT

DMX OPERATION

MODE: CCT

BIT: 8 BIT

DMX SIGNAL LOSS: Settings 1 MIN

RDM ENABLE: OFF

INV - CCT: OFF

DEVICE SETTINGS

FAN: ON

DISPLAY: 1 min

MENU VIEW: Manual/DMX

FILTER : Normal speed

LINEARIZATION: Linear

FREQUENCY: 18 KHz

BLUETOOTH

Bluetooth Active: OFF

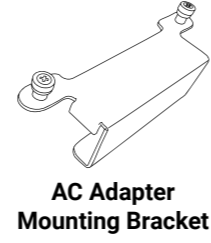
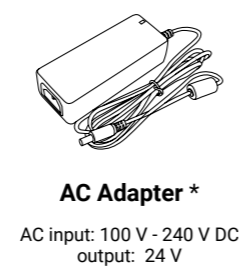
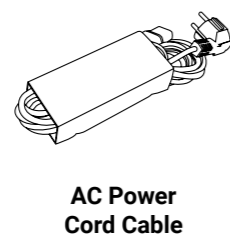
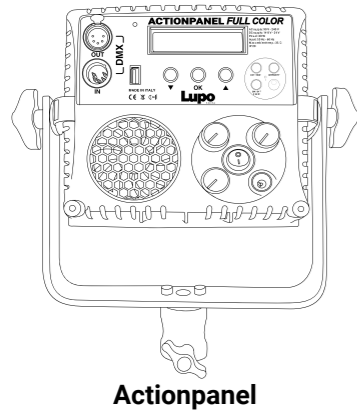
USB PORT

Use USB port for firmware updates.

Update the Firmware

1. Copy the file on an USB Pendrive (FAT32 formatted) in the main root;
2. Switch off the equipment and insert the USB Pendrive;
3. Switch on the equipment;
4. Wait until display backlight flashes (it takes several minutes and red led must toggle for all time long);
5. Switch off the equipment;
6. Extract the Pendrive and switch on the equipment: the firmware is updated.

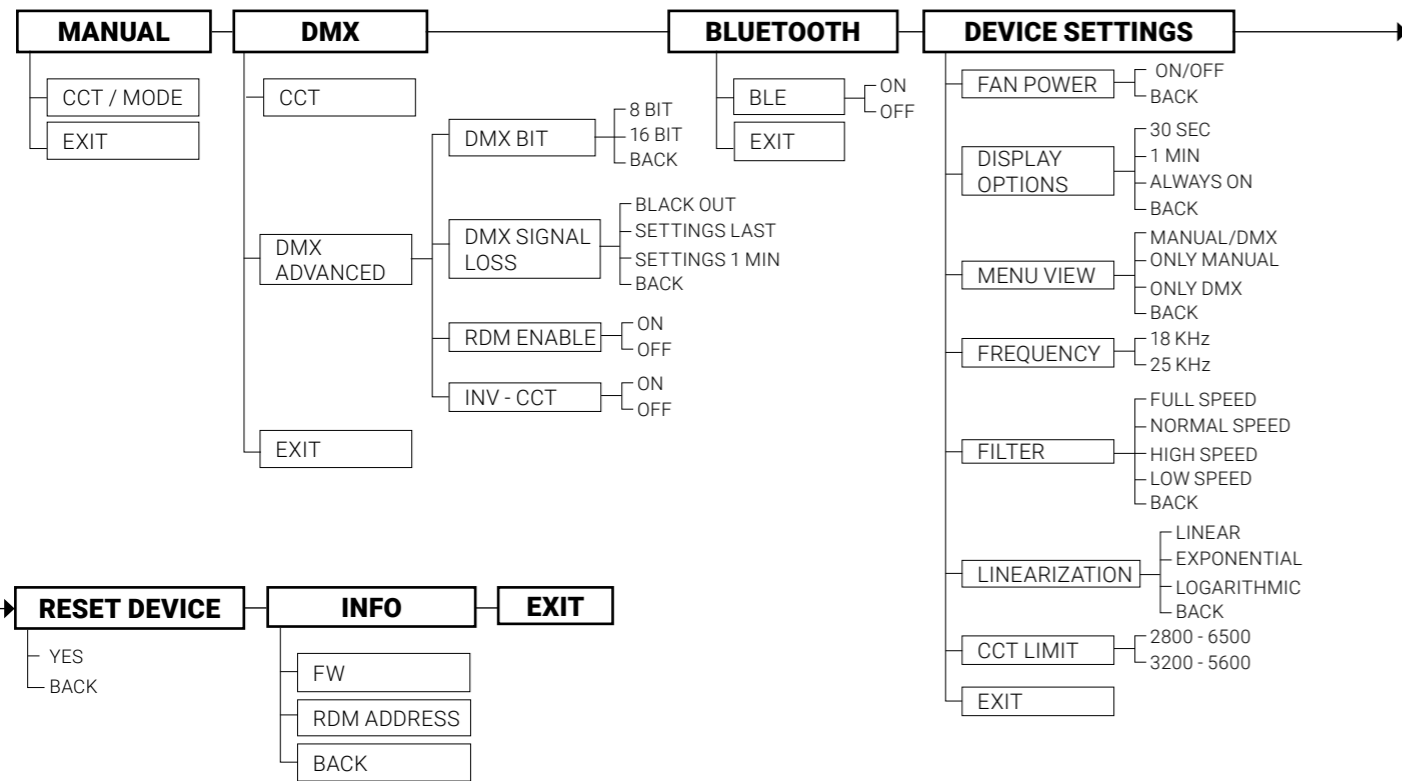
Package Contents for Actionpanel



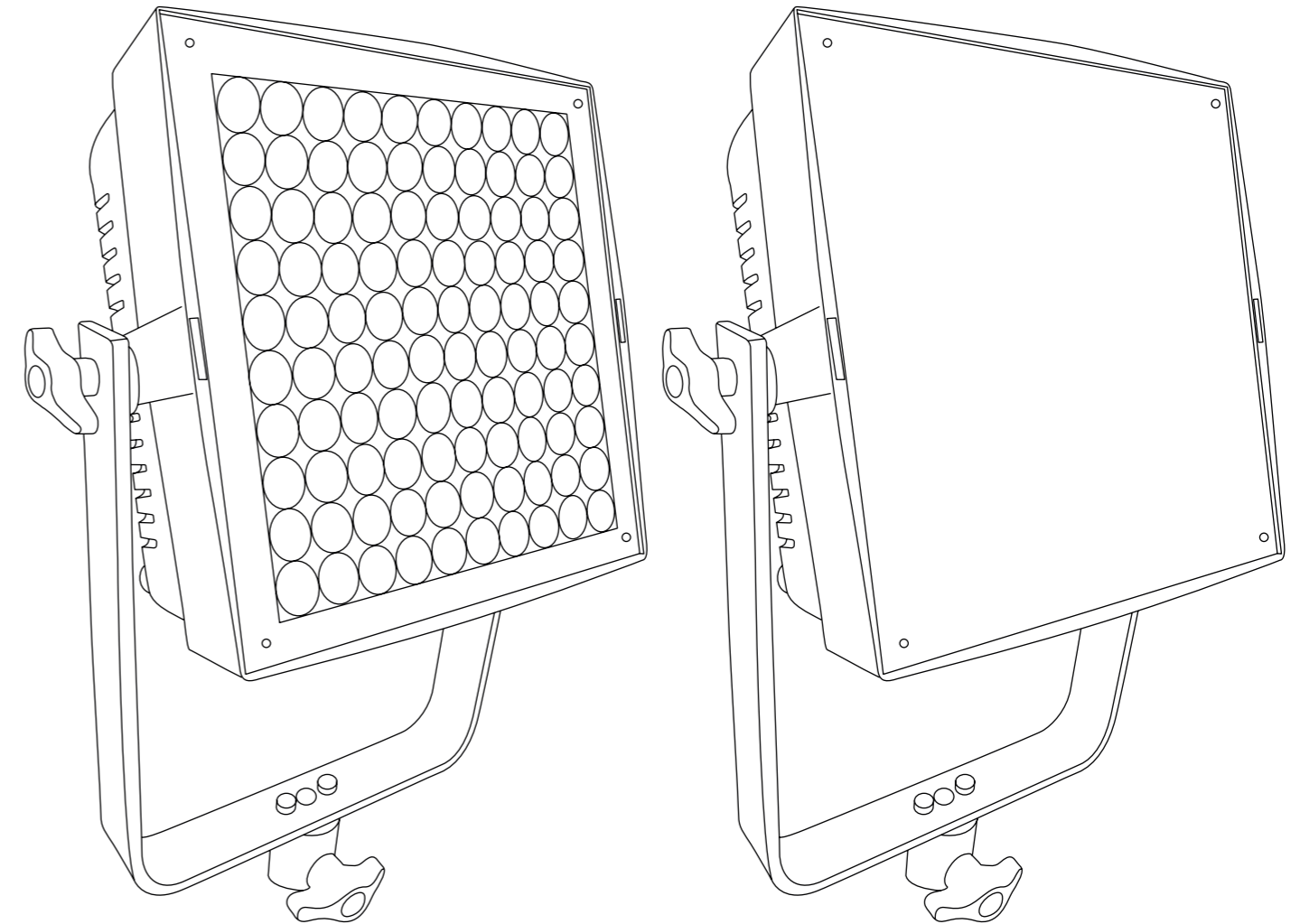
⚠ ATTENTION: Please keep the original package of the product in a safe place for warranty reasons.

MENU e submenus

- Select **"EXIT"** to return to the current mode.
- Select **"BACK"** to return to the previous menu.



NOTE: After 1 minute of inactivity in the menu, the device automatically exits and returns to the last selected mode.



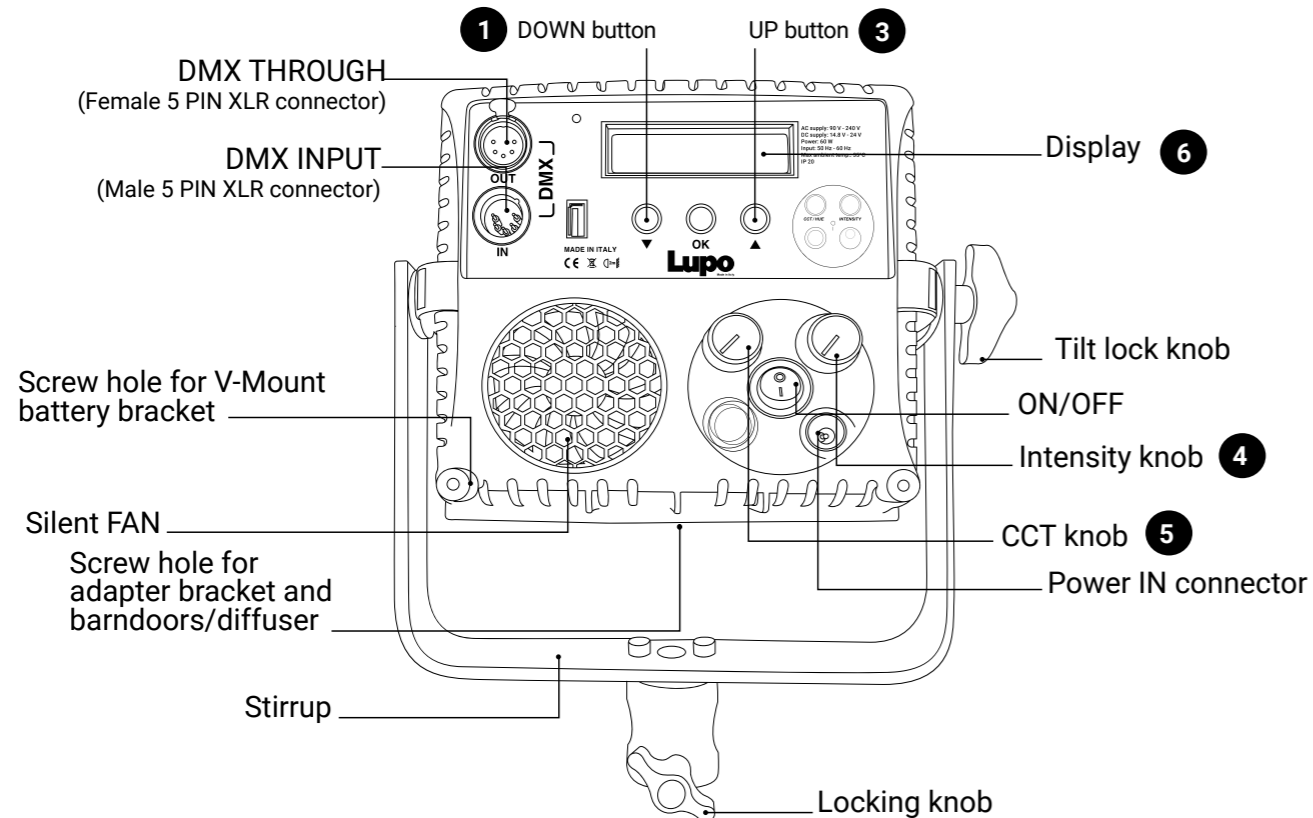
User Manuals

602 Actionpanel Full Color Hard
604 Actionpanel Full Color Soft

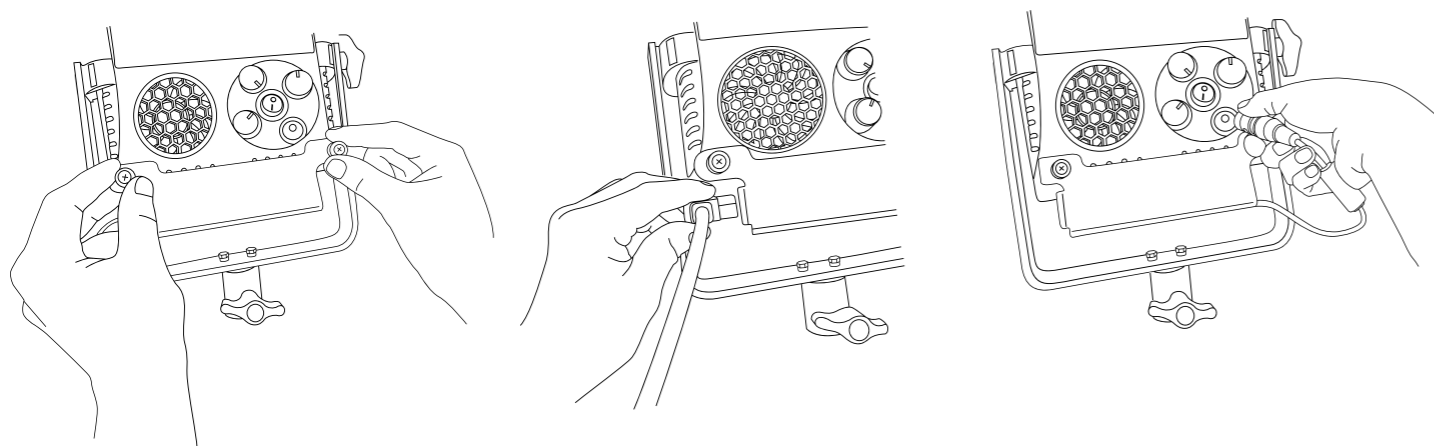
Instructions

- Device for indoor use only.
- Maximum ambient temperature: 40 °C.
- Make sure power supply plug is suitable to power required.
- As prescribed by international regulations, a safety cable must be used when the fixture is suspended from ceiling.
- To switch on the light push the on/off button.
- Superpanel models are equipped with new generation high quality powerleds.

Getting Started with the Actionpanel



Turning on the Actionpanel



1 Place the AC Adapter in the mounting bracket via the 2 captive screws to the bottom of the ACTIONPANEL fixture.

2 Insert the power cord cable into the AC adapter and connect the fixture to the power plug.

3 Insert the DC connector into the input jack on the ACTIONPANEL and **power on** the fixture.

CONTROL PANEL

- In current mode press the **5** push button to enter the main MENU.
- In the sub-menus press the **5** push button to confirm a selection.
- Rotate the **5** knob to navigate in the main MENU and sub-menus.
- Use the « **INTENSITY** » **4** knob to adjust the **light intensity from 0 to 100%**.
- Use the knobs **4** and **5** to adjust the light mode parameters.
- Display **6**.

⚠ ATTENTION: The **light intensity** level is adjustable from **0 - 50%** if the **FAN is OFF**. The value on the display flashes.

MANUAL OPERATION

1. Press the **5** push button to enter the main MENU.
2. Select **MANUAL** by pressing the **5** push button.
3. Select the light mode between **CCT / HSI / RGBW / PRESET / EFFECT / SAVE PRESET** with the **5** knob and press the **5** push button to confirm selection.
4. See **LIGHT MODES**.

LIGHT MODES

MODE	INTENSITY 4	CCT/HUE 5	GN/SAT/COLOR 6	« ▾ » 1 « ▴ » 3
CCT	Light Intensity from 0 to 100%	CT 2800K to 10000K	GN -1.00 to +1.00	-
HSI		HUE 0° to 100°	SAT 0 to 100%	-
RGBW		-	Select function R/G/B/W/CT/GN	Change values of the function
PRESET		-	-	Change Preset

A. CCT MODE: Warm and cold white control mode. It allows you to adjust colour temperature (CCT), green/magenta compensation (GN) and light intensity. *This is the default setting.*

B. HSI MODE: Colour composition mode. It allows you to adjust hue of colour (HUE), colour saturation (SAT) and light intensity.

C. RGBW MODE: RGBW colour control mode allows to individually set the R, G, B, W, Color Temperature (CT), green/magenta compensation (GN) values and to adjust light intensity

D. FRGBW MODE: Available only in DMX operation. Same as RGBW but with white color power unlimited. See **DMX PROTOCOL MANUAL**.

E. PRESET MODE: Mode with 53 PRESET colors, 48 factory preset and 5 user-defined preset.

1. In MANUAL OPTIONS or DMX MODE menu select **PRESET MODE**.
2. Select the PRESET to be activated rotate the **5** button, confirm the selection by pressing the **5** push button.
3. Use the « **INTENSITY** » **4** knob to adjust the **light intensity from 0 to 100%**.

SAVING THE SET VALUES AS A PRESET

You can store up to **5 PRESETS**.

1. In MANUAL select **SAVE PRESET** by pressing the **5** push button.
2. Save the set values in one of the available presets between **USER PRESET 1 / 2 / 3 / 4 / 5** rotate the **5** knob to select the PRESET number and press the **5** push button to confirm the selection. **THE SET COLOR IS SAVED AS PRESET.**

"BUSY" indicates that in the user preset there are parameters memorized if you select it, the parameters is replaced by the new ones. **"EMPTY"** indicates that the user preset is free.

DMX OPERATION

1. Press the **5** push button to enter the main MENU.
 2. Select **DMX** with the **5** knob and press the **5** push button to confirm selection.
 3. Select the light mode between **CCT / HSI / RGBW / FRGBW / PRESET** with the **5** knob and press the **5** push button to confirm selection.
 4. Select the DMX channel, rotating the **5** knob to change DMX ADDRESS in ascending or descending order between 1 and 512. The number shown on the display **6** is the selected channel to communicate with the control desk.
1. See **DMX PROTOCOL MANUAL** to DMX channel specification.

NOTE: The symbol - ! - on the display indicates that there is **no DMX signal**.

BLUETOOTH

1. Press the **5** push button to enter the main MENU.
2. Navigate through the main MENU with the **5** knob and press the **5** push button to confirm selection.
3. Rotate the **5** knob to select **BLE**, press the **5** push button to confirm selection and to enable/disable BLE App interface.

DMX OPERATION - Advanced Settings

1. Press the **5** push button to enter the main MENU.
2. Navigate through the main MENU with the **5** knob and press the **5** push button to confirm selection.
3. Rotate the **5** knob to select **DMX ADVANCED**, press the **5** push button to confirm selection.
4. Select one of the options among the **DMX BIT**, **DMX SIGNAL LOSS** and **RDM ENABLE**, press **5** push button to confirm the selection.

DMX BIT:

Resolution of the DMX control. 8bit 1 channel per function and 16 bit 2 channels per function.

1. Select the **DMX BIT** item by pressing the **5** push button.
2. Rotate the **5** knob to choose between **8bit / 16bit**, press the **5** push button to confirm the selected setting. See **DMX PROTOCOL MANUAL**.

DMX SIGNAL LOSS:

This feature allows to choose the device's behaviour in case of a DMX signal loss.

1. Select the **LOSS DMX SIGNAL** item with the **5** push button
2. Rotate the **5** knob to select the device's behaviour between **BLACK OUT / SETTINGS LAST / SETTINGS 1min**, press the **5** push button to confirm the setting.

Black out: The device switches off.

Settings Last: The values of the last selected setting are maintained over time until the device is switched off.

Settings 1min: The values of the last selected settings is maintained for one minute and then the device is switch off.

RDM Enable: ON/OFF, enable/disable RDM Protocol

INV CCT: ON/FF: enable/disable reversal CCT console control

DMX Protocol

Introduction

The Actionpanel Full Color, the Superpanel 30 Full Color and the Superpanel 60 Full color can be used with 8 bit or 16 bit DMX control.

(See **DMX OPERATION - advanced settings** in the user's manual).

When used in **8 bit mode** the panels uses **one channel for each function**. DMX values for each channel are in the range of 0 to 255. When used in **16 bit mode** the panels uses **two channels for each function**. The increased resolution offers a smooth dimming and a more accurate color adjustment. DMX values for the first channel (byte 1) are in the range of 256 to 65535 while for the second channel (byte 2) they are in the range of 0 to 255.

⚠ ATTENTION: The symbol - ! - on the display indicates that there is **no DMX signal**.

DMX Channel Protocol - 8 bit

MODE	CHANNELS	DMX CHANNEL POSITION	DMX VALUE	VALUE
CCT	2/4*	1. DIMMER	0 - 255	0 - 100 %
		2. COLOR TEMPERATURE	0 - 255	6500 - 2700
		3. GN COMPENSATION	0 ÷ 5 6 ÷ 255	∅ - 1,00 ÷ + 1,00
		4. *STROBE CONTROL	0 ÷ 5 6 ÷ 255	∅ 1 ÷ 25 Hz
HSI	3	1. DIMMER	0 - 255	0 - 100 %
		2. HUE	0 - 255	6500 - 2700
		3. SATURATION	0 ÷ 255	0 ÷ 100%
RGBW	7	1. DIMMER	0 - 255	0 ÷ 100%
		2. RED	0 ÷ 255	0 ÷ 100%
		3. GREEN	0 ÷ 255	0 ÷ 100%
		4. BLUE	6 ÷ 255	0 ÷ 100%
		5. WHITE	0 ÷ 255	0 ÷ 100%
		6. COLOR TEMPERATURE	0 - 255	6500 - 2700
		7. GN COMPENSATION	0 ÷ 5 6 ÷ 255	∅ - 1,00 ÷ + 1,00
FRGBW	7	1. DIMMER	0 - 255	0 ÷ 100%
		2. RED	0 ÷ 255	0 ÷ 100%
		3. GREEN	0 ÷ 255	0 ÷ 100%
		4. BLUE	6 ÷ 255	0 ÷ 100%
		5. WHITE	0 ÷ 255	0 ÷ 100%
		6. COLOR TEMPERATURE	0 - 255	6500 - 2700
		7. GN COMPENSATION	0 ÷ 5 6 ÷ 255	∅ - 1,00 ÷ + 1,00
PRESET	3	1. DIMMER	0 - 255	0 ÷ 100 %
		2. PRESET	0 ÷ 255	0 ÷ N PRESET
		3. PRESET FREEZE	0 - 50 200 ÷ 255	NO FREEZE FREEZE

DMX Channel Protocol - 16 bit

MODE	CHANNELS	DMX CHANNEL POSITION	DMX VALUE	VALUE
CCT	6	1. DIMMER - byte 1	0 - 65535	0 ÷ 100 %
		2. DIMMER - byte 2		
		3. COLOR TEMPERATURE - byte 1	0 - 65535	6500 - 2700
		4. COLOR TEMPERATURE - byte 2		
		5. GN COMPENSATION - byte 1	0 ÷ 500	∅
		6. GN COMPENSATION - byte 2	501 ÷ 65535	-1,00 ÷ + 1,00

HSI	6	1. DIMMER - byte 1	0 - 65535	0 ÷ 100 %
		2. DIMMER - byte 1		
		3. HUE - byte 1	0 ÷ 65535	0 ÷ 360
		4. HUE - byte 2		
		5. SATURATION - byte 1	0 ÷ 65535	0 ÷ 100 %
		6. SATURATION - byte 2		
RGBW	14	1. DIMMER - byte 1	0 - 65535	0 ÷ 100 %
		2. DIMMER - byte 1		
		3. RED - byte 1	0 - 65535	0 ÷ 100 %
		4. RED - byte 2		
		5. GREEN - byte 1	0 ÷ 65535	0 ÷ 100 %
		6. GREEN - byte 2		
		7. BLUE - byte 1	0 ÷ 65535	0 ÷ 100 %
		8. BLUE - byte 1		
		9. WHITE - byte 1	0 ÷ 65535	0 ÷ 360
		10. WHITE - byte 2		
		11. COLOR TEMPERAT. - byte 1	0 - 65535	6500 - 2700
		12. COLOR TEMPERAT. - byte 2		
		13. GN COMPENSATION- byte 1	0 ÷ 500	∅
		14. GN COMPENSATION - byte 2	501 ÷ 65535	-1,00 ÷ + 1,00
FRGBW	14	1. DIMMER - byte 1	0 - 65535	0 ÷ 100 %
		2. DIMMER - byte 1		
		3. RED - byte 1	0 ÷ 65535	0 ÷ 100 %
		4. RED - byte 2		
		5. GREEN - byte 1	0 ÷ 65535	0 ÷ 100 %
		6. GREEN - byte 2		
		7. BLUE - byte 1	0 ÷ 65535	0 ÷ 100 %
		8. BLUE - byte 1		
		9. WHITE - byte 1	0 ÷ 65535	0 ÷ 360
		10. WHITE - byte 2		
		11. COLOR TEMPERAT. - byte 1	0 - 65535	6500 - 2700
		12. COLOR TEMPERAT. - byte 2		
		13. GN COMPENSATION- byte 1	0 ÷ 500	∅
		14. GN COMPENSATION - byte 2	501 ÷ 65535	-1,00 ÷ + 1,00
PRESET	6	1. DIMMER - byte 1	0 - 65535	0 ÷ 100 %
		2. DIMMER - byte 1		
		3. PRESET - byte 1	0 ÷ 65535	0 ÷ 100 %
		4. PRESET - byte 2		
		5. PRESET FREEZE - byte 1	0 - 12800 >	51200 ÷ 65535
		6. PRESET FREEZE - byte 2	NO FREEZE	FREEZE

RDM Protocol Specification

COMMAND	PID	DESCRIPTION
Manufacturer ID	0x0622	Manufacturer identification number (LUPO Lighting).
Device Identification		
Model ID		Model identification number
	1	Dayled 650 mono color
	2	Dayled 650 dual color
	3	Dayled 1000 mono color
	4	Dayled 1000 dual color

	5	Dayled 2000 mono color
	6	Dayled 2000 dual color
	7	Superpanel 30 dual color soft
	8	Superpanel 30 dual color lens
	9	Superpanel 30 full color soft
	10	Superpanel 30 full color lens
	11	Superpanel 60 dual color soft
	12	Superpanel 60 dual color lens
	13	Superpanel 60 full color soft
	14	Superpanel 60 full color lens
	15	Actionpanel dual color soft
	16	Actionpanel dual color lens
	17	Actionpanel full color soft
	18	Actionpanel full color lens
	19	Kickasspanel dual color
	20	Kickasspanel full color
	21	Lupoled monocolour
	22	Lupoled dualcolor
	23	Movielight monocolour
	24	Movielight dual color
	25	Ultrapanel 30 dual color soft
	26	Ultrapanel 30 dual color lens
	27	Ultrapanel 60 full color soft
	28	Ultrapanel 60 full color lens
	29	Ultrapanel 30 full color soft
	30	Ultrapanel 30 full color lens
	31	Ultrapanel 60 dual color soft
	32	Ultrapanel 60 dual color lens
	33	Dayled 650 PRO Full Color
	34	Dayled 1000 PRO Full Color
	35	Dayled 2000 PRO Full Color
Personality		DMX Personality
	0x01	CCT
Network management		
DISC UNIQUE BRANCH	0x0001	Search RDM devices
DISC MUTE	0x0002	Mute RDM device, no response message
DISC UN MUTE	0x0003	Activate RDM device fo response message
Status collection		
QUEUED MESSAGES	0x0020	Retrieves queued messages or status message if no message is in queue
STATUS MESSAGES	0x0030	Retrieves current Warning/Error messages
RDM Information		
SUPPORTED PARAMETERS	0x0050	Retrieves a list of all supported RDM commands
PARAMETER DESCRIPTION	0x0051	Retrieves a list of all RDM commands

Product Information		
DEVICE INFO	0x0060	Retrieves a variety of information about the device that is normally required by a controller.
DEVICE MODEL DESCRIPTION	0x0080	Text description of up to 32 characters for the device model type.
MANUFACTURER LABEL	0x0081	This parameter provides an ASCII text response with the Manufacturer name for the device. "LUPO" is the default name.
FACTORY DEFAULTS	0x0090	Set the device to its factory defaults. Get: Check if settings still in default state -> 1 if default
SOFTWARE VERSION LABEL	0x00C0	Retrieves software version string of main software
DMX512 Setup		
DMX PERSONALITY	0x00E0	DMX mode
DMX PERSONALITY DESCRIPTION	0x00E1	Shows a description of a DMX-Mode, max 32 characters
DMX START ADDRESS	0x00F0	DMX address
Control		
IDENTIFY DEVICE	0x1000	The identify flag (flashes the light)
Manufacturer Commands		
FAN MODE	0x8001	0: Off 1: On
DISPLAY TIMEOUT	0x8002	0: 30 sec 1: 1 min 2: always on
DMX SIGNAL LOST MODE	0x8003	0: black out 1: last settings on 2: last settings 1 min
DMX BITS	0x8004	0: 8 bit 1: 16 bit
CCT LIMIT	0x8005	0: 2800-10000 1: 3200-5600
LINEARIZATION	0x8006	0: linear 1: exponential 2: logarithmic
FILTER	0x8007	0: full speed 1: normal speed 2: high speed 3: low speed
FREQUENCY	0x8008	0: 18 KHz 1: 25 KHz
INV - CCT	0x8009	0: not inverted 1: inverted

DEVICE SETTINGS

- Press the **5** push button to enter the main MENU.
- Navigate through the MENU rotating the **5** button, select **DEVICE SETTINGS**, press the **5** push button to confirm the selection.
- Navigate through the **FAN / DISPLAY / MENU VIEW / FREQUENCY / FILTER / LINEARIZATION / CCT LIMIT** functions, rotating the **5** button to select the desired function and press the **5** push button to confirm the selection.
- Within each function select the option to be activated and rotate the **5** button.

Fan: Fan operation. **ON / OFF.**

When the fan is **OFF** the **light intensity** is adjustable between **0 and 50%**.

Display: Time during which the display backlight stays on. **30sec / 1min / ALWAYS ON.**

Menu View: Type the main MENU, sub-menus and functions to show. **ONLY MANUAL / ONLY DMX / MANUAL / DMX.**

Frequency: Dimmer frequency 18 KHz - 25 KHz

Filter: It is the speed response of the system (smooth factor).

FULL SPEED / NORMAL SPEED / HIGH SPEED / LOW SPEED.

Linearization: Linearization is the compensation curve for the human eye's perception of the luminous

intensity emitted as a function of the required power. Required power = dimmer value on the display. **LINEAR / EXPONENTIAL / LOGARITHMIC.**

Linear: No compensation, the intensity of the light is directly proportional to requested power.

Exponential: The light intensity increases from 0 to 100 exponentially.

Logarithmic: The light intensity increases from 0 to 100 logarithmically.

CCT Limit: The colour temperature is limited. **3200K - 5600K / 2800K - 10000K.**

RESET DEVICE

- Press the « **OK** » **2** button to enter the main MENU.
- Select **RESET DEVICE** rotating the **5** button, press the **5** push button to confirm the selection.
- Select **YES** rotating the **5** button, press the **5** push button to confirm the selection.
- The device ask for further confirmation, select **YES** by pressing the press the **5** push button. **THE DEVICE RETURN TO FACTORY DEFAULT SETTINGS.**

FACTORY DEFAULT SETTING

MANUAL OPERATION	DEVICE SETTINGS
MODE: CCT	FAN: ON
	DISPLAY: 1 min
DMX OPERATION	MENU VIEW: Manual/DMX
MODE: CCT	FILTER : Normal speed
BIT: 8 BIT	LINEARIZATION: Linear
DMX SIGNAL LOSS: Settings 1 MIN	FREQUENCY: 18 KHz
RDM ENABLE: OFF	BLUETOOTH
INV - CCT: OFF	Bluetooth Active: OFF

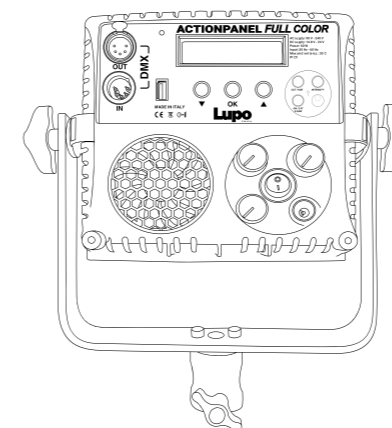
USB PORT

Use USB port for firmware updates.

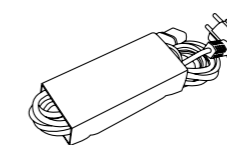
Update the Firmware

- Copy the file on an USB Pendrive (FAT32 formatted) in the main root;
- Switch off the equipment and insert the USB Pendrive;
- Switch on the equipment;
- Wait until display backlight flashes (it takes several minutes and red led must toggle for all time long);
- Switch off the equipment;
- Extract the Pendrive and switch on the equipment: the firmware is updated.

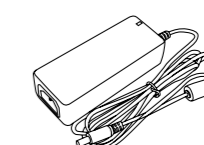
Package Contents for Actionpanel



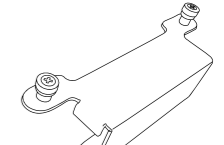
Actionpanel



AC Power Cord Cable



AC Adapter *
AC input: 100 V - 240 V DC
output: 24 V

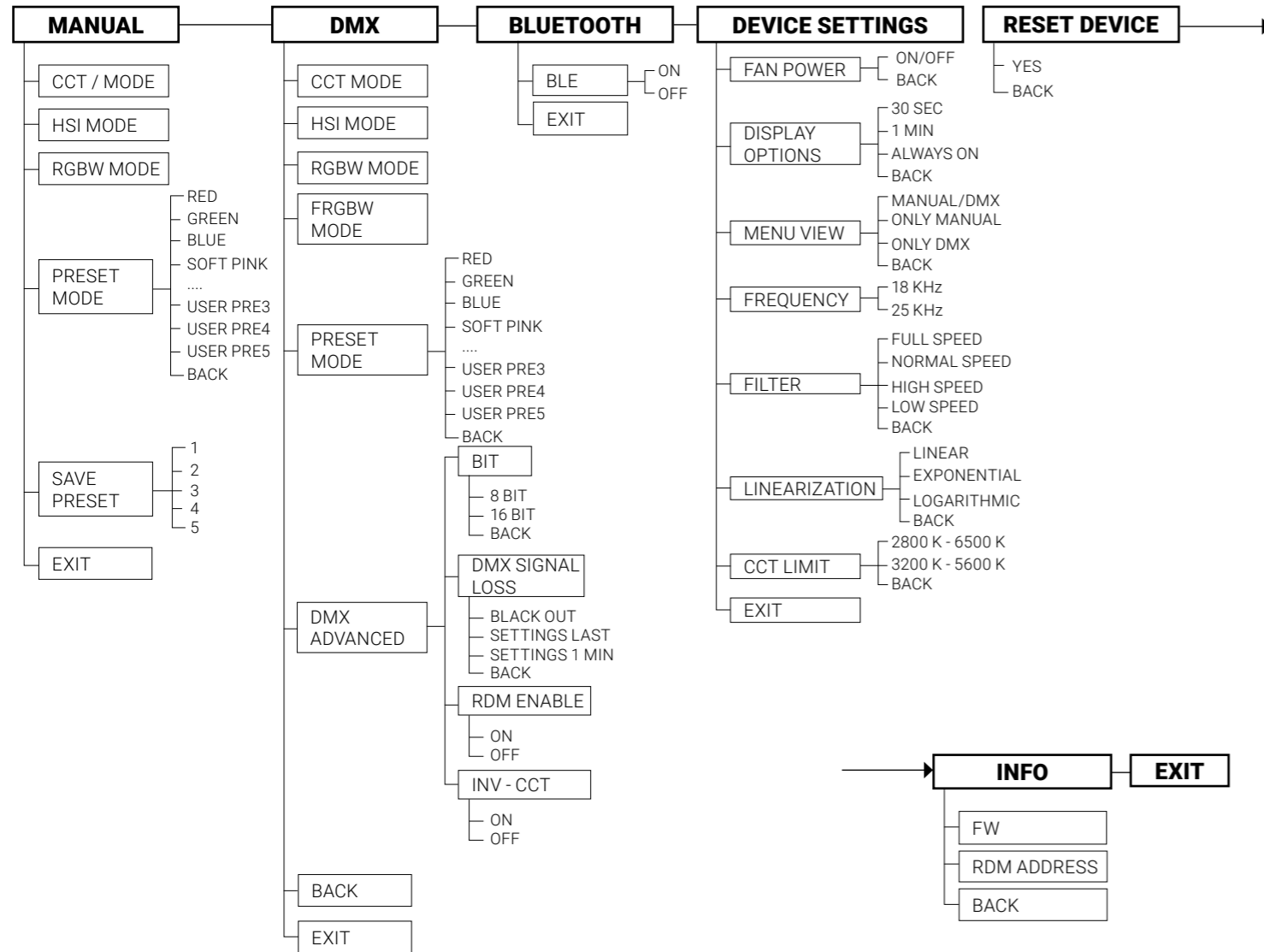


AC Adapter Mounting Bracket

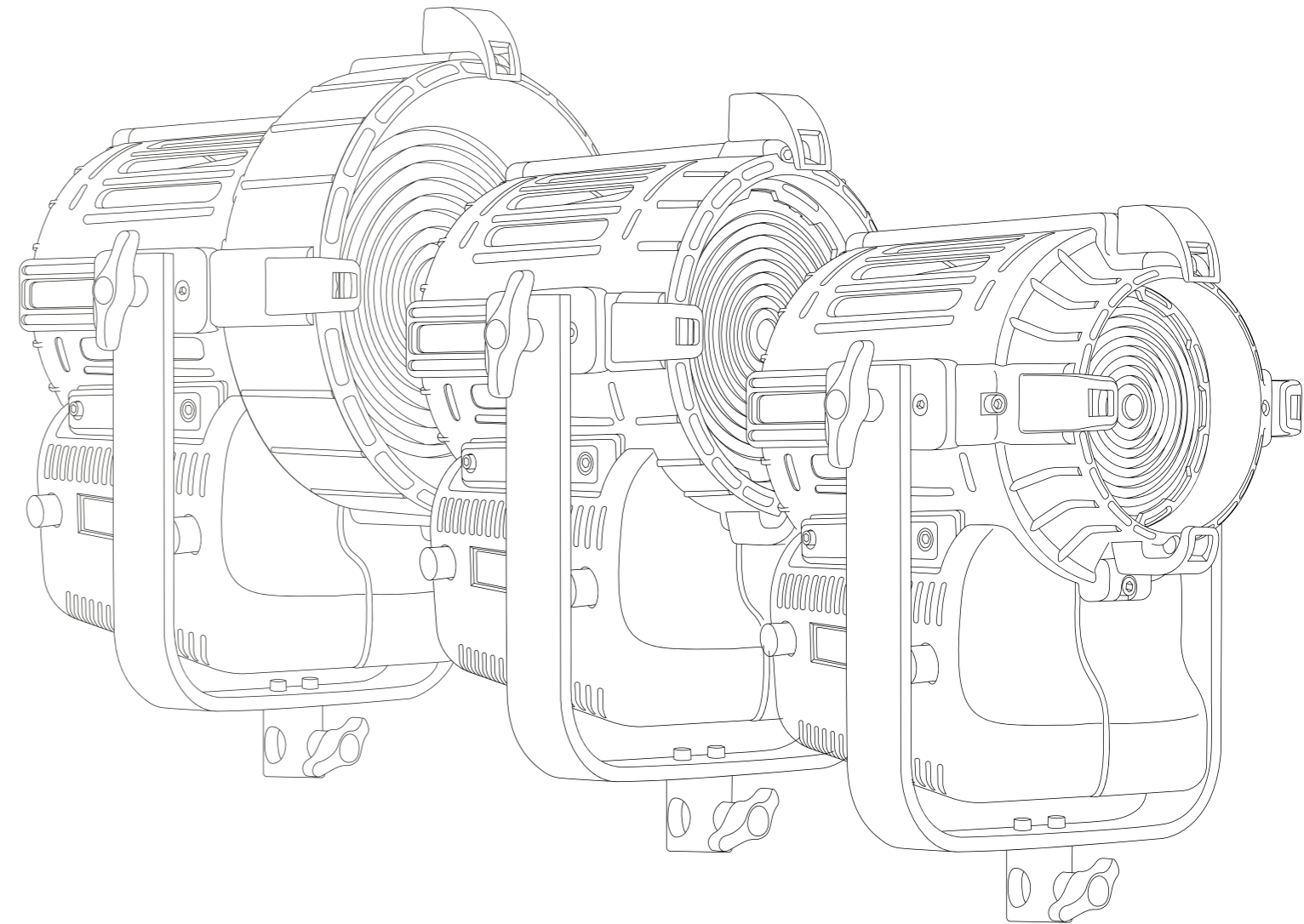
⚠ ATTENTION: Please keep the original package of the product in a safe place for warranty reasons.

MENU e submenus

- Select **"EXIT"** to return to the current mode.
- Select **"BACK"** to return to the previous menu.



NOTE: Select "EXIT" to return to the current mode. Select "BACK" to return to the previous menu. **After 1 minute of inactivity in the menu, the device automatically exits and returns to the last selected mode.**



User Manuals

DayledPRO 650

300D PRO / 300T PRO / 303 PRO Dual Color

DayledPRO 1000

301D PRO / 301T PRO / 304 PRO Dual Color

DayledPRO 2000

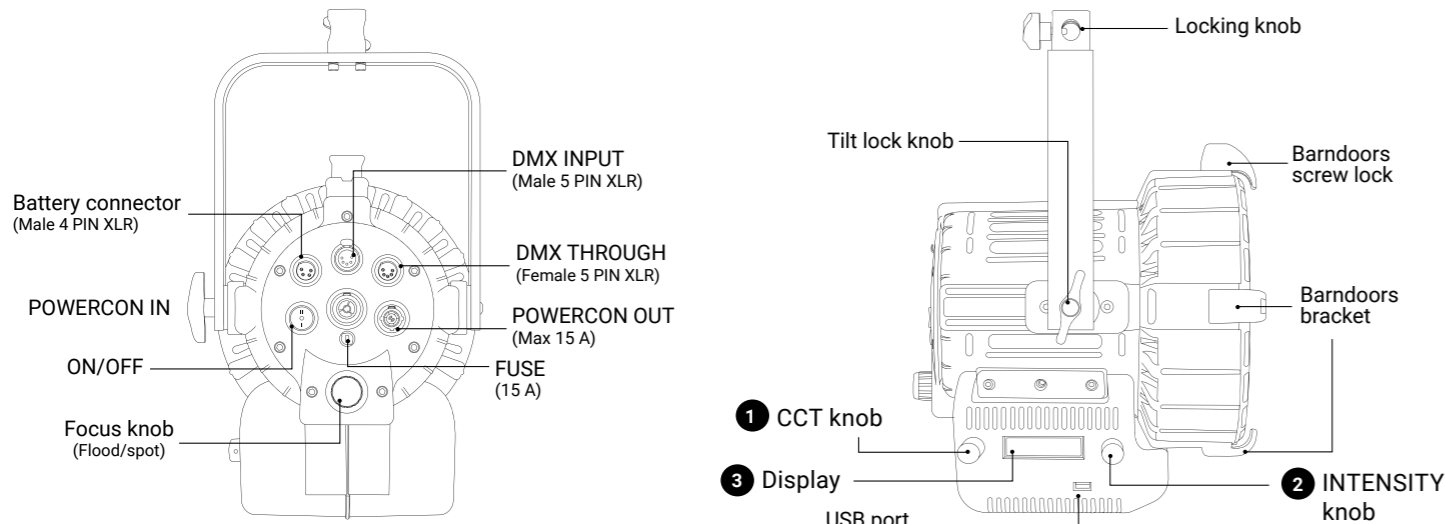
302D PRO / 302T PRO / 305 PRO Dual Color

Instructions

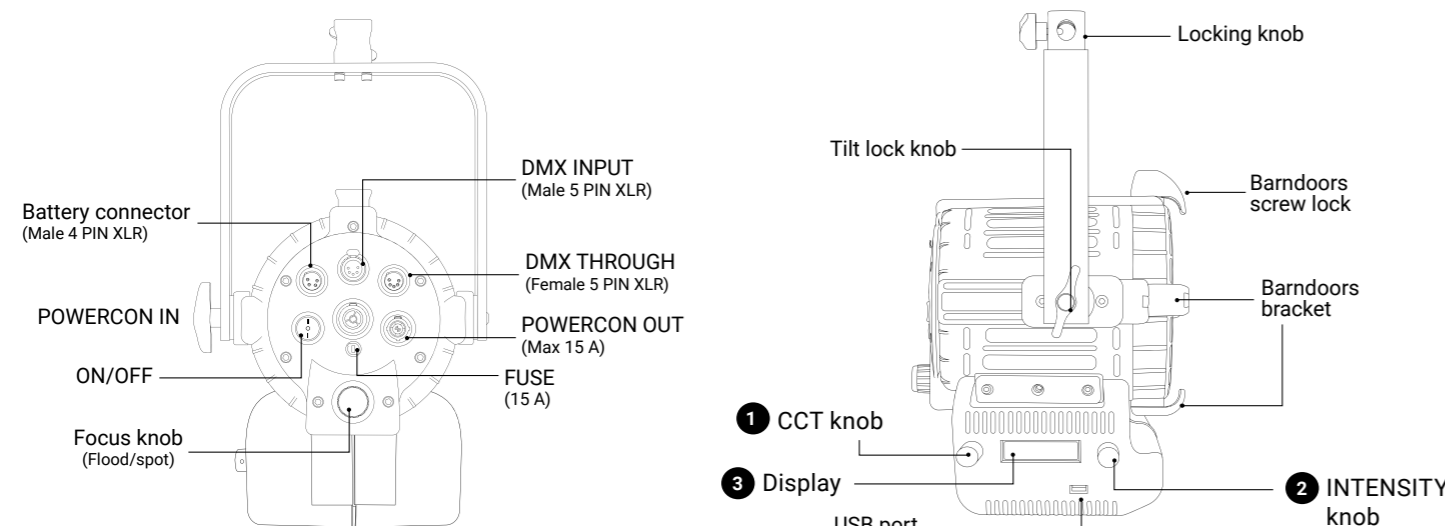
- Max input current for daisy chain: 15 A
- Device for indoor use only.
- Protection standard IP20.
- Maximum ambient temperature: 45 °C.
- Make sure power supply plug is suitable to power required.
- As prescribed by international regulations, a safety cable must be used when the fixture is suspended from ceiling.
- To switch on the light push the on/off button.
- DayledPRO 650 and DayledPRO 1000 models are equipped with new generation high quality LED arrays.
- DayledPRO 650 is equipped with 60 W single LED array.
- DayledPRO 1000 is equipped with 110 W single LED array.
- DayledPRO 2000 is equipped with 220 W single LED array.

Getting Started with the DayledPRO

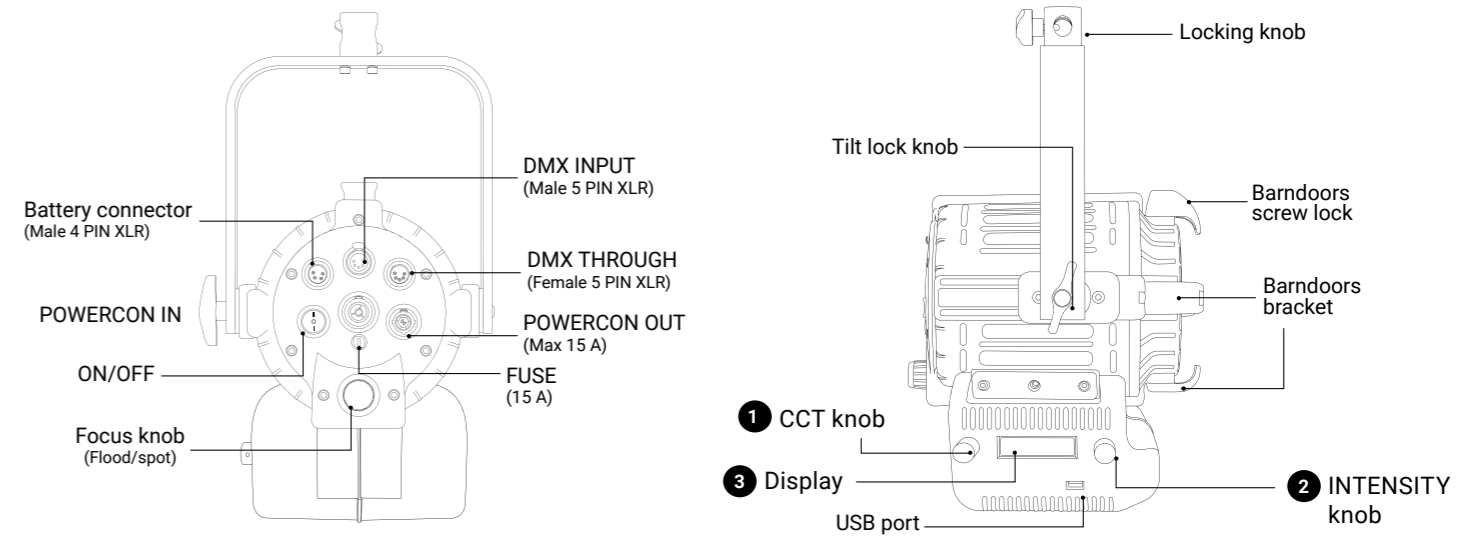
DayledPRO Full Color 2000



DayledPRO Full Color 1000



DayledPRO Full Color 1000



CONTROL PANEL

- In current mode press the 2 push button to enter the main MENU.
- In the sub-menus press the 2 push button to confirm a selection.
- Rotate the 2 knob to navigate in the main MENU and sub-menus.
- Use the « INTENSITY » 2 knob to adjust the **light intensity from 0 to 100%**.
- Use the knob 1 to adjust the light mode parameters.
- Display 3.

⚠ ATTENTION: The **light intensity** level is adjustable from **0 - 50%** if the **FAN** is **OFF**. The value on the display flashes.

MODE

1. Press the 2 push button to enter the main MENU.
2. Select **MODE** by pressing the 2 push button.
3. Select the light mode among **CCT** with the 2 knob and press the 2 push button to confirm selection.
4. Select among **CCT / PRESET / SAVE PRESET** with the 5 knob and press the 5 push button to confirm selection
5. See **LIGHT MODES**.

LIGHT MODES

MODE	INTENSITY 4	CCT/HUE 5	GN/SAT/COLOR 6	GN/SAT/COLOR 6
CCT	Light Intensity	CT 2800 K to 10000 K	-	-

CCT MODE: Warm and cold white control mode. It allows you to adjust colour temperature (CCT), and light intensity. *This is the default setting.*

⚠ ATTENTION: Rotating the 1 knob changes the CT value- Pressing 1 button select GN value that can be changed by rotating the same 1 knob.

DMX OPERATIONS

1. Press the 2 push button to enter the main MENU.
2. Select **CONTROL** with the 2 knob and press the 2 push button to confirm selection.
3. Select **DMX** with the 2 knob and press the 2 push button to confirm selection.
4. Select the DMX channel, rotating the 1 knob to change DMX ADDRESS in ascending or descending order among 1 and 512. The number shown on the display 3 is the selected channel to communicate with the control desk.
5. See **DMX PROTOCOL MANUAL** for DMX channel specification.

NOTE: The symbol - ! - on the display indicates that there is **no DMX signal**.

BLUETOOTH

1. Press the **2** push button to enter the main MENU.
1. Select **CONTROL** with the **2** knob and press the **2** push button to confirm selection.
2. Select **BLE** with the **2** knob and press the **2** push button to confirm selection.

DMX OPERATIONS - Advanced Settings

1. Press the **2** push button to enter the main MENU.
2. Navigate through the main MENU with the **2** knob until **DEVICE SETTINGS** and press the **2** push button to confirm selection.
3. Rotate the **2** knob to select **DMX ADVANCED**, press the **2** push button to confirm selection.
4. Select one of the options among the **DMX BIT**, **DMX SIGNAL LOSS**, **RDM ENABLE**, **STROBE ENABLE** and **INV CCT** press **2** push button to confirm the selection.

DMX BIT:

Resolution of the DMX control. 8bit 1 channel per function and 16 bit 2 channels per function.

1. Select the **DMX BIT** item by pressing the **2** push button.
2. Rotate the **2** knob to choose between **8bit / 16bit**, press the **2** push button to confirm the selected setting. See **DMX PROTOCOL MANUAL**.

DMX SIGNAL LOSS:

This feature allows to choose the device's behaviour in case of a DMX signal loss.

1. Select the **LOSS DMX SIGNAL** item with the **2** push button
2. Rotate the **2** knob to select the device's behaviour among **BLACK OUT /SETTINGS LAST / SETTINGS 1min**, press the **2** push button to confirm the setting.

Black out: The device switches off.

Settings Last: The values of the last selected setting are maintained over time until the device is switched off.

Settings 1min: The values of the last selected settings is maintained for one minute and then the device switch off.

RDM Enable: ON/OFF, enable/disable RDM Protocol

INV CCT: ON/FF: enable/disable reversal CCT console control

DMX Protocol

Introduction

The SuperpanelPRO and UltrapanelPRO can be used with 8 bit or 16 bit DMX control. (See **DMX OPERATION - advanced settings** in the user's manual). When used in **8 bit mode** the panels uses **one channel for each function**. DMX values for each channel are in the range of 0 to 255. When used in **16 bit mode** the panels uses **two channels for each function**. The increased resolution offers a smooth dimming and a more accurate color adjustment. DMX values for the first channel (byte 1) are in the range of 256 to 65535 while for the second channel (byte 2) they are in the range of 0 to 255.

⚠ ATTENTION: The symbol - ! - on the display indicates that there is **no DMX signal**.

⚠ ATTENTION: * If the **STROBE** in the DMX ADVANCED SETTINGS is enabled, there are 1 more channel in 8 bit and 2 more channels in 16 bit:

DMX Channel Protocol - 8 bit

MODE	CHANNELS	DMX CHANNEL POSITION	DMX VALUE	VALUE
CCT	2/3*	1. DIMMER	0 - 255	0 - 100 %
		2. COLOR TEMPERATURE	0 - 255	6500 - 2700
		3. *STROBE CONTROL	0 ÷ 5	∅
			6 ÷ 255	1 ÷ 25 Hz

DMX Channel Protocol - 16 bit

MODE	CHANNELS	DMX CHANNEL POSITION	DMX VALUE	VALUE
CCT	4/6*	1. DIMMER - byte 1	0 - 65535	0 ÷ 100 %
		2. DIMMER - byte 2		
		3. COLOR TEMPERATURE - byte 1	0 - 65535	6500 - 2700
		4. COLOR TEMPERATURE - byte 2		
		5. *STROBE CONTROL - byte 1	0 ÷ 1300	∅
		6. *STROBE CONTROL - byte 2	1301 ÷ 65535	1 ÷ 25 Hz

RDM Protocol Specification

COMMAND	PID	DESCRIPTION
Manufacturer ID	0x0622	Manufacturer identification number (LUPO Lighting).
Device Identification		
Model ID		Model identification number
	1	Dayled 650 mono color
	2	Dayled 650 dual color
	3	Dayled 1000 mono color
	4	Dayled 1000 dual color
	5	Dayled 2000 mono color
	6	Dayled 2000 dual color
	7	Superpanel 30 dual color soft
	8	Superpanel 30 dual color lens
	9	Superpanel 30 full color soft
	10	Superpanel 30 full color lens
	11	Superpanel 60 dual color soft
	12	Superpanel 60 dual color lens
	13	Superpanel 60 full color soft
	14	Superpanel 60 full color lens
	15	Actionpanel dual color soft
	16	Actionpanel dual color lens
	17	Actionpanel full color soft
	18	Actionpanel full color lens
	19	Kickasspanel dual color
	20	Kickasspanel full color

	21	Lupoled monocolor
	22	Lupoled dualcolor
	23	Movielight monocolor
	24	Movielight dual color
	25	Ultrapanel 30 dual color soft
	26	Ultrapanel 30 dual color lens
	27	Ultrapanel 60 full color soft
	28	Ultrapanel 60 full color lens
	29	Ultrapanel 30 full color soft
	30	Ultrapanel 30 full color lens
	31	Ultrapanel 60 dual color soft
	32	Ultrapanel 60 dual color lens
	33	Dayled 650 PRO Full Color
	34	Dayled 1000 PRO Full Color
	35	Dayled 2000 PRO Full Color
Personality		DMX Personality
	0x01	CCT
Network management		
DISC UNIQUE BRANCH	0x0001	Search RDM devices
DISC MUTE	0x0002	Mute RDM device, no response message
DISC UN MUTE	0x0003	Activate RDM device fo response message
Status collection		
QUEUED MESAGES	0x0020	Retrieves queued messages or status message if no message is in queue
STATUS MESSAGES	0x0030	Retrieves current Warning/Error messages
RDM Information		
SUPPORTED PARAMETERS	0x0050	Retrieves a list of all supported RDM commands
PARAMETER DESCRIPTION	0x0051	Retrieves a list of all RDM commands
Product Information		
DEVICE INFO	0x0060	Retrieves a variety of information about the device that is normally required by a controller.
DEVICE MODEL DESCRIPTION	0x0080	Text description of up to 32 characters for the device model type.
MANUFACTURER LABEL	0x0081	This parameter provides an ASCII text response with the Manufacturer name for the device. "LUPO" is the default name.
FACTORY DEFAULTS	0x0090	Set the device to its factory defaults. Get: Check if settings still in default state -> 1 if default
SOFTWARE VERSION LABEL	0x00C0	Retrieves software version string of main software
DMX512 Setup		
DMX PERSONALITY	0x00E0	DMX mode
DMX PERSONALITY DESCRIPTION	0x00E1	Shows a description of a DMX-Mode, max 32 characters
DMX START ADDRESS	0x00F0	DMX address
Control		
IDENTIFY DEVICE	0x1000	The identify flag (flashes the light)

Manufacturer Commands		
FAN MODE	0x8001	0: Off 1: On
DISPLAY TIMEOUT	0x8002	0: 30 sec 1: 1 min 2: always on
DMX SIGNAL LOST MODE	0x8003	0: black out 1: last settings on 2: last settings 1 min
DMX BITS	0x8004	0: 8 bit 1: 16 bit
CCT LIMIT	0x8005	0: 2800-10000 1: 3200-5600
LINEARIZATION	0x8006	0: linear 1: exponential 2: logarithmic
FILTER	0x8007	0: full speed 1: normal speed 2: high speed 3: low speed
FREQUENCY	0x8008	0: 18 KHz 1: 25 KHz
INV - CCT	0x8009	0: not inverted 1: inverted

DEVICE SETTINGS

1. Press the **2** push button to enter the main MENU.
2. Navigate through the MENU rotating the **2** button, select **DEVICE SETTINGS**, press the **2** push button to confirm the selection.
3. Navigate through the MENU rotating the **2** button, select **GENERAL**, press the **2** push button to confirm the selection.
4. Navigate through the **FAN POWER / DISPLAY / FREQUENCY / FILTER / LINEARIZATION / CCT LIMIT** functions, rotating the **2** button to select the desired function and press the **2** push button to confirm the selection.
5. Within each function select the option to be activated and rotate the **2** button.

Fan Power: Fan operation **ON / OFF**.

When the fan is **OFF** the **light intensity** be adjustable between **0 and 50%**.

Display: Time during which the display backlight stays on. **30sec / 1min / ALWAYS ON**.

Frequency: Dimmer frequency 18 KHz - 25 KHz

Filter: It is the speed response of the system (smooth factor).

FULL SPEED / NORMAL SPEED / HIGH SPEED / LOW SPEED.

Linearization: Linearization is the compensation curve for the human eye's perception of the luminous intensity emitted as a function of the required power. Required power = dimmer value on the display. **LINEAR / EXPONENTIAL / LOGARITHMIC.**

Linear: No compensation, the intensity of the light is directly proportional to requested power.

Exponential: The light intensity increases from 0 to 100 exponentially.

Logarithmic: The light intensity increases from 0 to 100 logarithmically.

CCT Limit: CCT range 2800 - 6500 or 3200 - 5600

RESET DEVICE

1. Press the « **OK** » **2** button to enter the main MENU.
2. Select **RESET DEVICE** rotating the **2** button, press the **2** push button to confirm the selection.
3. Select **YES** rotating the **2** button, press the **2** push button to confirm the selection.
4. The device ask for further confirmation, select **YES** by pressing the press the **2** push button. **THE DEVICE RETURNS TO FACTORY DEFAULT SETTINGS.**

FACTORY DEFAULT SETTING

MODE	DEVICE SETTINGS
CCT	FAN: ON
DMX OPERATION	DISPLAY: 1 min
BIT: 8 BIT	FILTER : Normal speed
DMX SIGNAL LOSS: Settings 1 MIN	LINEARIZATION: Linear
RDM ENABLE: OFF	FREQUENCY: 18 KHz
INV - CCT: OFF	CONTROL
	Manual

USB PORT

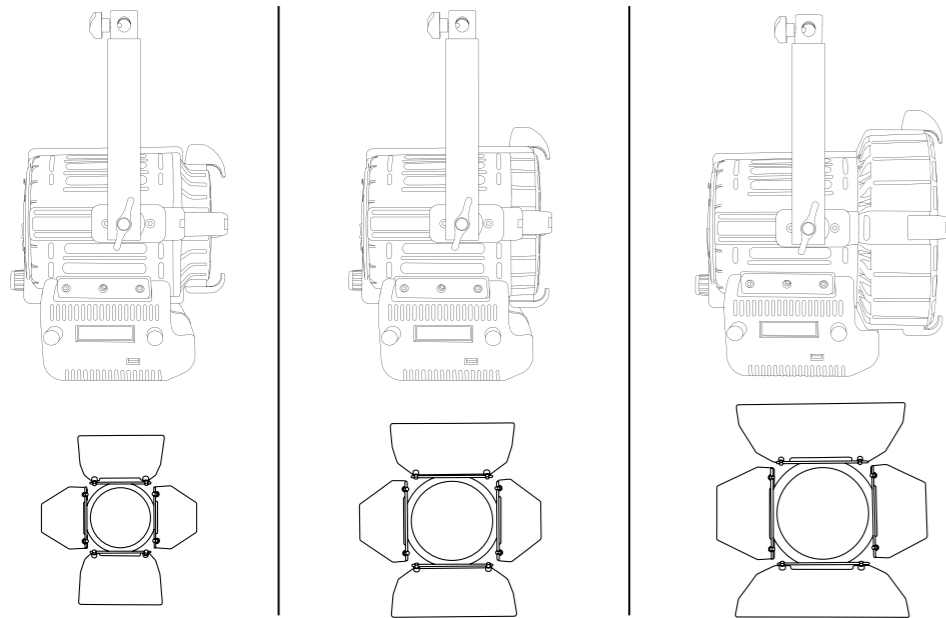
Use USB port for firmware updates.

Update the Firmware

1. Copy the file on an USB Pendrive (FAT32 formatted) in the main root;
2. Switch off the equipment and insert the USB Pendrive;
3. Switch on the equipment;
4. Wait until display backlight stop flashing (it takes several minutes and display backlight must toggle for all time long);
5. Switch off the equipment;
6. Extract the Pendrive and switch on the equipment: the firmware is updated.

Package Contents for DayledPRO

DayledPRO models + Barndoors



DayledPRO 650

DayledPRO 1000

DayledPRO 2000

⚠ ATTENTION: Please keep the original package of the product in a safe place for warranty reasons.

ACCESSORIES

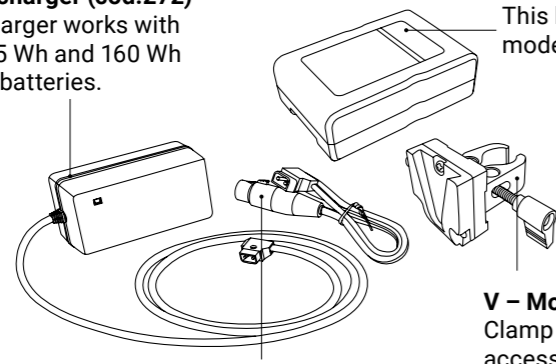
The accessories are products sold separately.

COMPLETE KIT OF V-MOUNT BATTERY POWER SUPPLY FOR DAYLEDPRO

The items are also sold separately.

Battery charger (cod.272)
This charger works with Lupo 95 Wh and 160 Wh batteries.

DayledPRO 650 / 1000
95 Wh battery (cod.271)
Dayled 2000
160 Wh battery (cod.271)
This batteries allows to power all Lupo models with AC/DC functioning.

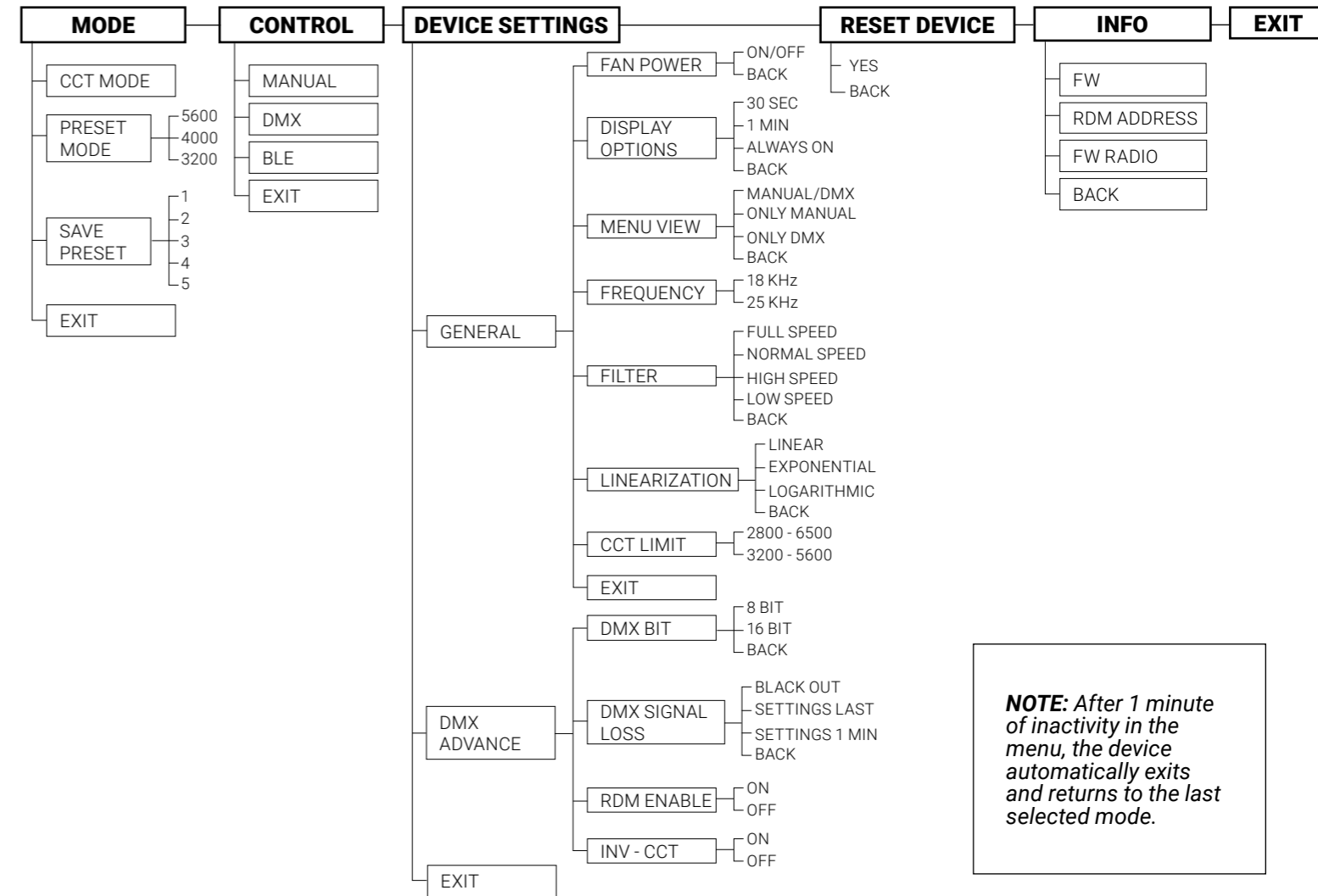


D - Tap cable (cod.313)

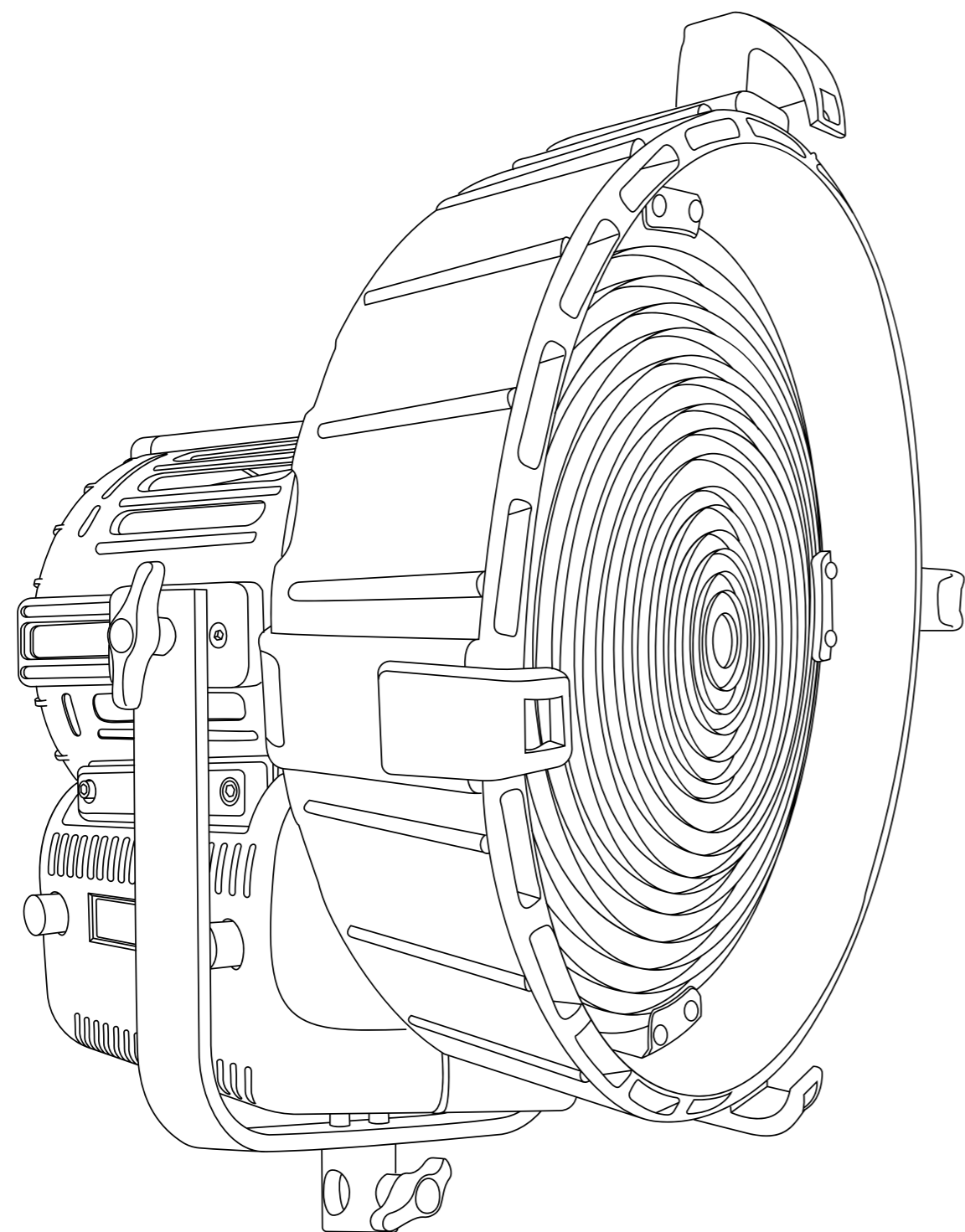
V - Mount clamp (cod.320)
Clamp for stand only is an essential accessory for lithium battery powered equipment. It accepts all standard V-Mount batteries.

MENU e submenus

- Select **"EXIT"** to return to the current mode.
- Select **"BACK"** to return to the previous menu.



NOTE: After 1 minute of inactivity in the menu, the device automatically exits and returns to the last selected mode.



User Manuals

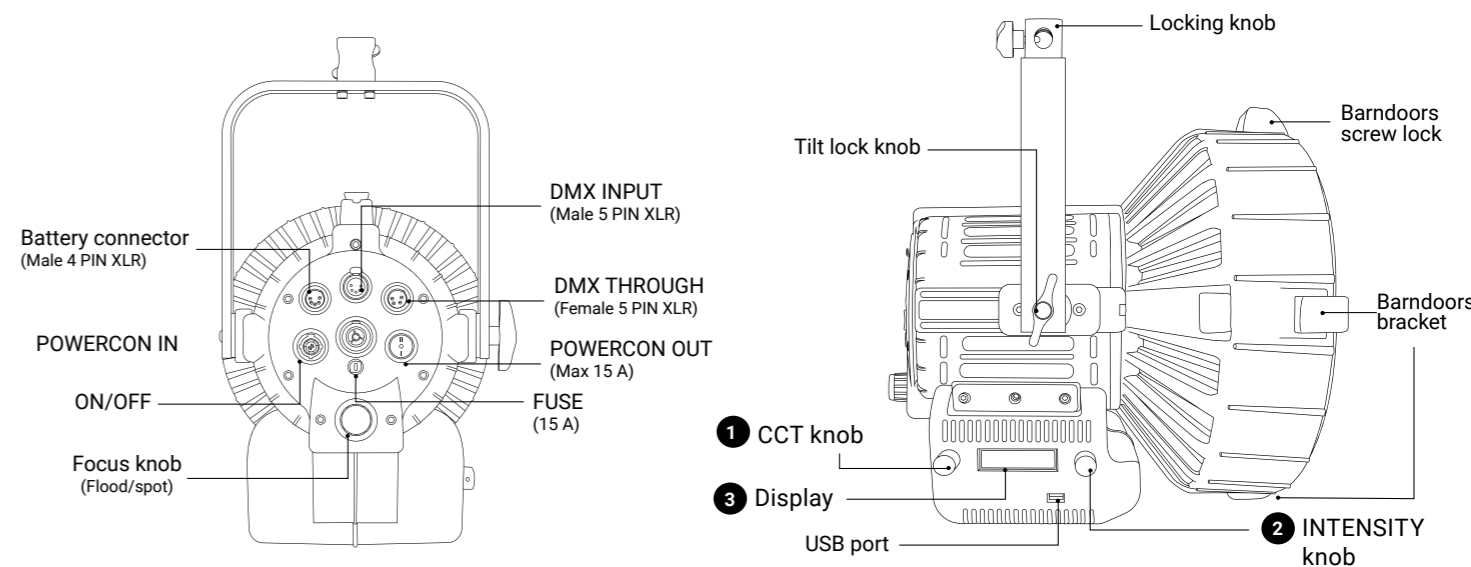
DayledPRO 3000

309D PRO / 309T PRO / 310 PRO

Instructions

- Max input current for daisy chain: 15 A
- Device for indoor use only.
- Protection standard IP20.
- Maximum ambient temperature: 45 °C.
- Make sure power supply plug is suitable to power required.
- As prescribed by international regulations, a safety cable must be used when the fixture is suspended from ceiling.
- To switch on the light push the on/off button.
- DayledPRO 3000 models are equipped with new generation high quality LED arrays.
- DayledPRO 3000 is equipped with 350 W single LED array.

Getting Started with the DayledPRO 3000



CONTROL PANEL

- In current mode press the **2** push button to enter the main MENU.
- In the sub-menus press the **2** push button to confirm a selection.
- Rotate the **2** knob to navigate in the main MENU and sub-menus.
- Use the « **INTENSITY** » **2** knob to adjust the **light intensity from 0 to 100%**.
- Use the knob **1** to adjust the light mode parameters.
- Display **3**.

⚠ ATTENTION: The **light intensity** level is adjustable from **0 - 50%** if the **FAN** is **OFF**. The value on the display flashes.

MODE

1. Press the **2** push button to enter the main MENU.
2. Select **MODE** by pressing the **2** push button.
3. Select the light mode among **CCT** with the **2** knob and press the **2** push button to confirm selection.
4. Select among **CCT / PRESET / SAVE PRESET** with the **2** knob and press the **2** push button to confirm selection
5. See **LIGHT MODES**.

LIGHT MODES

MODE	INTENSITY 4	CCT/HUE 5	GN/SAT/COLOR 6	GN/SAT/COLOR 6
CCT	Light Intensity	CT 2800 K to 10000 K	-	-

CCT MODE: Warm and cold white control mode. It allows you to adjust colour temperature (CCT), and light intensity. This is the default setting.

⚠ ATTENTION: Rotating the ❶ knob changes the CT value- Pressing ❶ button select GN value that can be changed by rotating the same ❶ knob.

DMX OPERATIONS

1. Press the ❷ push button to enter the main MENU.
2. Select **CONTROL** with the ❷ knob and press the ❷ push button to confirm selection.
3. Select **DMX** with the ❷ knob and press the ❷ push button to confirm selection.
4. Select the DMX channel, rotating the ❶ knob to change DMX ADDRESS in ascending or descending order among 1 and 512. The number shown on the display ❸ is the selected channel to communicate with the control desk.
5. See **DMX PROTOCOL MANUAL** for DMX channel specification.

NOTE: The symbol - ! - on the display indicates that there is **no DMX signal**.

BLUETOOTH

1. Press the ❷ push button to enter the main MENU.
1. Select **CONTROL** with the ❷ knob and press the ❷ push button to confirm selection.
2. Select **BLE** with the ❷ knob and press the ❷ push button to confirm selection.

DMX OPERATIONS - Advanced Settings

1. Press the ❷ push button to enter the main MENU.
2. Navigate through the main MENU with the ❷ knob until **DEVICE SETTINGS** and press the ❷ push button to confirm selection.
3. Rotate the ❷ knob to select **DMX ADVANCED**, press the ❷ push button to confirm selection.
4. Select one of the options among the **DMX BIT**, **DMX SIGNAL LOSS**, **RDM ENABLE**, **STROBE ENABLE** and **INV CCT** press ❷ push button to confirm the selection.

DMX BIT:

Resolution of the DMX control. 8bit 1 channel per function and 16 bit 2 channels per function.

1. Select the **DMX BIT** item by pressing the ❷ push button.
2. Rotate the ❷ knob to choose between **8bit / 16bit**, press the ❷ push button to confirm the selected setting. See **DMX PROTOCOL MANUAL**.

DMX SIGNAL LOSS:

This feature allows to choose the device's behaviour in case of a DMX signal loss.

1. Select the **LOSS DMX SIGNAL** item with the ❷ push button
2. Rotate the ❷ knob to select the device's behaviour among **BLACK OUT /SETTINGS LAST / SETTINGS 1min**, press the ❷ push button to confirm the setting.

Black out: The device switches off.

Settings Last: The values of the last selected setting are maintained over time until the device is switched off.

Settings 1min: The values of the last selected settings is maintained for one minute and then the device switch off.

RDM Enable: ON/OFF, enable/disable RDM Protocol

INV CCT: ON/FF: enable/disable reversal CCT console control

DMX Protocol

Introduction

The SuperpanelPRO and UltrapanelPRO can be used with 8 bit or 16 bit DMX control. (See **DMX OPERATION - advanced settings** in the user's manual). When used in **8 bit mode** the panels uses **one channel for each function**. DMX values for each channel are in the range of 0 to 255. When used in **16 bit mode** the panels uses **two channels for each function**. The increased resolution offers a smooth dimming and a more accurate color adjustment. DMX values for the first channel (byte 1) are in the range of 256 to 65535 while for the second channel (byte 2) they are in the range of 0 to 255.

⚠ ATTENTION: The symbol - ! - on the display indicates that there is **no DMX signal**.

⚠ ATTENTION: * If the **STROBE** in the DMX ADVANCED SETTINGS is enabled, there are 1 more channel in 8 bit and 2 more channels in 16 bit:

DMX Channel Protocol - 8 bit

MODE	CHANNELS	DMX CHANNEL POSITION	DMX VALUE	VALUE
CCT	2/3*	1. DIMMER	0 - 255	0 - 100 %
		2. COLOR TEMPERATURE	0 - 255	6500 - 2700
		3. *STROBE CONTROL	0 ÷ 5 6 ÷ 255	∅ 1 ÷ 25 Hz

DMX Channel Protocol - 16 bit

MODE	CHANNELS	DMX CHANNEL POSITION	DMX VALUE	VALUE
CCT	4/6*	1. DIMMER - byte 1	0 - 65535	0 ÷ 100 %
		2. DIMMER - byte 2		
		3. COLOR TEMPERATURE - byte 1	0 - 65535	6500 - 2700
		4. COLOR TEMPERATURE - byte 2		
		5. *STROBE CONTROL - byte 1	0 ÷ 1300	∅
		6. *STROBE CONTROL - byte 2	1301 ÷ 65535	1 ÷ 25 Hz

RDM Protocol Specification

COMMAND	PID	DESCRIPTION
Manufacturer ID	0x0622	Manufacturer identification number (LUPO Lighting).
Device Identification		
Model ID		Model identification number
	1	Dayled 650 mono color
	2	Dayled 650 dual color
	3	Dayled 1000 mono color
	4	Dayled 1000 dual color

	5	Dayled 2000 mono color
	6	Dayled 2000 dual color
	7	Superpanel 30 dual color soft
	8	Superpanel 30 dual color lens
	9	Superpanel 30 full color soft
	10	Superpanel 30 full color lens
	11	Superpanel 60 dual color soft
	12	Superpanel 60 dual color lens
	13	Superpanel 60 full color soft
	14	Superpanel 60 full color lens
	15	Actionpanel dual color soft
	16	Actionpanel dual color lens
	17	Actionpanel full color soft
	18	Actionpanel full color lens
	19	Kickasspanel dual color
	20	Kickasspanel full color
	21	Lupoled monocolour
	22	Lupoled dualcolor
	23	Movielight monocolour
	24	Movielight dual color
	25	Ultrapanel 30 dual color soft
	26	Ultrapanel 30 dual color lens
	27	Ultrapanel 60 full color soft
	28	Ultrapanel 60 full color lens
	29	Ultrapanel 30 full color soft
	30	Ultrapanel 30 full color lens
	31	Ultrapanel 60 dual color soft
	32	Ultrapanel 60 dual color lens
	33	Dayled 650 PRO Full Color
	34	Dayled 1000 PRO Full Color
	35	Dayled 2000 PRO Full Color
Personality		DMX Personality
	0x01	CCT
Network management		
DISC UNIQUE BRANCH	0x0001	Search RDM devices
DISC MUTE	0x0002	Mute RDM device, no response message
DISC UN MUTE	0x0003	Activate RDM device fo response message
Status collection		
QUEUED MESSAGES	0x0020	Retrieves queued messages or status message if no message is in queue
STATUS MESSAGES	0x0030	Retrieves current Warning/Error messages
RDM Information		
SUPPORTED PARAMETERS	0x0050	Retrieves a list of all supported RDM commands
PARAMETER DESCRIPTION	0x0051	Retrieves a list of all RDM commands

Product Information		
DEVICE INFO	0x0060	Retrieves a variety of information about the device that is normally required by a controller.
DEVICE MODEL DESCRIPTION	0x0080	Text description of up to 32 characters for the device model type.
MANUFACTURER LABEL	0x0081	This parameter provides an ASCII text response with the Manufacturer name for the device. "LUPO" is the default name.
FACTORY DEFAULTS	0x0090	Set the device to its factory defaults. Get: Check if settings still in default state -> 1 if default
SOFTWARE VERSION LABEL	0x00C0	Retrieves software version string of main software
DMX512 Setup		
DMX PERSONALITY	0x00E0	DMX mode
DMX PERSONALITY DESCRIPTION	0x00E1	Shows a description of a DMX-Mode, max 32 characters
DMX START ADDRESS	0x00F0	DMX address
Control		
IDENTIFY DEVICE	0x1000	The identify flag (flashes the light)
Manufacturer Commands		
FAN MODE	0x8001	0: Off 1: On
DISPLAY TIMEOUT	0x8002	0: 30 sec 1: 1 min 2: always on
DMX SIGNAL LOST MODE	0x8003	0: black out 1: last settings on 2: last settings 1 min
DMX BITS	0x8004	0: 8 bit 1: 16 bit
CCT LIMIT	0x8005	0: 2800-10000 1: 3200-5600
LINEARIZATION	0x8006	0: linear 1: exponential 2: logarithmic
FILTER	0x8007	0: full speed 1: normal speed 2: high speed 3: low speed
FREQUENCY	0x8008	0: 18 KHz 1: 25 KHz
INV - CCT	0x8009	0: not inverted 1: inverted

DEVICE SETTINGS

1. Press the **2** push button to enter the main MENU.
2. Navigate through the MENU rotating the **2** button, select **DEVICE SETTINGS**, press the **2** push button to confirm the selection.
3. Navigate through the MENU rotating the **2** button, select **GENERAL**, press the **2** push button to confirm the selection.
4. Navigate through the **FAN POWER / DISPLAY / FREQUENCY / FILTER / LINEARIZATION / CCT LIMIT** functions, rotating the **2** button to select the desired function and press the **2** push button to confirm the selection.
5. Within each function select the option to be activated and rotate the **2** button.

Fan Power: Fan operation **ON / OFF**.

When the fan is **OFF** the **light intensity** be adjustable between **0 and 50%**.

Display: Time during which the display backlight stays on. **30sec / 1min / ALWAYS ON**.

Frequency: Dimmer frequency 18 KHz - 25 KHz

Filter: It is the speed response of the system (smooth factor).

FULL SPEED / NORMAL SPEED / HIGH SPEED / LOW SPEED.

Linearization: Linearization is the compensation curve for the human eye's perception of the luminous intensity emitted as a function of the required power. Required power = dimmer value on the display. **LINEAR /**

EXPONENTIAL / LOGARITHMIC.

Linear: No compensation, the intensity of the light is directly proportional to requested power.

Exponential: The light intensity increases from 0 to 100 exponentially.

Logarithmic: The light intensity increases from 0 to 100 logarithmically.

CCT Limit: CCT range 2800 - 6500 or 3200 - 5600

RESET DEVICE

1. Press the « **OK** » **2** button to enter the main MENU.
2. Select **RESET DEVICE** rotating the **2** button, press the **2** push button to confirm the selection.
3. Select **YES** rotating the **2** button, press the **2** push button to confirm the selection.
4. The device ask for further confirmation, select **YES** by pressing the press the **2** push button. **THE DEVICE RETURNS TO FACTORY DEFAULT SETTINGS.**

FACTORY DEFAULT SETTING	
MODE	DEVICE SETTINGS
CCT	FAN: ON
DMX OPERATION	DISPLAY: 1 min
BIT: 8 BIT	FILTER : Normal speed
DMX SIGNAL LOSS: Settings 1 MIN	LINEARIZATION: Linear
RDM ENABLE: OFF	FREQUENCY: 18 KHz
INV - CCT: OFF	CONTROL
	Manual

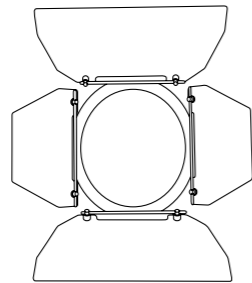
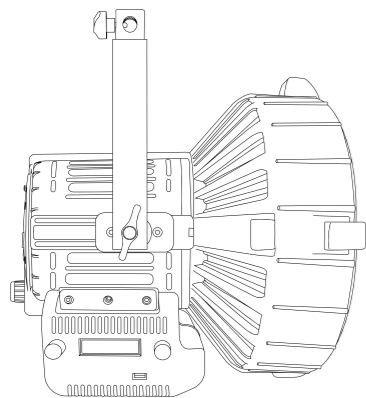
USB PORT

Use USB port for firmware updates.

Update the Firmware

1. Copy the file on an USB Pendrive (FAT32 formatted) in the main root;
2. Switch off the equipment and insert the USB Pendrive;
3. Switch on the equipment;
4. Wait until display backlight stop flashing (it takes several minutes and display backligh must toggle for all time long);
5. Switch off the equipment;
6. Extract the Pendrive and switch on the equipment: the firmware is updated.

Package Contents for DayledPRO 3000



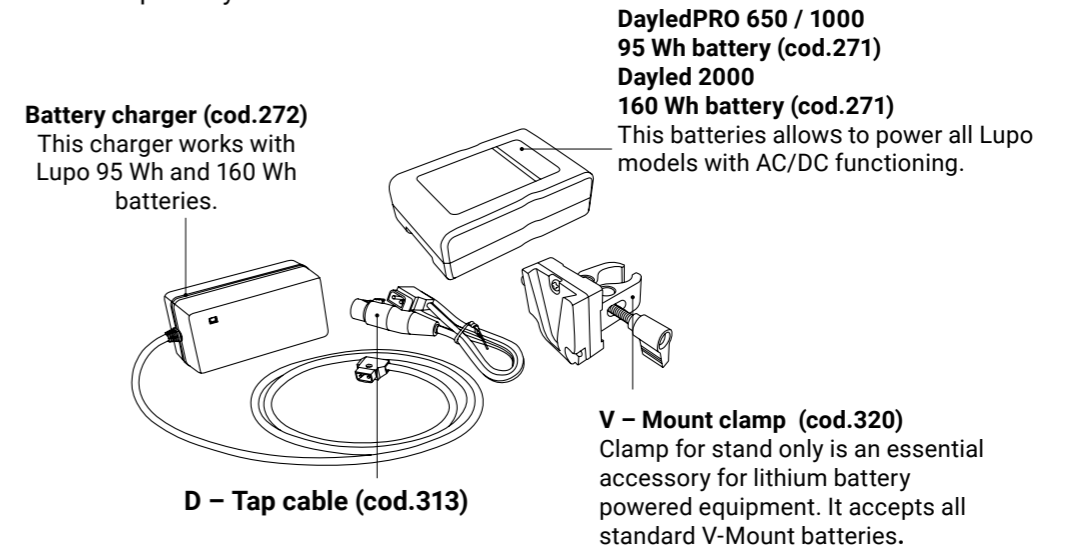
Barndoors

⚠ ATTENTION: Please keep the original package of the product in a safe place for warranty reasons.

ACCESSORIES

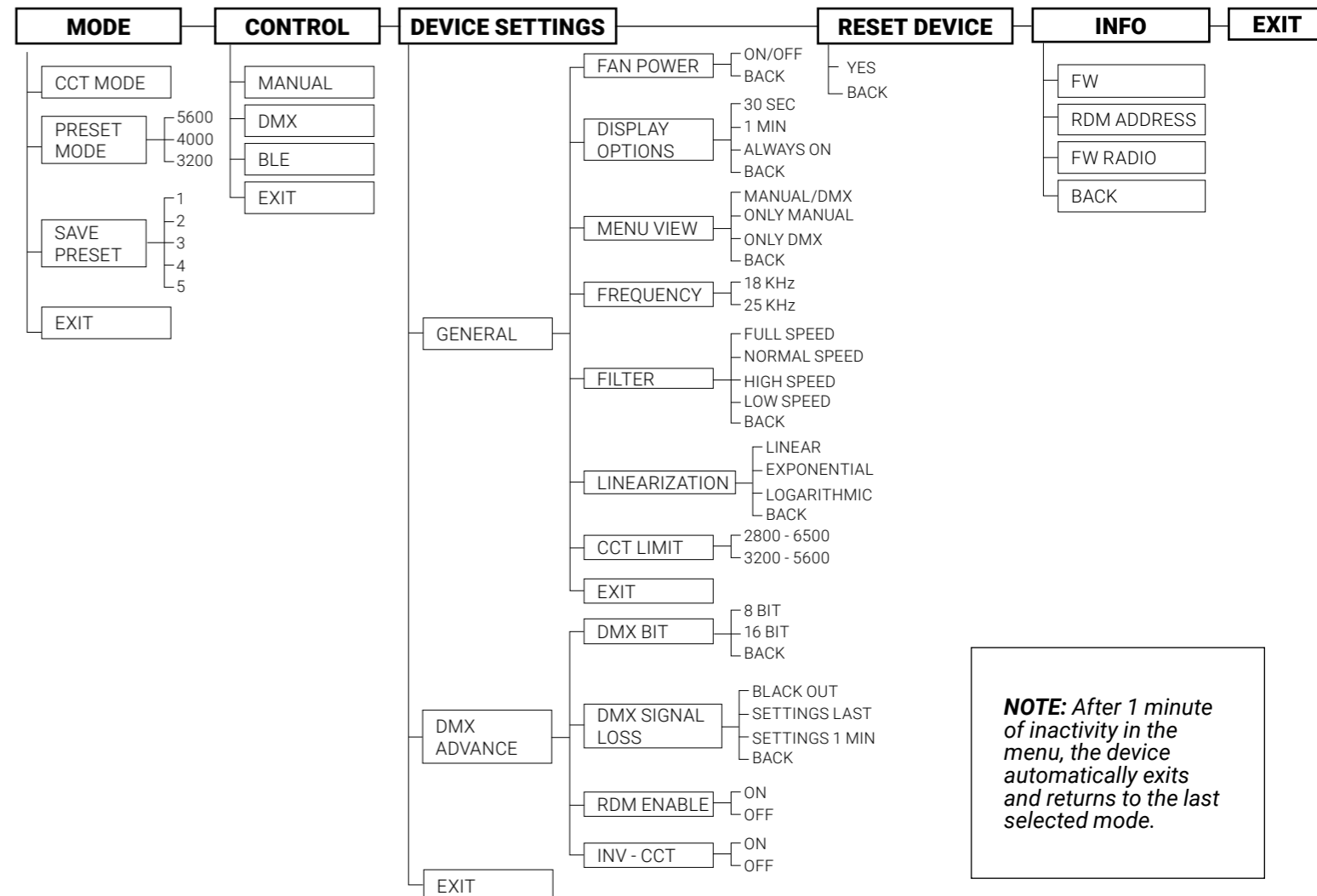
COMPLETE KIT OF V-MOUNT BATTERY POWER SUPPLY FOR DAYLEDPRO FULL COLOR 3000.

The items are also sold separately.

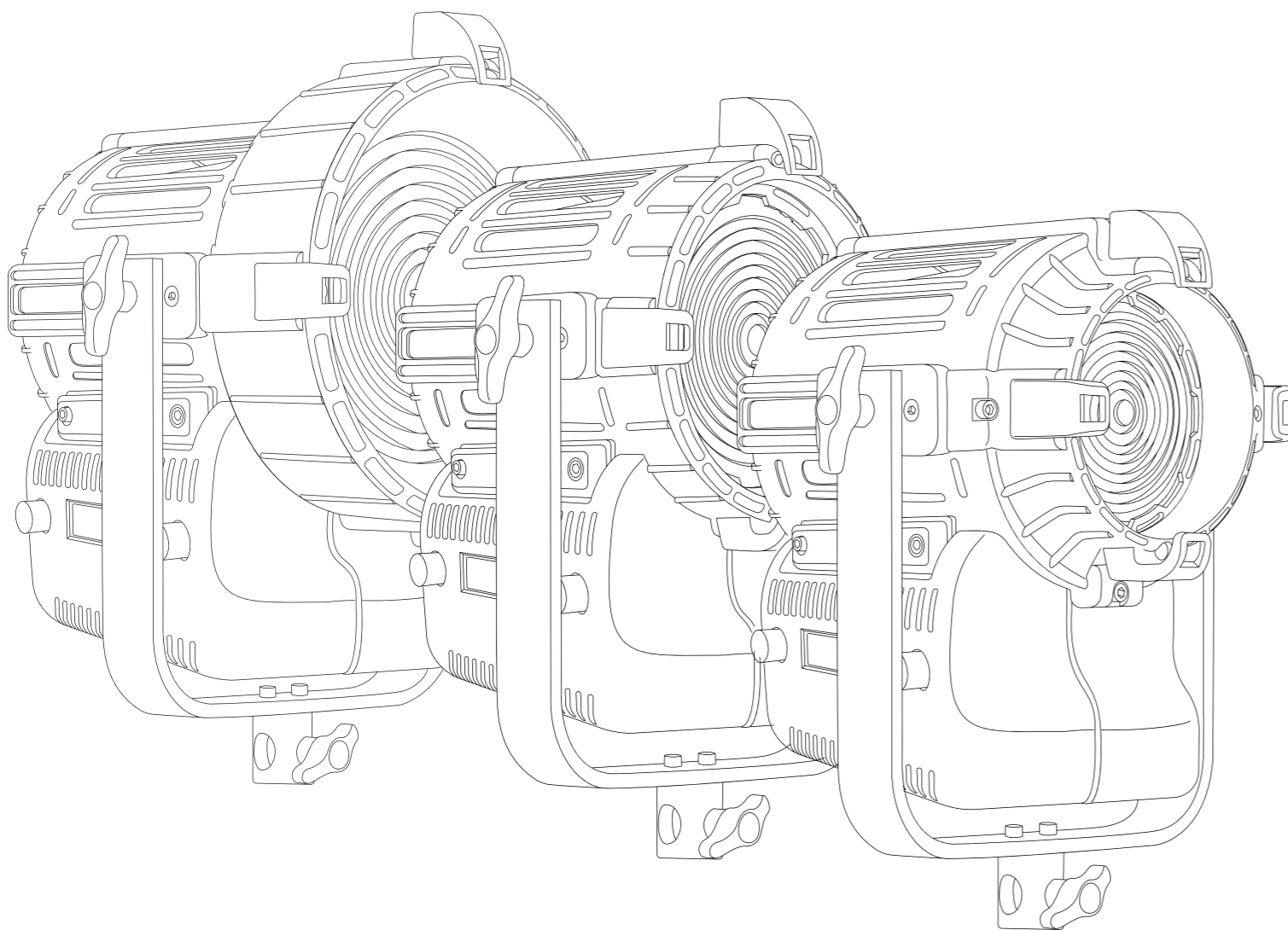


MENU e submenus

- Select **"EXIT"** to return to the current mode.
- Select **"BACK"** to return to the previous menu.



NOTE: After 1 minute of inactivity in the menu, the device automatically exits and returns to the last selected mode.

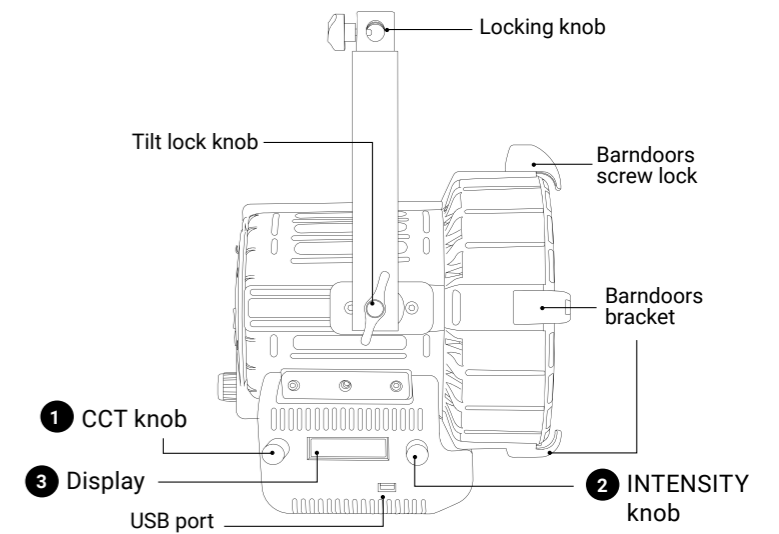
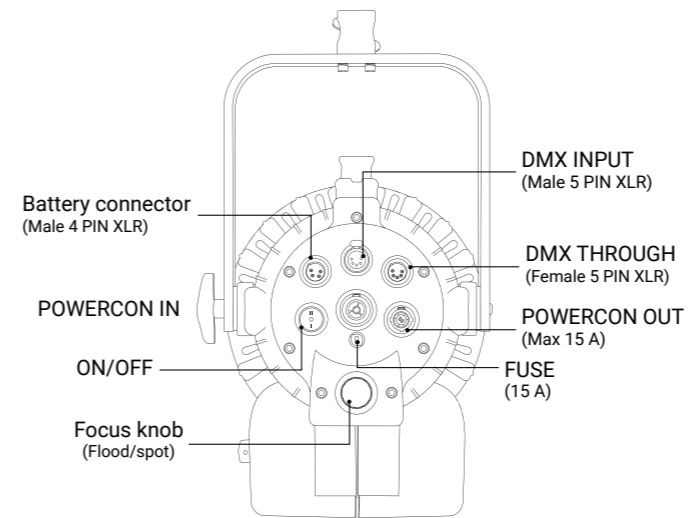


Instructions

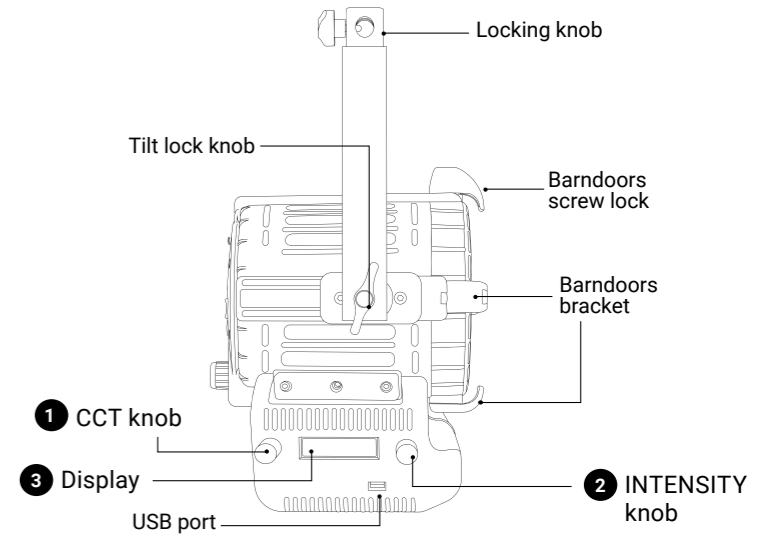
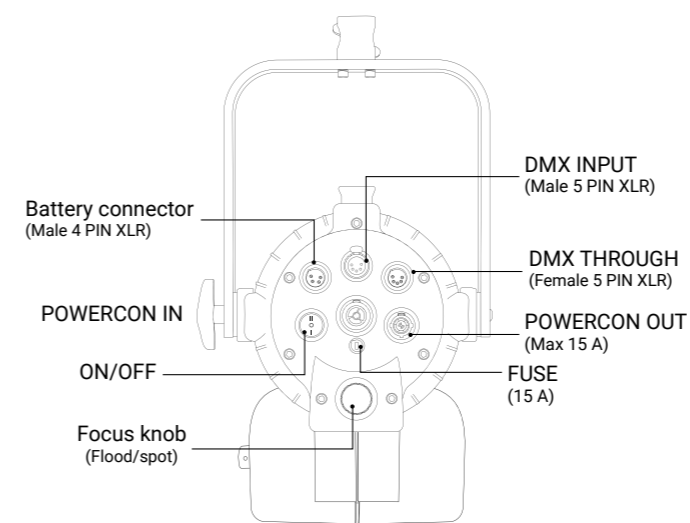
- Device for indoor use only.
- Maximum ambient temperature: 40 °C.
- Make sure power supply plug is suitable to power required.
- As prescribed by international regulations, a safety cable must be used when the fixture is suspended from ceiling.
- To switch on the light push the on/off button.
- DayledPRO models are equipped with new generation high quality powerleds.

Getting Started with the DayledPRO Full Color

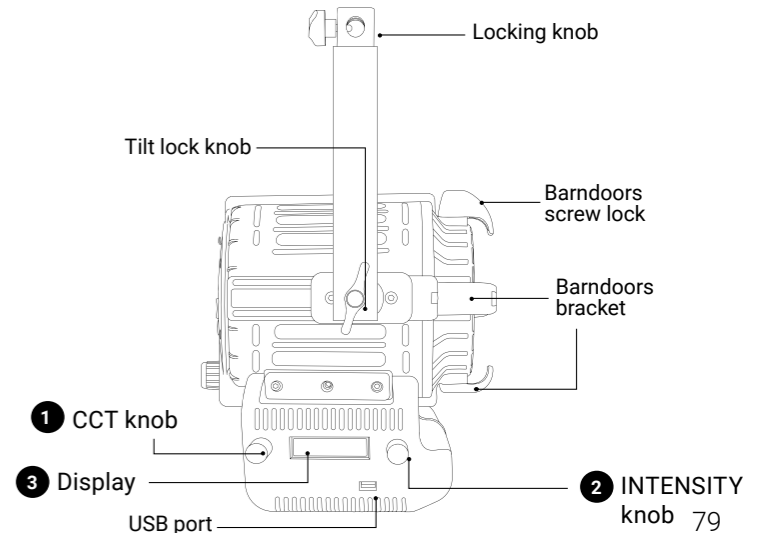
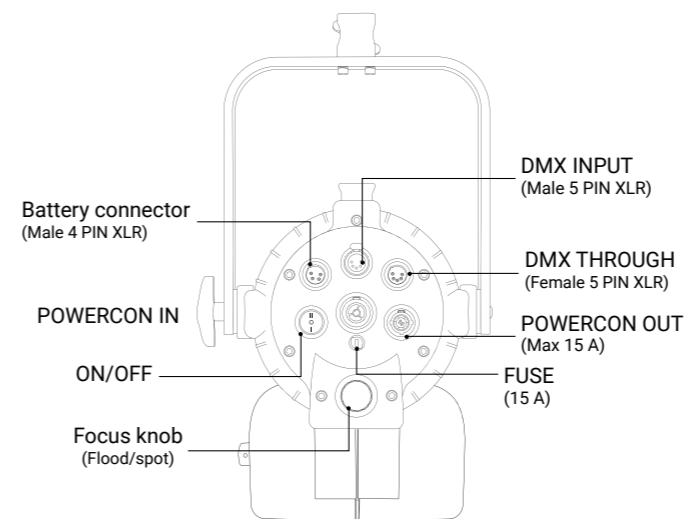
DayledPRO Full Color 2000



DayledPRO Full Color 1000



DayledPRO Full Color 1000



User Manuals

- 306 PRO DayledPRO Full Color 650
- 307 PRO DayledPRO Full Color 1000
- 308 PRO DayledPRO Full Color 2000

CONTROL PANEL

- In current mode press the ② push button to enter the main MENU.
- In the sub-menus press the ② push button to confirm a selection.
- Rotate the ② knob to navigate in the main MENU and sub-menus.
- Use the « INTENSITY » ② knob to adjust the **light intensity from 0 to 100%**.
- Use the knob ① to adjust the light mode parameters.
- Display ③.

⚠ **ATTENTION:** The **light intensity** level is adjustable from **0 - 50%** if the **FAN** is **OFF**. The value on the display flashes.

MODE

1. Press the ② push button to enter the main MENU.
2. Select **MODE** by pressing the ② push button.
3. Select the light mode among **CCT** with the ② knob and press the ② push button to confirm selection.
4. Select among **CCT / HSI / RGBW / PRESET / EFFECT / SAVE PRESET** with the ② knob and press the ② push button to confirm selection
5. See **LIGHT MODES**.

LIGHT MODES

MODE	INTENSITY ④	CCT/HUE ⑤	GN/SAT/COLOR ⑥	GN/SAT/COLOR ⑥
CCT	Light Intensity from 0 to 100%	CT 2800 K to 10000 K	GN - 1.00 to + 1.00	-
HSI		HUE 0° to 100°	SAT 0 to 100%	-
RGBW		-	Select function R/G/B/W/CT/GN	Change values of the function
PRESET		-	-	Change Preset

CCT MODE: Warm and cold white control mode. It allows you to adjust colour temperature (CCT), green/magenta compensation (GN) and light intensity. *This is the default setting.*

1. In MODE menu select **EFFECT MODE**.
2. Select the EFFECT to be activated with rotate the ② button, confirm the selection by pressing the ② push button.
3. Use the knob ② to change the DIMMER and the knob ① to adjust the effect setting values.

⚠ **ATTENTION:** Rotating the ① knob changes the CT value- Pressing ① button select GN value that can be changed by rotating the same ① knob.

DMX OPERATIONS

1. Press the ② push button to enter the main MENU.
2. Select **CONTROL** with the ② knob and press the ② push button to confirm selection.
3. Select **DMX** with the ② knob and press the ② push button to confirm selection.
4. Select the DMX channel, rotating the ① knob to change DMX ADDRESS in ascending or descending order among 1 and 512. The number shown on the display ③ is the selected channel to communicate with the control desk.
5. See **DMX PROTOCOL MANUAL** for DMX channel specification.

NOTE: The symbol - ! - on the display indicates that there is **no DMX signal**.

BLUETOOTH

1. Press the ② push button to enter the main MENU.
1. Select **CONTROL** with the ② knob and press the ② push button to confirm selection.
2. Select **BLE** with the ② knob and press the ② push button to confirm selection.

DMX OPERATIONS - Advanced Settings

1. Press the ② push button to enter the main MENU.
2. Navigate through the main MENU with the ② knob until **DEVICE SETTINGS** and press the ② push button to confirm selection.
3. Rotate the ② knob to select **DMX ADVANCED**, press the ② push button to confirm selection.
4. Select one of the options among the **DMX BIT, DMX SIGNAL LOSS, RDM ENABLE, STROBE ENABLE** and **INV CCT** press ② push button to confirm the selection.

DMX BIT:

Resolution of the DMX control. 8bit 1 channel per function and 16 bit 2 channels per function.

1. Select the **DMX BIT** item by pressing the ② push button.
2. Rotate the ② knob to choose between **8bit / 16bit**, press the ② push button to confirm the selected setting. See **DMX PROTOCOL MANUAL**.

DMX SIGNAL LOSS:

This feature allows to choose the device's behaviour in case of a DMX signal loss.

1. Select the **LOSS DMX SIGNAL** item with the ② push button
2. Rotate the ② knob to select the device's behaviour among **BLACK OUT /SETTINGS LAST / SETTINGS 1min**, press the ② push button to confirm the setting.

Black out: The device switches off.

Settings Last: The values of the last selected setting are maintained over time until the device is switched off.

Settings 1min: The values of the last selected settings is maintained for one minute and then the device switch off.

RDM Enable: ON/OFF, enable/disable RDM Protocol

INV CCT: ON/FF: enable/disable reversal CCT console control

DMX Protocol

Introduction

The SuperpanelPRO and UltrapanelPRO can be used with 8 bit or 16 bit DMX control. (See **DMX OPERATION - advanced settings** in the user's manual). When used in **8 bit mode** the panels uses **one channel for each function**. DMX values for each channel are in the range of 0 to 255. When used in **16 bit mode** the panels uses **two channels for each function**. The increased resolution offers a smooth dimming and a more accurate color adjustment. DMX values for the first channel (byte 1) are in the range of 256 to 65535 while for the second channel (byte 2) they are in the range of 0 to 255.

⚠ **ATTENTION:** The symbol - ! - on the display indicates that there is **no DMX signal**.

⚠ **ATTENTION:** * If the **STROBE** in the DMX ADVANCED SETTINGS is enabled, there are 1 more channel in 8 bit and 2 more channels in 16 bit:

DMX Channel Protocol - 8 bit

MODE	CHANNELS	DMX CHANNEL POSITION	DMX VALUE	VALUE
CCT	3/4*	1. DIMMER	0 - 255	0 - 100 %
		2. COLOR TEMPERATURE	0 - 255	6500 - 2700
		3. GN COMPENSATION	0 ÷ 5	∅
			6 ÷ 255	- 1,00 ÷ + 1,00
4. *STROBE CONTROL	0 ÷ 5	∅		
	6 ÷ 255	1 ÷ 25 Hz		

HSI	3/4*	1. DIMMER	0 - 255	0 ÷ 100 %
		2. HUE	0 ÷ 253	0 ÷ 360
		3. SATURATION	0 ÷ 255	0 ÷ 100 %
		4. *STROBE CONTROL	0 ÷ 255	0 - 25 Hz
RGBW	7/8*	1. DIMMER	0 - 255	0 ÷ 100 %
		2. RED	0 ÷ 255	0 ÷ 100 %
		3. GREEN	0 ÷ 255	0 ÷ 100 %
		4. BLUE	0 ÷ 255	0 ÷ 100 %
		5. WHITE	0 ÷ 255	0 ÷ 100 %
		6. COLOR TEMPERATURE	0 - 255	6500 - 2700
		7. GN COMPENSATION	0 ÷ 5	∅
		8. *STROBE CONTROL	6 ÷ 255	- 1.00 ÷ +1.00
FRGBW	7/8*	1. DIMMER	0 - 255	0 ÷ 100 %
		2. RED	0 ÷ 255	0 ÷ 100 %
		3. GREEN	0 ÷ 255	0 ÷ 100 %
		4. BLUE	0 ÷ 255	0 ÷ 100 %
		5. WHITE	0 ÷ 255	0 ÷ 100 %
		6. COLOR TEMPERATURE	0 - 255	6500 - 2700
		7. GN COMPENSATION	0 ÷ 5	∅
		8. *STROBE CONTROL	6 ÷ 255	- 1.00 ÷ +1.00
PRESET	3/4*	1. DIMMER	0 - 255	0 ÷ 100 %
		2. PRESET	0 ÷ 255	0 ÷ N PRESET
		3. PRESET FREEZE	0 - 50	NO FREEZE
		4. *STROBE CONTROL	200 ÷ 255	FREEZE
		4. *STROBE CONTROL	0 ÷ 255	0 - 25 Hz

RGBW	14/16*	13. GN COMPENSATION - byte 1	0 ÷ 500	∅
		14. GN COMPENSATION - byte 2	501 ÷ 65535	-1,00 ÷ + 1,00
		15. *STROBE CONTROL - byte 1	0 ÷ 1300	∅
		16. *STROBE CONTROL - byte 2	1301 ÷ 65535	1 ÷ 25 Hz
FRGBW	14/16*	1. DIMMER - byte 1	0 - 65535	0 ÷ 100 %
		2. DIMMER - byte 2		
		3. RED - byte 1	0 ÷ 65535	0 ÷ 100 %
		4. RED - byte 2		
		5. GREEN - byte 1	0 ÷ 65535	0 ÷ 100 %
		6. GREEN - byte 2		
		7. BLUE - byte 1	0 ÷ 65535	0 ÷ 100 %
		8. BLUE - byte 2		
		9. WHITE - byte 1	0 ÷ 65535	0 ÷ 100 %
		10. WHITE - byte 2		
		11. COLOR TEMPERAT. - byte 1	0 - 65535	6500 - 2700
		12. COLOR TEMPERAT. - byte 2		
		13. GN COMPENSATION - byte 1	0 ÷ 500	∅
		14. GN COMPENSATION - byte 2	501 ÷ 65535	-1,00 ÷ + 1,00
		15. *STROBE CONTROL - byte 1	0 ÷ 1300	∅
		16. *STROBE CONTROL - byte 2	1301 ÷ 65535	1 ÷ 25 Hz
PRESET	6/8*	1. DIMMER - byte 1	0 - 65535	0 ÷ 100 %
		2. DIMMER - byte 2		
		3. PRESET - byte 1	0 ÷ 65535	0 ÷ N PRESET
		4. PRESET - byte 2		
		5. PRESET FREEZE - byte 1	0 - 12800 > no freeze	51200 ÷ 65535 freeze
		6. PRESET FREEZE - byte 2		
		7. *STROBE CONTROL - byte 1	0 ÷ 1300	∅
		8. *STROBE CONTROL - byte 2	1301 ÷ 65535	1 ÷ 25 Hz

DMX Channel Protocol - 16 bit

MODE	CHANNELS	DMX CHANNEL POSITION	DMX VALUE	VALUE
CCT	6/8*	1. DIMMER - byte 1	0 - 65535	0 ÷ 100 %
		2. DIMMER - byte 2		
		3. COLOR TEMPERATURE - byte 1	0 - 65535	6500 - 2700
		4. COLOR TEMPERATURE - byte 2		
		5. GN COMPENSATION - byte 1	0 ÷ 500	∅
		6. GN COMPENSATION - byte 2	501 ÷ 65535	- 1.00 ÷ + 1.00
		7. *STROBE CONTROL - byte 1	0 ÷ 1300	∅
		8. *STROBE CONTROL - byte 2	1301 ÷ 65535	1 ÷ 25 Hz
HSI	6/8*	1. DIMMER - byte 1	0 - 65535	0 ÷ 100 %
		2. DIMMER - byte 2		
		3. HUE - byte 1	0 ÷ 65535	0 ÷ 360
		4. HUE - byte 2		
		5. SATURATION - byte 1	0 ÷ 65535	0 ÷ 100%
		6. SATURATION - byte 2		
		7. *STROBE CONTROL - byte 1	0 ÷ 1300	∅
		8. *STROBE CONTROL - byte 2	1301 ÷ 65535	1 ÷ 25 Hz
RGBW	14/16*	1. DIMMER - byte 1	0 - 65535	0 ÷ 100 %
		2. DIMMER - byte 2		
		3. RED - byte 1	0 - 65535	0 ÷ 100 %
		4. RED - byte 2		
		5. GREEN - byte 1	0 + 65535	0 ÷ 100 %
		6. GREEN - byte 2		
		7. BLUE - byte 1	0 + 65535	0 ÷ 100 %
		8. BLUE - byte 2		
		9. WHITE - byte 1	0 + 65535	0 ÷ 100 %
		10. WHITE - byte 2		
		11. COLOR TEMPERAT. - byte 1	0 - 65535	6500 - 2700
		12. COLOR TEMPERAT. - byte 2		

RDM Protocol Specification

COMMAND	PID	DESCRIPTION
Manufacturer ID	0x0622	Manufacturer identification number (LUPO Lighting).
Device Identification		
Model ID		Model identification number
	1	Dayled 650 mono color
	2	Dayled 650 dual color
	3	Dayled 1000 mono color
	4	Dayled 1000 dual color
	5	Dayled 2000 mono color
	6	Dayled 2000 dual color
	7	Superpanel 30 dual color soft
	8	Superpanel 30 dual color lens
	9	Superpanel 30 full color soft
	10	Superpanel 30 full color lens
	11	Superpanel 60 dual color soft
	12	Superpanel 60 dual color lens
	13	Superpanel 60 full color soft

	14	Superpanel 60 full color lens
	15	Actionpanel dual color soft
	16	Actionpanel dual color lens
	17	Actionpanel full color soft
	18	Actionpanel full color lens
	19	Kickasspanel dual color
	20	Kickasspanel full color
	21	Lupoled monocolour
	22	Lupoled dualcolor
	23	Movielight monocolour
	24	Movielight dual color
	25	Ultrapanel 30 dual color soft
	26	Ultrapanel 30 dual color lens
	27	Ultrapanel 60 full color soft
	28	Ultrapanel 60 full color lens
	29	Ultrapanel 30 full color soft
	30	Ultrapanel 30 full color lens
	31	Ultrapanel 60 dual color soft
	32	Ultrapanel 60 dual color lens
	33	Dayled 650 PRO Full Color
	34	Dayled 1000 PRO Full Color
	35	Dayled 2000 PRO Full Color
Personality		DMX Personality
	0x01	CCT
Network management		
DISC UNIQUE BRANCH	0x0001	Search RDM devices
DISC MUTE	0x0002	Mute RDM device, no response message
DISC UN MUTE	0x0003	Activate RDM device fo response message
Status collection		
QUEUED MESSAGES	0x0020	Retrieves queued messages or status message if no message is in queue
STATUS MESSAGES	0x0030	Retrieves current Warning/Error messages
RDM Information		
SUPPORTED PARAMETERS	0x0050	Retrieves a list of all supported RDM commands
PARAMETER DESCRIPTION	0x0051	Retrieves a list of all RDM commands
Product Information		
DEVICE INFO	0x0060	Retrieves a variety of information about the device that is normally required by a controller.
DEVICE MODEL DESCRIPTION	0x0080	Text description of up to 32 characters for the device model type.
MANUFACTURER LABEL	0x0081	This parameter provides an ASCII text response with the Manufacturer name for the device. "LUPO" is the default name.
FACTORY DEFAULTS	0x0090	Set the device to its factory defaults. Get: Check if settings still in default state -> 1 if default
SOFTWARE VERSION LABEL	0x00C0	Retrieves software version string of main software

DMX512 Setup		
DMX PERSONALITY	0x00E0	DMX mode
DMX PERSONALITY DESCRIPTION	0x00E1	Shows a description of a DMX-Mode, max 32 characters
DMX START ADDRESS	0x00F0	DMX address
Control		
IDENTIFY DEVICE	0x1000	The identify flag (flashes the light)
Manufacturer Commands		
FAN MODE	0x8001	0: Off 1: On
DISPLAY TIMEOUT	0x8002	0: 30 sec 1: 1 min 2: always on
DMX SIGNAL LOST MODE	0x8003	0: black out 1: last settings on 2: last settings 1 min
DMX BITS	0x8004	0: 8 bit 1: 16 bit
CCT LIMIT	0x8005	0: 2800-10000 1: 3200-5600
LINEARIZATION	0x8006	0: linear 1: exponential 2: logarithmic
FILTER	0x8007	0: full speed 1: normal speed 2: high speed 3: low speed
FREQUENCY	0x8008	0: 18 KHz 1: 25 KHz
INV - CCT	0x8009	0: not inverted 1: inverted

DEVICE SETTINGS

1. Press the **2** push button to enter the main MENU.
2. Navigate through the MENU rotating the **2** button, select **DEVICE SETTINGS**, press the **2** push button to confirm the selection.
3. Navigate through the MENU rotating the **2** button, select **GENERAL**, press the **2** push button to confirm the selection.
4. Navigate through the **FAN POWER / DISPLAY / FREQUENCY / FILTER / LINEARIZATION / CCT LIMIT** functions, rotating the **2** button to select the desired function and press the **2** push button to confirm the selection.
5. Within each function select the option to be activated and rotate the **2** button.

Fan Power: Fan operation **ON / OFF**.

When the fan is **OFF** the **light intensity** be adjustable between **0 and 50%**.

Display: Time during which the display backlight stays on. **30sec / 1min / ALWAYS ON**.

Frequency: Dimmer frequency 18 KHz - 25 KHz

Filter: It is the speed response of the system (smooth factor).

FULL SPEED / NORMAL SPEED / HIGH SPEED / LOW SPEED.

Linearization: Linearization is the compensation curve for the human eye's perception of the luminous intensity emitted as a function of the required power. Required power = dimmer value on the display. **LINEAR / EXPONENTIAL / LOGARITHMIC**.

Linear: No compensation, the intensity of the light is directly proportional to requested power.

Exponential: The light intensity increases from 0 to 100 exponentially.

Logarithmic: The light intensity increases from 0 to 100 logarithmically.

CCT Limit: CCT range 2800 - 6500 or 3200 - 5600

RESET DEVICE

1. Press the « OK » ② button to enter the main MENU.
2. Select **RESET DEVICE** rotating the ② button, press the ② push button to confirm the selection.
3. Select **YES** rotating the ② button, press the ② push button to confirm the selection.
4. The device ask for further confirmation, select **YES** by pressing the press the ② push button. **THE DEVICE RETURNS TO FACTORY DEFAULT SETTINGS.**

FACTORY DEFAULT SETTING

MODE	DEVICE SETTINGS
CCT	FAN: ON
DMX OPERATION	DISPLAY: 1 min
BIT: 8 BIT	FILTER : Normal speed
DMX SIGNAL LOSS: Settings 1 MIN	LINEARIZATION: Linear
RDM ENABLE: OFF	FREQUENCY: 18 KHz
INV - CCT: OFF	CONTROL
	Manual

USB PORT

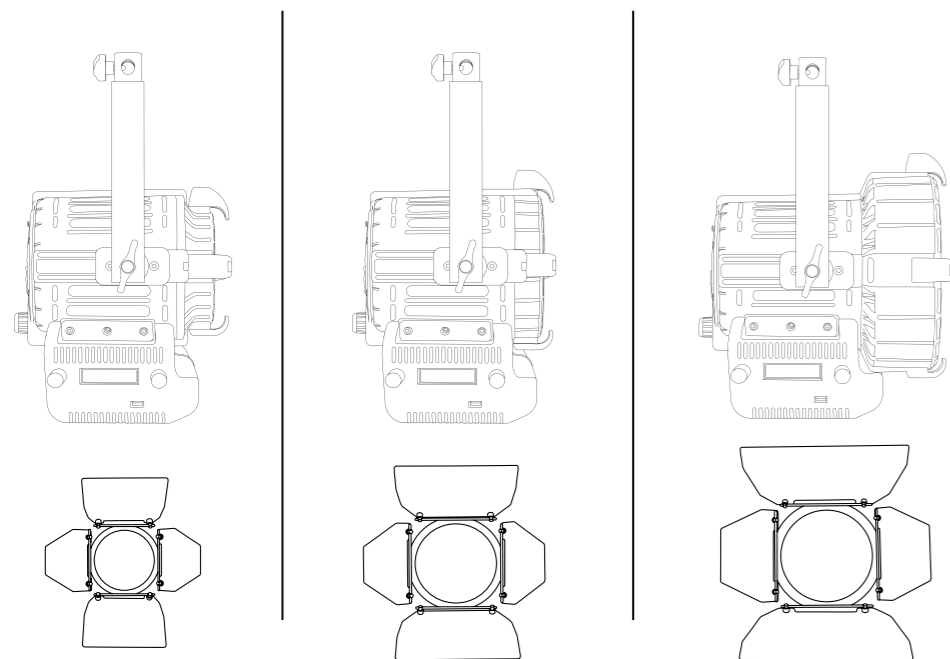
Use USB port for firmware updates.

Update the Firmware

1. Copy the file on an USB Pendrive (FAT32 formatted) in the main root;
2. Switch off the equipment and insert the USB Pendrive;
3. Switch on the equipment;
4. Wait until display backlight flashes (it takes several minutes and red led must toggle for all time long);
5. Switch off the equipment;
6. Extract the Pendrive and switch on the equipment: the firmware is updated.

Package Contents for DayledPRO

DayledPRO models + Barndoors



DayledPRO 650

DayledPRO 1000

DayledPRO 2000

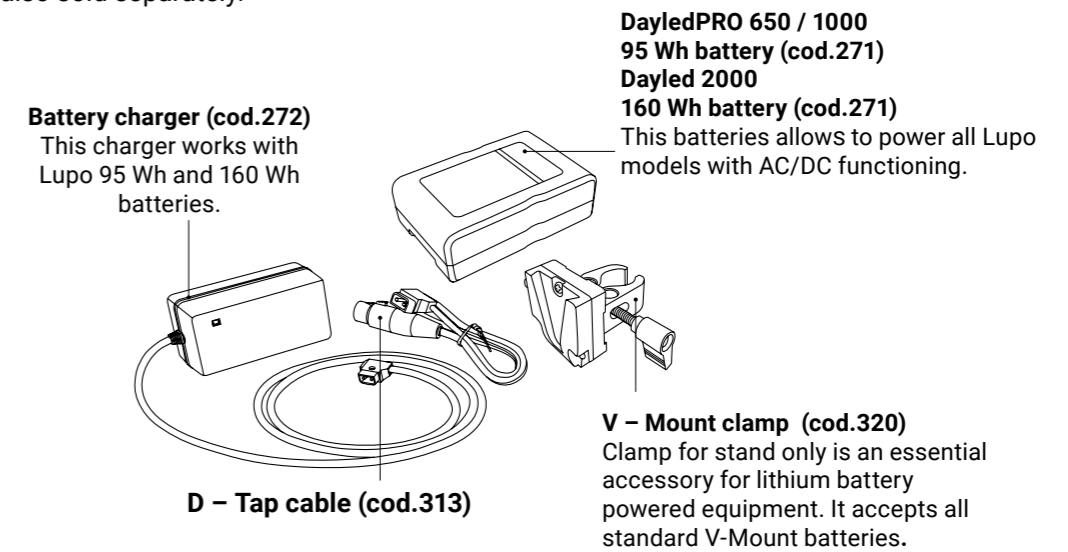
⚠ ATTENTION: Please keep the original package of the product in a safe place for warranty reasons.

ACCESSORIES

The accessories are products sold separately.

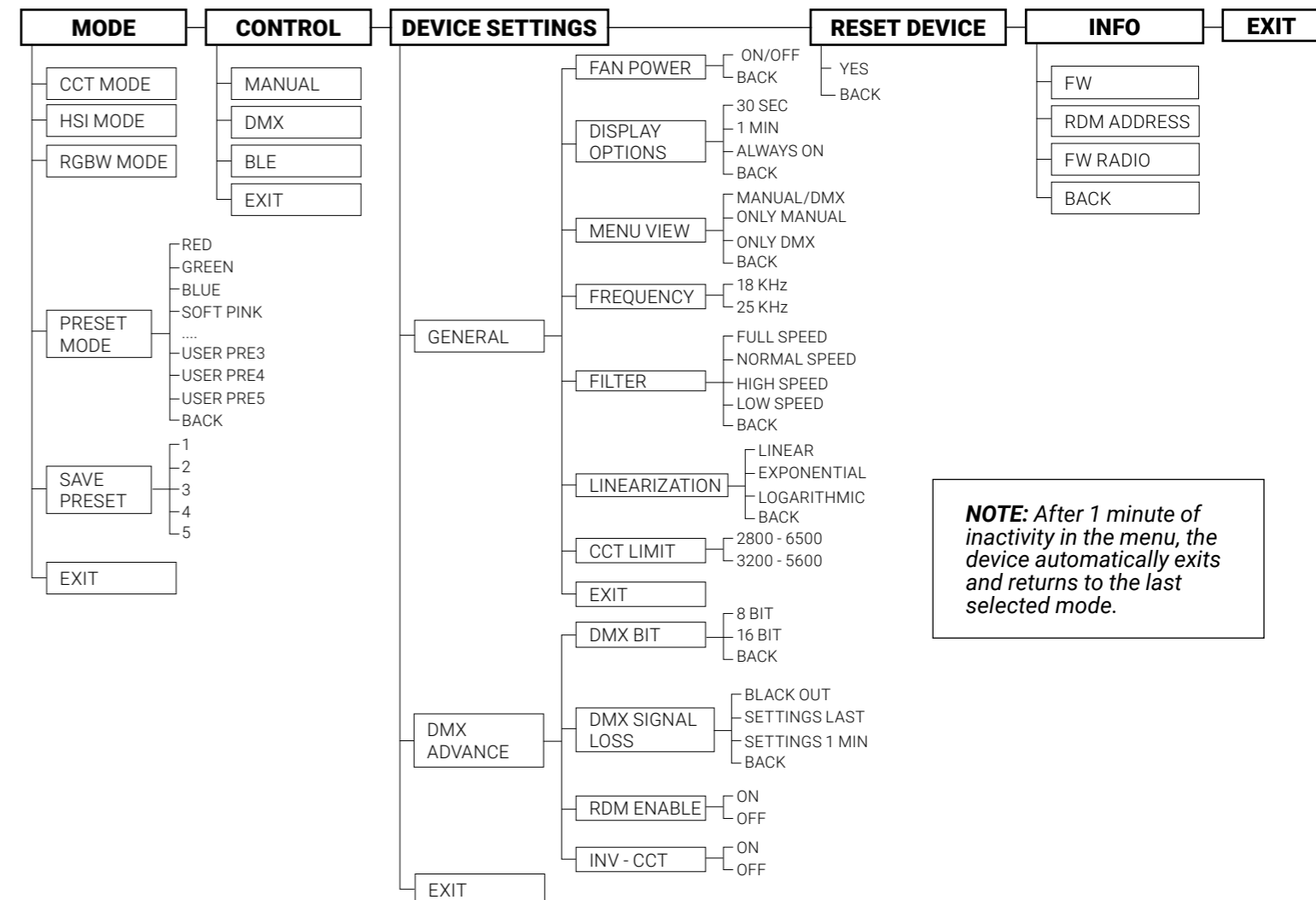
COMPLETE KIT OF V-MOUNT BATTERY POWER SUPPLY FOR DAYLEDPRO FULL COLOR 650 AND 1000.

The items are also sold separately.

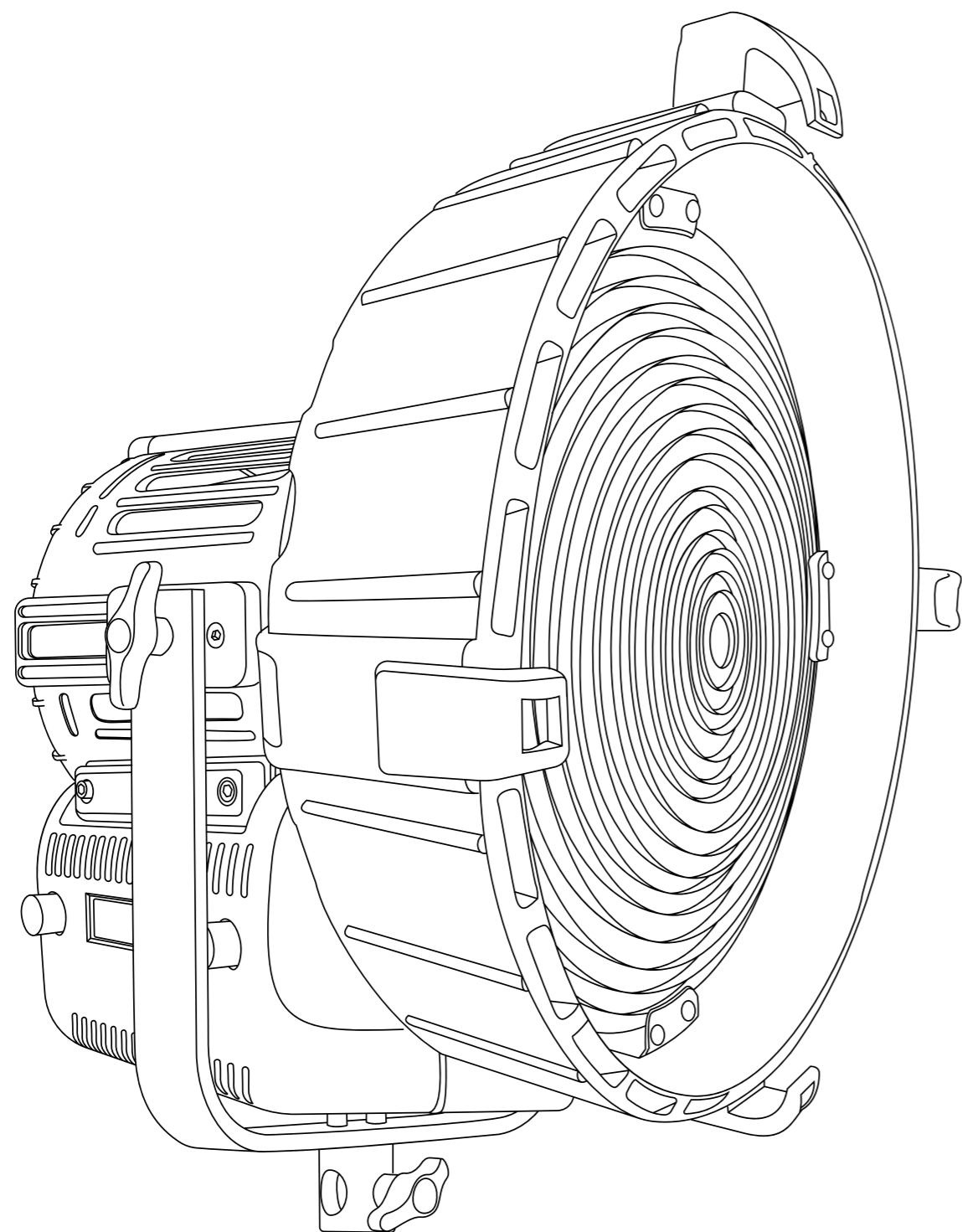


MENU e submenus

- Select **"EXIT"** to return to the current mode.
- Select **"BACK"** to return to the previous menu.



NOTE: After 1 minute of inactivity in the menu, the device automatically exits and returns to the last selected mode.



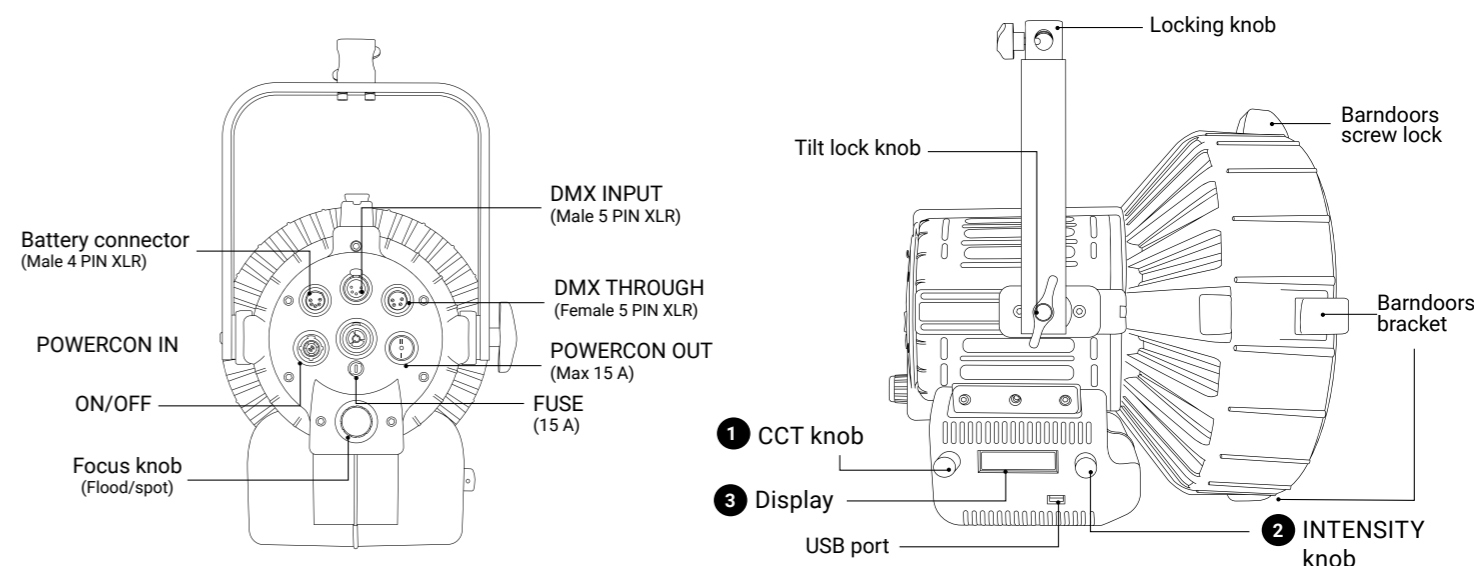
User Manuals

311 PRO DayledPRO Full Color 3000

Instructions

- Device for indoor use only.
- Maximum ambient temperature: 40 °C.
- Make sure power supply plug is suitable to power required.
- As prescribed by international regulations, a safety cable must be used when the fixture is suspended from ceiling.
- To switch on the light push the on/off button.
- DayledPRO 3000 models are equipped with new generation high quality powerleds.

Getting Started with the DayledPRO Full Color 3000



CONTROL PANEL

- In current mode press the **2** push button to enter the main MENU.
- In the sub-menus press the **2** push button to confirm a selection.
- Rotate the **2** knob to navigate in the main MENU and sub-menus.
- Use the « **INTENSITY** » **2** knob to adjust the **light intensity from 0 to 100%**.
- Use the knob **1** to adjust the light mode parameters.
- Display **3**.

⚠ ATTENTION: The **light intensity** level is adjustable from **0 - 50%** if the **FAN** is **OFF**. The value on the display flashes.

MODE

1. Press the **2** push button to enter the main MENU.
2. Select **MODE** by pressing the **2** push button.
3. Select the light mode among **CCT** with the **2** knob and press the **2** push button to confirm selection.
4. Select among **CCT / HSI / RGBW / PRESET / EFFECT / SAVE PRESET** with the **2** knob and press the **2** push button to confirm selection
5. See **LIGHT MODES**.

LIGHT MODES

MODE	INTENSITY 4	CCT/HUE 5	GN/SAT/COLOR 6	GN/SAT/COLOR 6
CCT	Light Intensity from 0 to 100%	CT 2800 K to 10000 K	GN - 1.00 to + 1.00	-
HSI		HUE 0° to 100°	SAT 0 to 100%	-
RGBW		-	Select function R/G/B/W/CT/GN	Change values of the function
PRESET		-	-	Change Preset

CCT MODE: Warm and cold white control mode. It allows you to adjust colour temperature (CCT), green/magenta compensation (GN) and light intensity. *This is the default setting.*

1. In MODE menu select **EFFECT MODE**.
2. Select the EFFECT to be activated with rotate the ② button, confirm the selection by pressing the ② push button.
3. Use the knob ② to change the DIMMER and the knob ① to adjust the effect setting values.

⚠ ATTENTION: Rotating the ① knob changes the CT value- Pressing ① button select GN value that can be changed by rotating the same ① knob.

DMX OPERATIONS

1. Press the ② push button to enter the main MENU.
2. Select **CONTROL** with the ② knob and press the ② push button to confirm selection.
3. Select **DMX** with the ② knob and press the ② push button to confirm selection.
4. Select the DMX channel, rotating the ① knob to change DMX ADDRESS in ascending or descending order among 1 and 512. The number shown on the display ③ is the selected channel to communicate with the control desk.
5. See **DMX PROTOCOL MANUAL** for DMX channel specification.

NOTE: The symbol - ! - on the display indicates that there is **no DMX signal**.

BLUETOOTH

1. Press the ② push button to enter the main MENU.
1. Select **CONTROL** with the ② knob and press the ② push button to confirm selection.
2. Select **BLE** with the ② knob and press the ② push button to confirm selection.

DMX OPERATIONS - Advanced Settings

1. Press the ② push button to enter the main MENU.
2. Navigate through the main MENU with the ② knob until **DEVICE SETTINGS** and press the ② push button to confirm selection.
3. Rotate the ② knob to select **DMX ADVANCED**, press the ② push button to confirm selection.
4. Select one of the options among the **DMX BIT**, **DMX SIGNAL LOSS**, **RDM ENABLE**, **STROBE ENABLE** and **INV CCT** press ② push button to confirm the selection.

DMX BIT:

Resolution of the DMX control. 8bit 1 channel per function and 16 bit 2 channels per function.

1. Select the **DMX BIT** item by pressing the ② push button.
2. Rotate the ② knob to choose between **8bit / 16bit**, press the ② push button to confirm the selected setting. See **DMX PROTOCOL MANUAL**.

DMX SIGNAL LOSS:

This feature allows to choose the device's behaviour in case of a DMX signal loss.

1. Select the **LOSS DMX SIGNAL** item with the ② push button
2. Rotate the ② knob to select the device's behaviour among **BLACK OUT /SETTINGS LAST / SETTINGS 1min**, press the ② push button to confirm the setting.

Black out: The device switches off.

Settings Last: The values of the last selected setting are maintained over time until the device is switched off.

Settings 1min: The values of the last selected settings is maintained for one minute and then the device switch off.

RDM Enable: ON/OFF, enable/disable RDM Protocol

INV CCT: ON/FF: enable/disable reversal CCT console control

DMX Protocol

Introduction

The SuperpanelPRO and UltrapanelPRO can be used with 8 bit or 16 bit DMX control. (See **DMX OPERATION - advanced settings** in the user's manual). When used in **8 bit mode** the panels uses **one channel for each function**. DMX values for each channel are in the range of 0 to 255. When used in **16 bit mode** the panels uses **two channels for each function**. The increased resolution offers a smooth dimming and a more accurate color adjustment. DMX values for the first channel (byte 1) are in the range of 256 to 65535 while for the second channel (byte 2) they are in the range of 0 to 255.

⚠ ATTENTION: The symbol - ! - on the display indicates that there is **no DMX signal**.

⚠ ATTENTION: * If the **STROBE** in the DMX ADVANCED SETTINGS is enabled, there are 1 more channel in 8 bit and 2 more channels in 16 bit:

DMX Channel Protocol - 8 bit

MODE	CHANNELS	DMX CHANNEL POSITION	DMX VALUE	VALUE
CCT	3/4*	1. DIMMER	0 - 255	0 - 100 %
		2. COLOR TEMPERATURE	0 - 255	6500 - 2700
		3. GN COMPENSATION	0 ÷ 5	∅
		4. *STROBE CONTROL	6 ÷ 255	- 1,00 ÷ + 1,00
HSI	3/4*	1. DIMMER	0 - 255	0 ÷ 100 %
		2. HUE	0 ÷ 253	0 ÷ 360
		3. SATURATION	0 ÷ 255	0 ÷ 100 %
		4. *STROBE CONTROL	0 ÷ 255	0 - 25 Hz
RGBW	7/8*	1. DIMMER	0 - 255	0 ÷ 100 %
		2. RED	0 ÷ 255	0 ÷ 100 %
		3. GREEN	0 ÷ 255	0 ÷ 100 %
		4. BLUE	0 ÷ 255	0 ÷ 100 %
		5. WHITE	0 ÷ 255	0 ÷ 100 %
		6. COLOR TEMPERATURE	0 - 255	6500 - 2700
		7. GN COMPENSATION	0 ÷ 5	∅
		8. * STROBE CONTROL	6 ÷ 255	- 1.00 ÷ +1.00
FRGBW	7/8*	1. DIMMER	0 - 255	0 ÷ 100 %
		2. RED	0 ÷ 255	0 ÷ 100 %
		3. GREEN	0 ÷ 255	0 ÷ 100 %
		4. BLUE	0 ÷ 255	0 ÷ 100 %
		5. WHITE	0 ÷ 255	0 ÷ 100 %
		6. COLOR TEMPERATURE	0 - 255	6500 - 2700
		7. GN COMPENSATION	0 ÷ 5	∅
		8. * STROBE CONTROL	6 ÷ 255	- 1.00 ÷ +1.00
PRESET	3/4*	1. DIMMER	0 - 255	0 ÷ 100 %
		2. PRESET	0 ÷ 255	0 ÷ N PRESET
		3. PRESET FREEZE	0 - 50	NO FREEZE
		4. * STROBE CONTROL	200 ÷ 255	FREEZE
			0 ÷ 255	0 - 25 Hz

RDM Protocol Specification

MODE	CHANNELS	DMX CHANNEL POSITION	DMX VALUE	VALUE
CCT	6/8*	1. DIMMER - byte 1	0 - 65535	0 ÷ 100 %
		2. DIMMER - byte 2		
		3. COLOR TEMPERATURE - byte 1	0 - 65535	6500 - 2700
		4. COLOR TEMPERATURE - byte 2		
		5. GN COMPENSATION - byte 1	0 ÷ 500	∅
		6. GN COMPENSATION - byte 2	501 ÷ 65535	- 1.00 ÷ + 1.00
		7. *STROBE CONTROL - byte 1	0 ÷ 1300	∅
		8. *STROBE CONTROL - byte 2	1301 ÷ 65535	1 ÷ 25 Hz
HSI	6/8*	1. DIMMER - byte 1	0 - 65535	0 ÷ 100 %
		2. DIMMER - byte 2		
		3. HUE - byte 1	0 ÷ 65535	0 ÷ 360
		4. HUE - byte 2		
		5. SATURATION - byte 1	0 ÷ 65535	0 ÷ 100%
		6. SATURATION - byte 2		
		7. *STROBE CONTROL - byte 1	0 ÷ 1300	∅
		8. *STROBE CONTROL - byte 2	1301 ÷ 65535	1 ÷ 25 Hz
RGBW	14/16*	1. DIMMER - byte 1	0 - 65535	0 ÷ 100 %
		2. DIMMER - byte 2		
		3. RED - byte 1	0 - 65535	0 ÷ 100 %
		4. RED - byte 2		
		5. GREEN - byte 1	0 + 65535	0 ÷ 100 %
		6. GREEN - byte 2		
		7. BLUE - byte 1	0 + 65535	0 ÷ 100 %
		8. BLUE - byte 2		
		9. WHITE - byte 1	0 + 65535	0 ÷ 100 %
		10. WHITE - byte 2		
		11. COLOR TEMPERAT. - byte 1	0 - 65535	6500 - 2700
		12. COLOR TEMPERAT. - byte 2		
RGBW	14/16*	13. GN COMPENSATION - byte 1	0 ÷ 500	∅
		14. GN COMPENSATION - byte 2	501 ÷ 65535	-1,00 ÷ + 1,00
		15. *STROBE CONTROL - byte 1	0 ÷ 1300	∅
		16. *STROBE CONTROL - byte 2	1301 ÷ 65535	1 ÷ 25 Hz
FRGBW	14/16*	1. DIMMER - byte 1	0 - 65535	0 ÷ 100 %
		2. DIMMER - byte 2		
		3. RED - byte 1	0 ÷ 65535	0 ÷ 100 %
		4. RED - byte 2		
		5. GREEN - byte 1	0 ÷ 65535	0 ÷ 100 %
		6. GREEN - byte 2		
		7. BLUE - byte 1	0 ÷ 65535	0 ÷ 100 %
		8. BLUE - byte 2		
		9. WHITE - byte 1	0 ÷ 65535	0 ÷ 100 %
		10. WHITE - byte 2		
		11. COLOR TEMPERAT. - byte 1	0 - 65535	6500 - 2700
		12. COLOR TEMPERAT. - byte 2		
		13. GN COMPENSATION - byte 1	0 ÷ 500	∅
		14. GN COMPENSATION - byte 2	501 ÷ 65535	-1,00 ÷ + 1,00
		15. *STROBE CONTROL - byte 1	0 ÷ 1300	∅
		16. *STROBE CONTROL - byte 2	1301 ÷ 65535	1 ÷ 25 Hz
PRESET	6/8*	1. DIMMER - byte 1	0 - 65535	0 ÷ 100 %
		2. DIMMER - byte 2		
		3. PRESET - byte 1	0 ÷ 65535	0 ÷ N PRESET
		4. PRESET - byte 2		
		5. PRESET FREEZE - byte 1	0 - 12800 > no freeze	51200 ÷ 65535 freeze
		6. PRESET FREEZE - byte 2		
		7. *STROBE CONTROL - byte 1	0 ÷ 1300	∅
		8. *STROBE CONTROL - byte 2	1301 ÷ 65535	1 ÷ 25 Hz

COMMAND	PID	DESCRIPTION
Manufacturer ID	0x0622	Manufacturer identification number (LUPO Lighting).
Device Identification		
Model ID		Model identification number
	1	Dayled 650 mono color
	2	Dayled 650 dual color
	3	Dayled 1000 mono color
	4	Dayled 1000 dual color
	5	Dayled 2000 mono color
	6	Dayled 2000 dual color
	7	Superpanel 30 dual color soft
	8	Superpanel 30 dual color lens
	9	Superpanel 30 full color soft
	10	Superpanel 30 full color lens
	11	Superpanel 60 dual color soft
	12	Superpanel 60 dual color lens
	13	Superpanel 60 full color soft
	14	Superpanel 60 full color lens
	15	Actionpanel dual color soft
	16	Actionpanel dual color lens
	17	Actionpanel full color soft
	18	Actionpanel full color lens
	19	Kickasspanel dual color
	20	Kickasspanel full color
	21	Lupoled monocolour
	22	Lupoled dualcolor
	23	Movielight monocolour
	24	Movielight dual color
	25	Ultrapanel 30 dual color soft
	26	Ultrapanel 30 dual color lens
	27	Ultrapanel 60 full color soft
	28	Ultrapanel 60 full color lens
	29	Ultrapanel 30 full color soft
	30	Ultrapanel 30 full color lens
	31	Ultrapanel 60 dual color soft
	32	Ultrapanel 60 dual color lens
	33	Dayled 650 PRO Full Color
	34	Dayled 1000 PRO Full Color
	35	Dayled 2000 PRO Full Color

Personality		DMX Personality
	0x01	CCT
Network management		
DISC UNIQUE BRANCH	0x0001	Search RDM devices
DISC MUTE	0x0002	Mute RDM device, no response message
DISC UN MUTE	0x0003	Activate RDM device fo response message
Status collection		
QUEUED MESAGES	0x0020	Retrieves queued messages or status message if no message is in queue
STATUS MESSAGES	0x0030	Retrieves current Warning/Error messages
RDM Information		
SUPPORTED PARAMETERS	0x0050	Retrieves a list of all supported RDM commands
PARAMETER DESCRIPTION	0x0051	Retrieves a list of all RDM commands
Product Information		
DEVICE INFO	0x0060	Retrieves a variety of information about the device that is normally required by a controller.
DEVICE MODEL DESCRIPTION	0x0080	Text description of up to 32 characters for the device model type.
MANUFACTURER LABEL	0x0081	This parameter provides an ASCII text response with the Manufacturer name for the device. "LUPO" is the default name.
FACTORY DEFAULTS	0x0090	Set the device to its factory defaults. Get: Check if settings still in default state -> 1 if default
SOFTWARE VERSION LABEL	0x00C0	Retrieves software version string of main software
DMX512 Setup		
DMX PERSONALITY	0x00E0	DMX mode
DMX PERSONALITY DESCRIPTION	0x00E1	Shows a description of a DMX-Mode, max 32 characters
DMX START ADDRESS	0x00F0	DMX address
Control		
IDENTIFY DEVICE	0x1000	The identify flag (flashes the light)
Manufacturer Commands		
FAN MODE	0x8001	0: Off 1: On
DISPLAY TIMEOUT	0x8002	0: 30 sec 1: 1 min 2: always on
DMX SIGNAL LOST MODE	0x8003	0: black out 1: last settings on 2: last settings 1 min
DMX BITS	0x8004	0: 8 bit 1: 16 bit
CCT LIMIT	0x8005	0: 2800-10000 1: 3200-5600
LINEARIZATION	0x8006	0: linear 1: exponential 2: logarithmic
FILTER	0x8007	0: full speed 1: normal speed 2: high speed 3: low speed
FREQUENCY	0x8008	0: 18 KHz 1: 25 KHz
INV - CCT	0x8009	0: not inverted 1: inverted

DEVICE SETTINGS

1. Press the **2** push button to enter the main MENU.
2. Navigate through the MENU rotating the **2** button, select **DEVICE SETTINGS**, press the **2** push button to confirm the selection.
3. Navigate through the MENU rotating the **2** button, select **GENERAL**, press the **2** push button to confirm the selection.
4. Navigate through the **FAN POWER / DISPLAY / FREQUENCY / FILTER / LINEARIZATION / CCT LIMIT** functions, rotating the **2** button to select the desired function and press the **2** push button to confirm the selection.
5. Within each function select the option to be activated and rotate the **2** button.

Fan Power: Fan operation **ON / OFF**.

When the fan is **OFF** the **light intensity** be adjustable between **0 and 50%**.

Display: Time during which the display backlight stays on. **30sec / 1min / ALWAYS ON**.

Frequency: Dimmer frequency 18 KHz - 25 KHz

Filter: It is the speed response of the system (smooth factor).

FULL SPEED / NORMAL SPEED / HIGH SPEED / LOW SPEED.

Linearization: Linearization is the compensation curve for the human eye's perception of the luminous intensity emitted as a function of the required power. Required power = dimmer value on the display. **LINEAR / EXPONENTIAL / LOGARITHMIC**.

Linear: No compensation, the intensity of the light is directly proportional to requested power.

Exponential: The light intensity increases from 0 to 100 exponentially.

Logarithmic: The light intensity increases from 0 to 100 logarithmically.

CCT Limit: CCT range 2800 - 6500 or 3200 - 5600

RESET DEVICE

1. Press the « **OK** » **2** button to enter the main MENU.
2. Select **RESET DEVICE** rotating the **2** button, press the **2** push button to confirm the selection.
3. Select **YES** rotating the **2** button, press the **2** push button to confirm the selection.
4. The device ask for further confirmation, select **YES** by pressing the press the **2** push button. **THE DEVICE RETURNS TO FACTORY DEFAULT SETTINGS.**

FACTORY DEFAULT SETTING	
MODE	DEVICE SETTINGS
CCT	FAN: ON
DMX OPERATION	DISPLAY: 1 min
BIT: 8 BIT	FILTER : Normal speed
DMX SIGNAL LOSS: Settings 1 MIN	LINEARIZATION: Linear
RDM ENABLE: OFF	FREQUENCY: 18 KHz
INV - CCT: OFF	CONTROL
	Manual

USB PORT

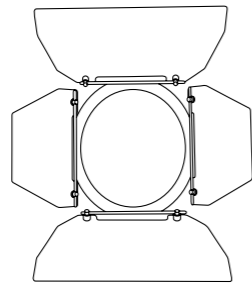
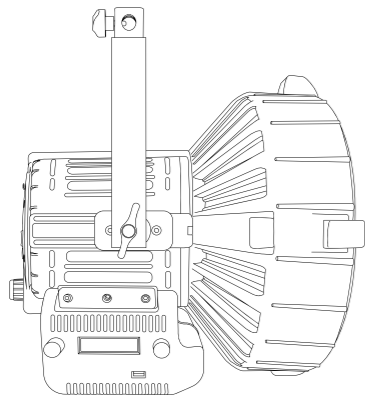
Use USB port for firmware updates.

Update the Firmware

1. Copy the file on an USB Pendrive (FAT32 formatted) in the main root;
2. Switch off the equipment and insert the USB Pendrive;
3. Switch on the equipment;

4. Wait until display backlight flashes (it takes several minutes and red led must toggle for all time long);
5. Switch off the equipment;
6. Extract the Pendrive and switch on the equipment: the firmware is updated.

Package Contents for DayledPRO 3000



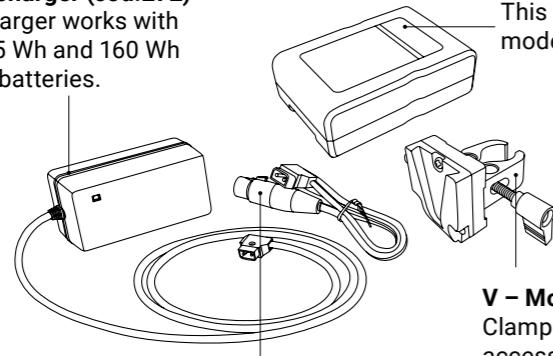
Barndoors

⚠ ATTENTION: Please keep the original package of the product in a safe place for warranty reasons.

ACCESSORIES

COMPLETE KIT OF V-MOUNT BATTERY POWER SUPPLY FOR DAYLEDPRO 3000.
The items are also sold separately.

Battery charger (cod.272)
This charger works with Lupo 95 Wh and 160 Wh batteries.



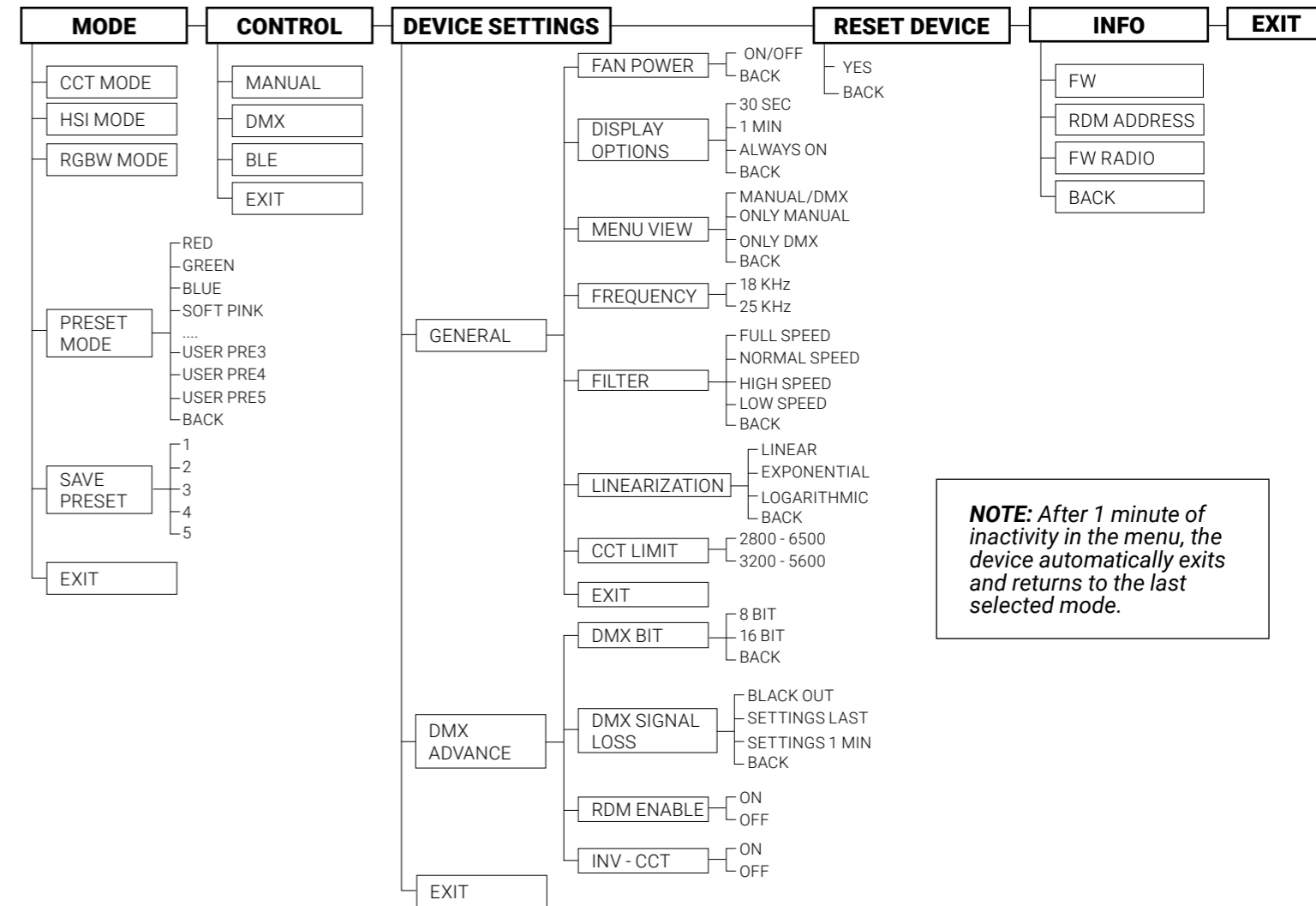
D - Tap cable (cod.313)

**DayledPRO 650 / 1000
95 Wh battery (cod.271)**
**Dayled 2000
160 Wh battery (cod.271)**
These batteries allow to power all Lupo models with AC/DC functioning.

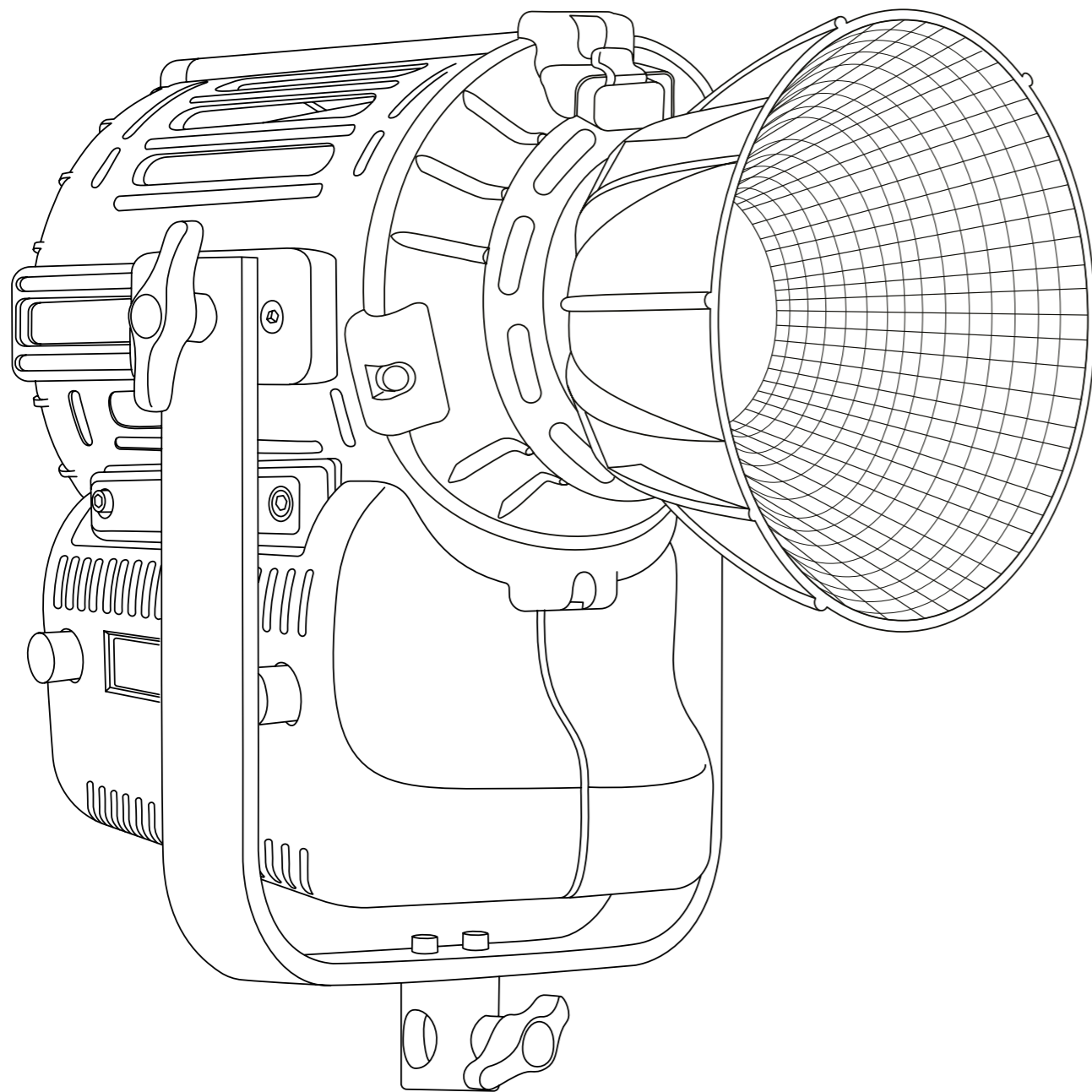
V - Mount clamp (cod.320)
Clamp for stand only is an essential accessory for lithium battery powered equipment. It accepts all standard V-Mount batteries.

MENU e submenus

- Select **"EXIT"** to return to the current mode.
- Select **"BACK"** to return to the previous menu.



NOTE: After 1 minute of inactivity in the menu, the device automatically exits and returns to the last selected mode.



User Manuals

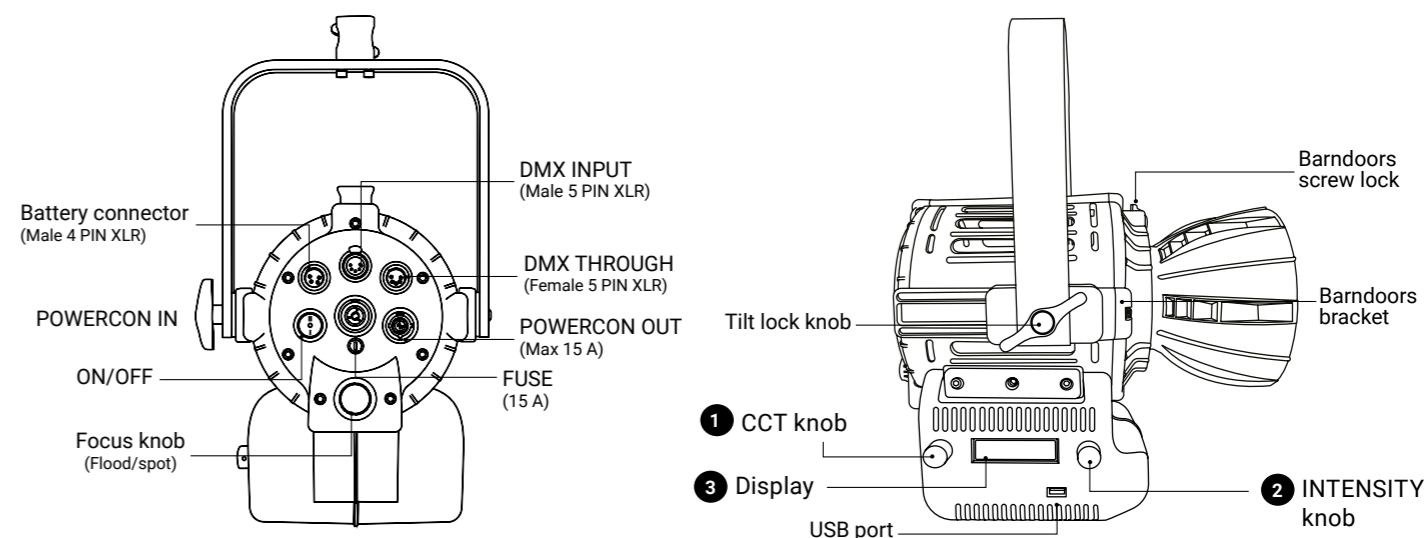
900 MOVIELIGHTPRO 300

901 MOVIELIGHTPRO DUAL COLOR 300

Instructions

- Max input current for daisy chain: 15 A
- Device for indoor use only.
- Protection standard IP20.
- Maximum ambient temperature: 45 °C.
- Make sure power supply plug is suitable to power required.
- As prescribed by international regulations, a safety cable must be used when the fixture is suspended from ceiling.
- To switch on the light push the on/off button.

Getting Started with the Movielight 300



CONTROL PANEL

- In current mode press the ② push button to enter the main MENU.
- In the sub-menus press the ② push button to confirm a selection.
- Rotate the ② knob to navigate in the main MENU and sub-menus.
- Use the « INTENSITY » ② knob to adjust the **light intensity from 0 to 100%**.
- Use the knob ① to adjust the light mode parameters.
- Display ③.

⚠ ATTENTION: The **light intensity** level is adjustable from **0 - 50%** if the **FAN** is **OFF**. The value on the display flashes.

MODE

1. Press the ② push button to enter the main MENU.
2. Select **MODE** by pressing the ② push button.
3. Select the light mode among **CCT** with the ② knob and press the ② push button to confirm selection.
4. Select among **CCT / PRESET / SAVE PRESET** with the ② knob and press the ② push button to confirm selection
5. See **LIGHT MODES**.

LIGHT MODES

MODE	INTENSITY ④	CCT/HUE ⑤	GN/SAT/COLOR ⑥	GN/SAT/COLOR ⑥
CCT	Light Intensity	CT 2800 K to 10000 K	-	-

CCT MODE: Warm and cold white control mode. It allows you to adjust colour temperature (CCT), and light intensity. This is the default setting.

⚠ ATTENTION: Rotating the ❶ knob changes the CT value- Pressing ❶ button select GN value that can be changed by rotating the same ❶ knob.

DMX OPERATIONS

1. Press the ❷ push button to enter the main MENU.
2. Select **CONTROL** with the ❷ knob and press the ❷ push button to confirm selection.
3. Select **DMX** with the ❷ knob and press the ❷ push button to confirm selection.
4. Select the DMX channel, rotating the ❶ knob to change DMX ADDRESS in ascending or descending order among 1 and 512. The number shown on the display ❸ is the selected channel to communicate with the control desk.
5. See **DMX PROTOCOL MANUAL** for DMX channel specification.

NOTE: The symbol - ! - on the display indicates that there is **no DMX signal**.

BLUETOOTH

1. Press the ❷ push button to enter the main MENU.
1. Select **CONTROL** with the ❷ knob and press the ❷ push button to confirm selection.
2. Select **BLE** with the ❷ knob and press the ❷ push button to confirm selection.

DMX OPERATIONS - Advanced Settings

1. Press the ❷ push button to enter the main MENU.
2. Navigate through the main MENU with the ❷ knob until **DEVICE SETTINGS** and press the ❷ push button to confirm selection.
3. Rotate the ❷ knob to select **DMX ADVANCED**, press the ❷ push button to confirm selection.
4. Select one of the options among the **DMX BIT**, **DMX SIGNAL LOSS**, **RDM ENABLE**, **STROBE ENABLE** and **INV CCT** press ❷ push button to confirm the selection.

DMX BIT:

Resolution of the DMX control. 8bit 1 channel per function and 16 bit 2 channels per function.

1. Select the **DMX BIT** item by pressing the ❷ push button.
2. Rotate the ❷ knob to choose between **8bit / 16bit**, press the ❷ push button to confirm the selected setting. See **DMX PROTOCOL MANUAL**.

DMX SIGNAL LOSS:

This feature allows to choose the device's behaviour in case of a DMX signal loss.

1. Select the **LOSS DMX SIGNAL** item with the ❷ push button
2. Rotate the ❷ knob to select the device's behaviour among **BLACK OUT /SETTINGS LAST / SETTINGS 1min**, press the ❷ push button to confirm the setting.

Black out: The device switches off.

Settings Last: The values of the last selected setting are maintained over time until the device is switched off.

Settings 1min: The values of the last selected settings is maintained for one minute and then the device switch off.

RDM Enable: ON/OFF, enable/disable RDM Protocol

INV CCT: ON/FF: enable/disable reversal CCT console control

DMX Protocol

Introduction

The SuperpanelPRO and UltrapanelPRO can be used with 8 bit or 16 bit DMX control. (See **DMX OPERATION - advanced settings** in the user's manual). When used in **8 bit mode** the panels uses **one channel for each function**. DMX values for each channel are in the range of 0 to 255. When used in **16 bit mode** the panels uses **two channels for each function**. The increased resolution offers a smooth dimming and a more accurate color adjustment. DMX values for the first channel (byte 1) are in the range of 256 to 65535 while for the second channel (byte 2) they are in the range of 0 to 255.

⚠ ATTENTION: The symbol - ! - on the display indicates that there is **no DMX signal**.

⚠ ATTENTION: * If the **STROBE** in the DMX ADVANCED SETTINGS is enabled, there are 1 more channel in 8 bit and 2 more channels in 16 bit:

DMX Channel Protocol - 8 bit

MODE	CHANNELS	DMX CHANNEL POSITION	DMX VALUE	VALUE
CCT	2/3*	1. DIMMER	0 - 255	0 - 100 %
		2. COLOR TEMPERATURE	0 - 255	6500 - 2700
		3. *STROBE CONTROL	0 ÷ 5	∅
			6 ÷ 255	1 ÷ 25 Hz

DMX Channel Protocol - 16 bit

MODE	CHANNELS	DMX CHANNEL POSITION	DMX VALUE	VALUE
CCT	4/6*	1. DIMMER - byte 1	0 - 65535	0 ÷ 100 %
		2. DIMMER - byte 2		
		3. COLOR TEMPERATURE - byte 1	0 - 65535	6500 - 2700
		4. COLOR TEMPERATURE - byte 2		
		5. *STROBE CONTROL - byte 1	0 ÷ 1300	∅
		6. *STROBE CONTROL - byte 2	1301 ÷ 65535	1 ÷ 25 Hz

RDM Protocol Specification

COMMAND	PID	DESCRIPTION
Manufacturer ID	0x0622	Manufacturer identification number (LUPO Lighting).
Device Identification		
Model ID		Model identification number
	1	Dayled 650 mono color
	2	Dayled 650 dual color
	3	Dayled 1000 mono color
	4	Dayled 1000 dual color
	5	Dayled 2000 mono color

	6	Dayled 2000 dual color
	7	Superpanel 30 dual color soft
	8	Superpanel 30 dual color lens
	9	Superpanel 30 full color soft
	10	Superpanel 30 full color lens
	11	Superpanel 60 dual color soft
	12	Superpanel 60 dual color lens
	13	Superpanel 60 full color soft
	14	Superpanel 60 full color lens
	15	Actionpanel dual color soft
	16	Actionpanel dual color lens
	17	Actionpanel full color soft
	18	Actionpanel full color lens
	19	Kickasspanel dual color
	20	Kickasspanel full color
	21	Lupoled monocolour
	22	Lupoled dualcolor
	23	Movielight monocolour
	24	Movielight dual color
	25	Ultrapanel 30 dual color soft
	26	Ultrapanel 30 dual color lens
	27	Ultrapanel 60 full color soft
	28	Ultrapanel 60 full color lens
	29	Ultrapanel 30 full color soft
	30	Ultrapanel 30 full color lens
	31	Ultrapanel 60 dual color soft
	32	Ultrapanel 60 dual color lens
	33	Dayled 650 PRO Full Color
	34	Dayled 1000 PRO Full Color
	35	Dayled 2000 PRO Full Color
Personality		DMX Personality
	0x01	CCT
Network management		
DISC UNIQUE BRANCH	0x0001	Search RDM devices
DISC MUTE	0x0002	Mute RDM device, no response message
DISC UN MUTE	0x0003	Activate RDM device fo response message
Status collection		
QUEUED MESAGES	0x0020	Retrieves queued messages or status message if no message is in queue
STATUS MESSAGES	0x0030	Retrieves current Warning/Error messages
RDM Information		
SUPPORTED PARAMETERS	0x0050	Retrieves a list of all supported RDM commands
PARAMETER DESCRIPTION	0x0051	Retrieves a list of all RDM commands
Product Information		
DEVICE INFO	0x0060	Retrieves a variety of information about the device that is normally required by a controller.

DEVICE MODEL DESCRIPTION	0x0080	Text description of up to 32 characters for the device model type.
MANUFACTURER LABEL	0x0081	This parameter provides an ASCII text response with the Manufacturer name for the device. "LUPO" is the default name.
FACTORY DEFAULTS	0x0090	Set the device to its factory defaults. Get: Check if settings still in default state -> 1 if default
SOFTWARE VERSION LABEL	0x00C0	Retrieves software version string of main software
DMX512 Setup		
DMX PERSONALITY	0x00E0	DMX mode
DMX PERSONALITY DESCRIPTION	0x00E1	Shows a description of a DMX-Mode, max 32 characters
DMX START ADDRESS	0x00F0	DMX address
Control		
IDENTIFY DEVICE	0x1000	The identify flag (flashes the light)
Manufacturer Commands		
FAN MODE	0x8001	0: Off 1: On
DISPLAY TIMEOUT	0x8002	0: 30 sec 1: 1 min 2: always on
DMX SIGNAL LOST MODE	0x8003	0: black out 1: last settings on 2: last settings 1 min
DMX BITS	0x8004	0: 8 bit 1: 16 bit
CCT LIMIT	0x8005	0: 2800-10000 1: 3200-5600
LINEARIZATION	0x8006	0: linear 1: exponential 2: logarithmic
FILTER	0x8007	0: full speed 1: normal speed 2: high speed 3: low speed
FREQUENCY	0x8008	0: 18 KHz 1: 25 KHz
INV - CCT	0x8009	0: not inverted 1: inverted

DEVICE SETTINGS

- Press the **2** push button to enter the main MENU.
- Navigate through the MENU rotating the **2** button, select **DEVICE SETTINGS**, press the **2** push button to confirm the selection.
- Navigate through the MENU rotating the **2** button, select **GENERAL**, press the **2** push button to confirm the selection.
- Navigate through the **FAN POWER / DISPLAY / FREQUENCY / FILTER / LINEARIZATION / CCT LIMIT** functions, rotating the **2** button to select the desired function and press the **2** push button to confirm the selection.
- Within each function select the option to be activated and rotate the **2** button.

Fan Power: Fan operation **ON / OFF**.

When the fan is **OFF** the **light intensity** be adjustable between **0 and 50%**.

Display: Time during which the display backlight stays on. **30sec / 1min / ALWAYS ON**.

Frequency: Dimmer frequency 18 KHz - 25 KHz

Filter: It is the speed response of the system (smooth factor).

FULL SPEED / NORMAL SPEED / HIGH SPEED / LOW SPEED.

Linearization: Linearization is the compensation curve for the human eye's perception of the luminous intensity emitted as a function of the required power. Required power = dimmer value on the display. **LINEAR / EXPONENTIAL / LOGARITHMIC.**






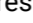
Linear: No compensation, the intensity of the light is directly proportional to requested power.

Exponential: The light intensity increases from 0 to 100 exponentially.

Logarithmic: The light intensity increases from 0 to 100 logarithmically.

CCT Limit: CCT range 2800 - 6500 or 3200 - 5600

RESET DEVICE

1. Press the « **OK** »  button to enter the main MENU.
2. Select **RESET DEVICE** rotating the  button, press the  push button to confirm the selection.
3. Select **YES** rotating the  button, press the  push button to confirm the selection.
4. The device ask for further confirmation, select **YES** by pressing the press the  push button. **THE DEVICE RETURNS TO FACTORY DEFAULT SETTINGS.**

FACTORY DEFAULT SETTING	
MODE	DEVICE SETTINGS
CCT	FAN: ON
DMX OPERATION	DISPLAY: 1 min
BIT: 8 BIT	FILTER : Normal speed
DMX SIGNAL LOSS: Settings 1 MIN	LINEARIZATION: Linear
RDM ENABLE: OFF	FREQUENCY: 18 KHz
INV - CCT: OFF	CONTROL
	Manual

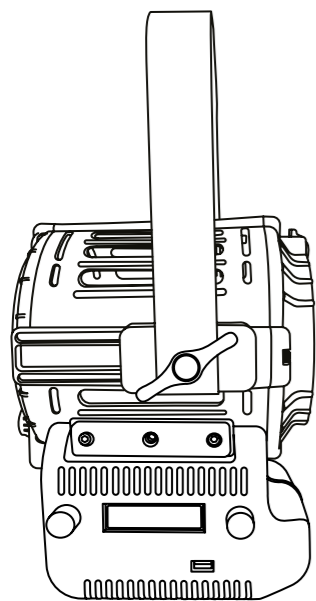
USB PORT

Use USB port for firmware updates.

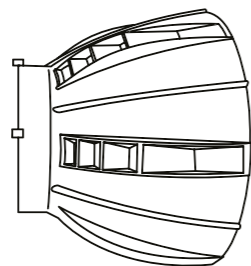
Update the Firmware

1. Copy the file on an USB Pendrive (FAT32 formatted) in the main root;
2. Switch off the equipment and insert the USB Pendrive;
3. Switch on the equipment;
4. Wait until display backlight stop flashing (it takes several minutes and display backlight must toggle for all time long);
5. Switch off the equipment;
6. Extract the Pendrive and switch on the equipment: the firmware is updated.

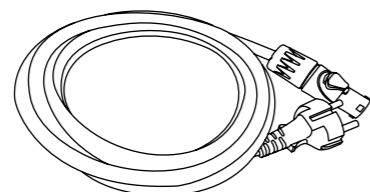
Package Contents for MovielightPRO 300



MovielightPRO 300



Parabolic Reflector



AC Power Cord Cable

⚠ ATTENTION: Please keep the original package of the product in a safe place for warranty reasons.

ACCESSORIES

The accessories are products sold separately.

COMPLETE KIT OF V-MOUNT BATTERY POWER SUPPLY FOR MOVIELIGHTPRO 300

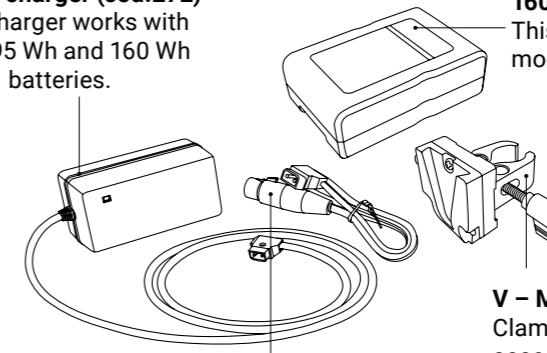
The items are also sold separately.

Battery charger (cod.272)

This charger works with Lupo 95 Wh and 160 Wh batteries.

160 Wh battery (cod.271)

This batteries allows to power all Lupo models with AC/DC functioning.



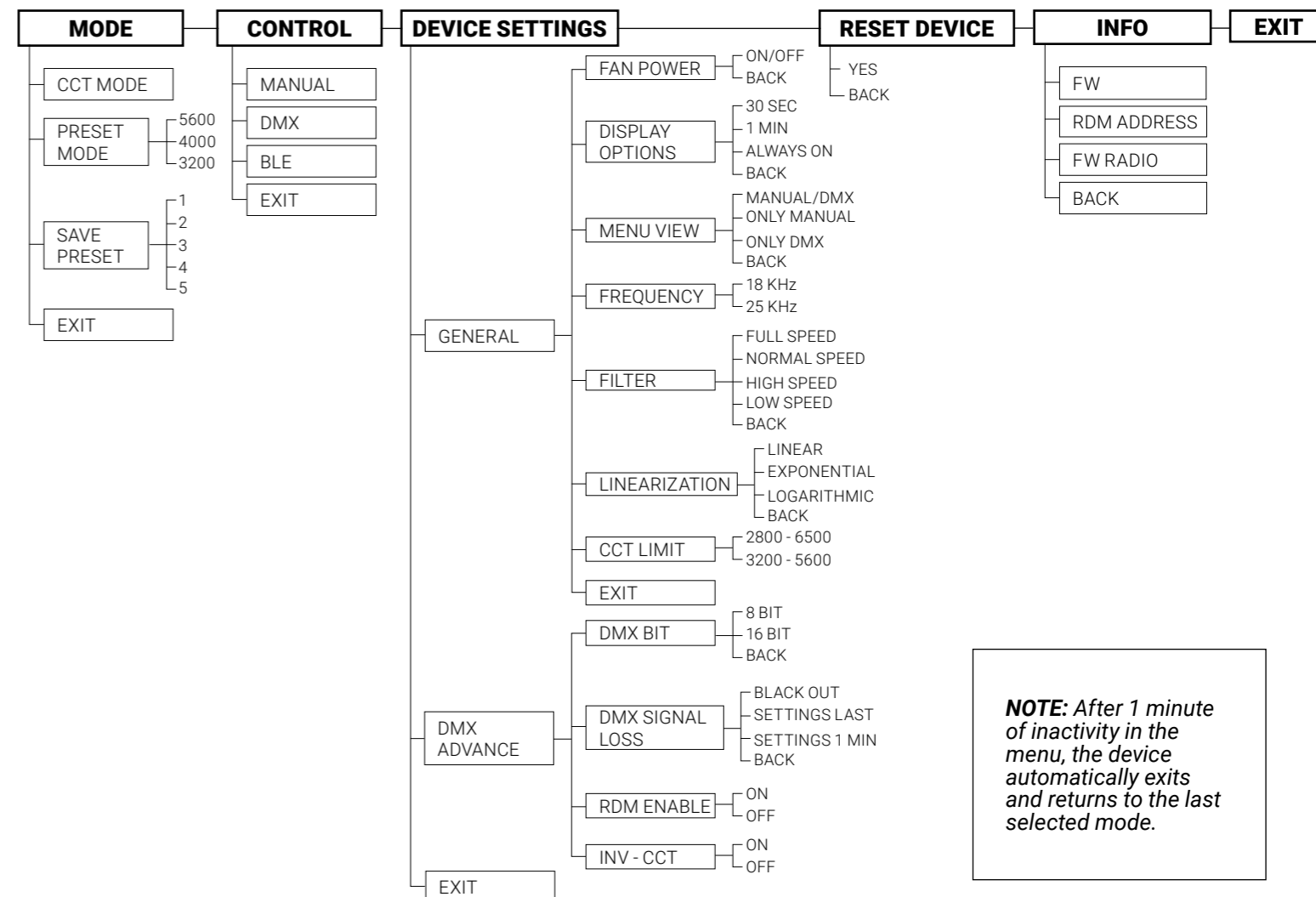
D - Tap cable (cod.313)

V - Mount clamp (cod.320)

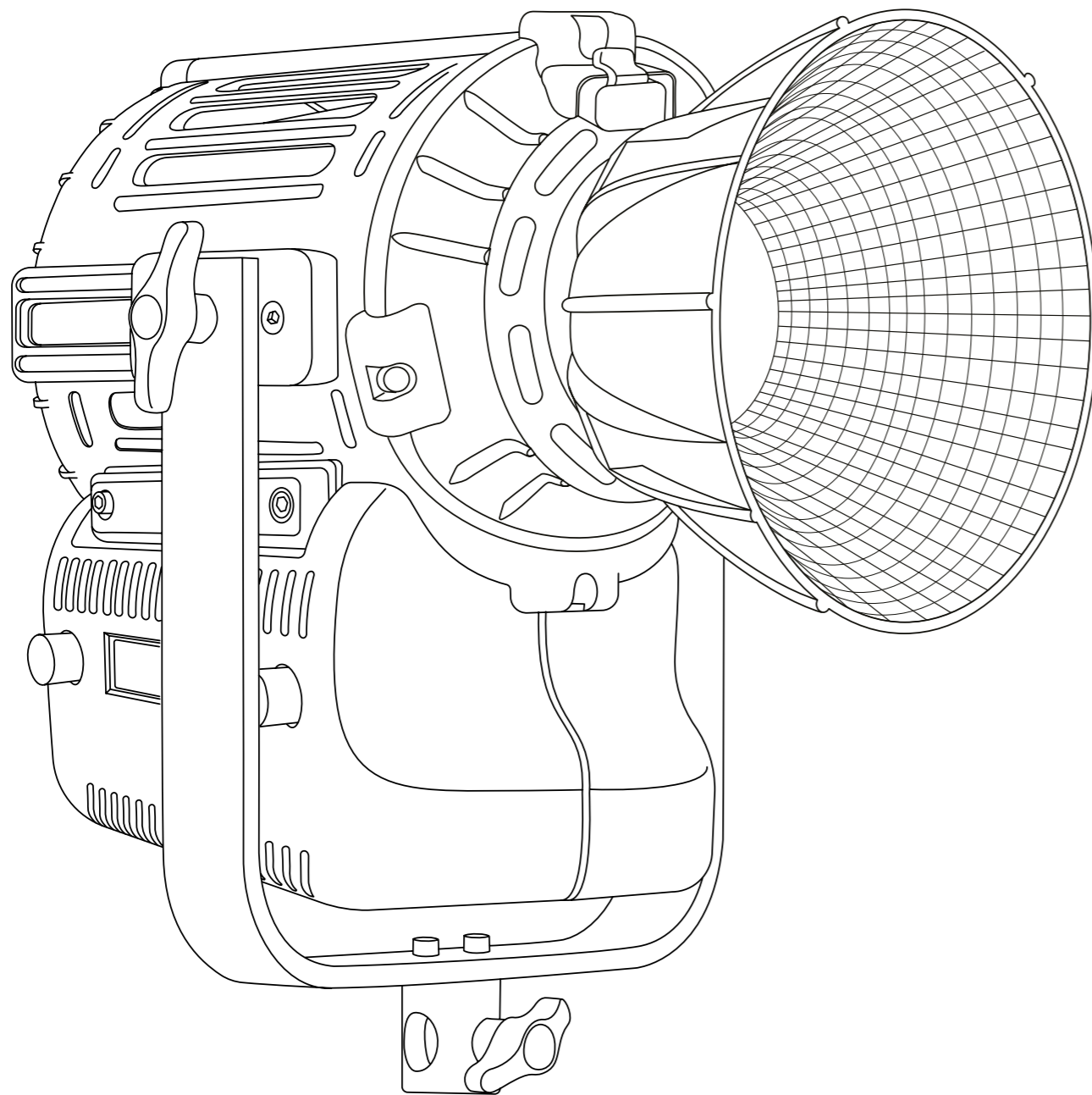
Clamp for stand only is an essential accessory for lithium battery powered equipment. It accepts all standard V-Mount batteries.

MENU e submenus

- Select "**EXIT**" to return to the current mode.
- Select "**BACK**" to return to the previous menu.



NOTE: After 1 minute of inactivity in the menu, the device automatically exits and returns to the last selected mode.



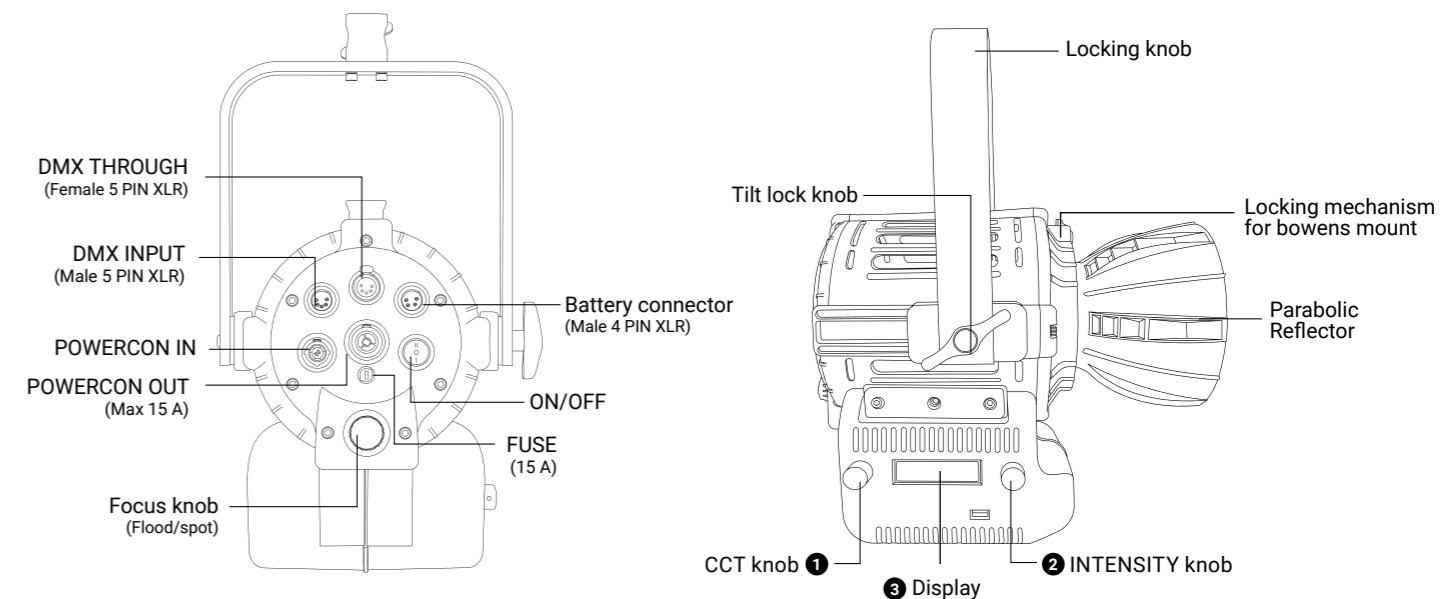
User Manuals

904 MOVIELIGHTPRO FULL COLOR COLOR 300

Instructions

- Max input current for daisy chain: 15 A
- Device for indoor use only.
- Protection standard IP20.
- Maximum ambient temperature: 45 °C.
- Make sure power supply plug is suitable to power required.
- As prescribed by international regulations, a safety cable must be used when the fixture is suspended from ceiling.
- To switch on the light push the on/off button.

Getting Started with the Movielight 300



CONTROL PANEL

- In current mode press the ② push button to enter the main MENU.
- In the sub-menus press the ② push button to confirm a selection.
- Rotate the ② knob to navigate in the main MENU and sub-menus.
- Use the « INTENSITY » ② knob to adjust the **light intensity from 0 to 100%**.
- Use the knob ① to adjust the light mode parameters.
- Display ③.

⚠ ATTENTION: The **light intensity** level is adjustable from **0 - 50%** if the **FAN** is **OFF**. The value on the display flashes.

MODE

1. Press the ② push button to enter the main MENU.
2. Select **MODE** by pressing the ② push button.
3. Select the light mode among **CCT** with the ② knob and press the ② push button to confirm selection.
4. Select among **CCT / HSI / RGBW / PRESET / EFFECT / SAVE PRESET** with the ② knob and press the ② push button to confirm selection
5. See **LIGHT MODES**.

LIGHT MODES

MODE	INTENSITY ④	CCT/HUE ⑤	GN/SAT/COLOR ⑥	«▼» ① «▲» ③
CCT	Light Intensity from 0 to 100%	CT 2800K to 10000K	GN -1.00 to +1.00	-
HSI		HUE 0° to 100°	SAT 0 to 100%	-
RGBW		-	Select function R/G/B/W/CT/GN	Change values of the function
PRESET		-	-	Change Preset

CCT MODE: Warm and cold white control mode. It allows you to adjust colour temperature (CCT), green/magenta compensation (GN) and light intensity. *This is the default setting.*

1. In MODE menu select **EFFECT MODE**.
2. Select the EFFECT to be activated with rotate the ② button, confirm the selection by pressing the ② push button.
3. Use the knob ② to change the DIMMER and the knob ① to adjust the effect setting values.

⚠ ATTENTION: Rotating the ① knob changes the CT value- Pressing ① button select GN value that can be changed by rotating the same ① knob.

DMX OPERATION

1. Press the ② push button to enter the main MENU.
2. Select **CONTROL** with the ② knob and press the ② push button to confirm selection.
3. Select **DMX** with the ② knob and press the ② push button to confirm selection.
4. Select the DMX channel, rotating the ① knob to change DMX ADDRESS in ascending or descending order among 1 and 512. The number shown on the display ③ is the selected channel to communicate with the control desk.
5. See **DMX PROTOCOL MANUAL** for DMX channel specification.

NOTE: The symbol - ! - on the display indicates that there is **no DMX signal**.

BLUETOOTH

1. Press the ② push button to enter the main MENU.
1. Select **CONTROL** with the ② knob and press the ② push button to confirm selection.
2. Select **BLE** with the ② knob and press the ② push button to confirm selection.

DMX OPERATION - Advanced Settings

1. Press the ② push button to enter the main MENU.
2. Navigate through the main MENU with the ② knob until **DEVICE SETTINGS** and press the ② push button to confirm selection.
3. Rotate the ② knob to select **DMX ADVANCED**, press the ② push button to confirm selection.
4. Select one of the options among the **DMX BIT**, **DMX SIGNAL LOSS**, **RDM ENABLE**, **STROBE ENABLE** and **INV CCT** press ② push button to confirm the selection.

DMX BIT:

Resolution of the DMX control. 8bit 1 channel per function and 16 bit 2 channels per function.

1. Select the **DMX BIT** item by pressing the ② push button.
2. Rotate the ② knob to choose between **8bit / 16bit**, press the ② push button to confirm the selected setting. See **DMX PROTOCOL MANUAL**.

DMX SIGNAL LOSS:

This feature allows to choose the device's behaviour in case of a DMX signal loss.

1. Select the **LOSS DMX SIGNAL** item with the ② push button
2. Rotate the ② knob to select the device's behaviour among **BLACK OUT /SETTINGS LAST / SETTINGS 1min**, press the ② push button to confirm the setting.

Black out: The device switches off.

Settings Last: The values of the last selected setting are maintained over time until the device is switched off.

Settings 1min: The values of the last selected settings is maintained for one minute and then the device switch off.

RDM Enable: ON/OFF, enable/disable RDM Protocol

INV CCT: ON/FF: enable/disable reversal CCT console control

DMX Protocol

Introduction

The Actionpanel Full Color, the Superpanel 30 Full Color and the Superpanel 60 Full color can be used with 8 bit or 16 bit DMX control.

(See **DMX OPERATION - advanced settings** in the user's manual).

When used in **8 bit mode** the panels uses **one channel for each function**. DMX values for each channel are in the range of 0 to 255. When used in **16 bit mode** the panels uses **two channels for each function**. The increased resolution offers a smooth dimming and a more accurate color adjustment. DMX values for the first channel (byte 1) are in the range of 256 to 65535 while for the second channel (byte 2) they are in the range of 0 to 255.

⚠ ATTENTION: The symbol - ! - on the display indicates that there is **no DMX signal**.

DMX Channel Protocol - 8 bit

MODE	CHANNELS	DMX CHANNEL POSITION	DMX VALUE	VALUE		
CCT	2/4*	1. DIMMER	0 - 255	0 - 100 %		
		2. COLOR TEMPERATURE	0 - 255	6500 - 2700		
		3. GN COMPENSATION	0 ÷ 5	∅		
			6 ÷ 255	- 1,00 ÷ + 1,00		
		4. *STROBE CONTROL	0 ÷ 5	∅		
			6 ÷ 255	1 ÷ 25 Hz		
		HSI	3	1. DIMMER	0 - 255	0 - 100 %
				2. HUE	0 - 255	6500 - 2700
3. SATURATION	0 ÷ 255			0 ÷ 100%		
RGBW	7	1. DIMMER	0 - 255	0 ÷ 100%		
		2. RED	0 ÷ 255	0 ÷ 100%		
		3. GREEN	0 ÷ 255	0 ÷ 100%		
		4. BLUE	6 ÷ 255	0 ÷ 100%		
		5. WHITE	0 ÷ 255	0 ÷ 100%		
		6. COLOR TEMPERATURE	0 - 255	6500 - 2700		
			0 ÷ 5	∅		
		7. GN COMPENSATION	6 ÷ 255	- 1,00 ÷ + 1,00		
		FRGBW	7	1. DIMMER	0 - 255	0 ÷ 100%
				2. RED	0 ÷ 255	0 ÷ 100%
				3. GREEN	0 ÷ 255	0 ÷ 100%
				4. BLUE	6 ÷ 255	0 ÷ 100%
				5. WHITE	0 ÷ 255	0 ÷ 100%
				6. COLOR TEMPERATURE	0 - 255	6500 - 2700
	0 ÷ 5			∅		
		7. GN COMPENSATION	6 ÷ 255	- 1,00 ÷ + 1,00		
		PRESET	4	1. DIMMER	0 - 255	0 ÷ 100 %
				2. PRESET	0 ÷ 255	0 ÷ N PRESET
				3. PRESET FREEZE	0 - 50	NO FREEZE
	200 ÷ 255			FREEZE		
		4. * STROBE CONTROL	0 ÷ 255	0 - 25 Hz		

MODE	CHANNELS	DMX CHANNEL POSITION	DMX VALUE	VALUE
CCT	6	1. DIMMER - byte 1	0 - 65535	0 ÷ 100 %
		2. DIMMER - byte 1		
		3. COLOR TEMPERATURE - byte 1	0 - 65535	6500 - 2700
		4. COLOR TEMPERATURE - byte 2		
		5. GN COMPENSATION - byte 1	0 ÷ 500	∅
		6. GN COMPENSATION - byte 2	501 ÷ 65535	-1,00 ÷ + 1,00
HSI	6	1. DIMMER - byte 1	0 - 65535	0 ÷ 100 %
		2. DIMMER - byte 1		
		3. HUE - byte 1	0 ÷ 65535	0 ÷ 360
		4. HUE - byte 2		
		5. SATURATION - byte 1	0 ÷ 65535	0 ÷ 100 %
		6. SATURATION - byte 2		
RGBW	14	1. DIMMER - byte 1	0 - 65535	0 ÷ 100 %
		2. DIMMER - byte 1		
		3. RED - byte 1	0 - 65535	0 ÷ 100 %
		4. RED - byte 2		
		5. GREEN - byte 1	0 ÷ 65535	0 ÷ 100 %
		6. GREEN - byte 2		
		7. BLUE - byte 1	0 ÷ 65535	0 ÷ 100 %
		8. BLUE - byte 1		
		9. WHITE - byte 1	0 ÷ 65535	0 ÷ 360
		10. WHITE - byte 2		
		11. COLOR TEMPERAT. - byte 1	0 - 65535	6500 - 2700
		12. COLOR TEMPERAT. - byte 2		
		13. GN COMPENSATION- byte 1	0 ÷ 500	∅
		14. GN COMPENSATION - byte 2	501 ÷ 65535	-1,00 ÷ + 1,00
FRGBW	14	1. DIMMER - byte 1	0 - 65535	0 ÷ 100 %
		2. DIMMER - byte 1		
		3. RED - byte 1	0 ÷ 65535	0 ÷ 100 %
		4. RED - byte 2		
		5. GREEN - byte 1	0 ÷ 65535	0 ÷ 100 %
		6. GREEN - byte 2		
		7. BLUE - byte 1	0 ÷ 65535	0 ÷ 100 %
		8. BLUE - byte 1		
		9. WHITE - byte 1	0 ÷ 65535	0 ÷ 360
		10. WHITE - byte 2		
		11. COLOR TEMPERAT. - byte 1	0 - 65535	6500 - 2700
		12. COLOR TEMPERAT. - byte 2		
		13. GN COMPENSATION- byte 1	0 ÷ 500	∅
		14. GN COMPENSATION - byte 2	501 ÷ 65535	-1,00 ÷ + 1,00
PRESET	6	1. DIMMER - byte 1	0 - 65535	0 ÷ 100 %
		2. DIMMER - byte 1		
		3. PRESET - byte 1	0 ÷ 65535	0 ÷ 100 %
		4. PRESET - byte 2		
		5. PRESET FREEZE - byte 1	0 - 12800 >	51200 ÷ 65535
		6. PRESET FREEZE - byte 2	NO FREEZE	FREEZE

RDM Protocol Specification

COMMAND	PID	DESCRIPTION
Manufacturer ID	0x0622	Manufacturer identification number (LUPO Lighting).
Device Identification		
Model ID		Model identification number
	1	Dayled 650 mono color
	2	Dayled 650 dual color
	3	Dayled 1000 mono color
	4	Dayled 1000 dual color
	5	Dayled 2000 mono color
	6	Dayled 2000 dual color
	7	Superpanel 30 dual color soft
	8	Superpanel 30 dual color lens
	9	Superpanel 30 full color soft
	10	Superpanel 30 full color lens
	11	Superpanel 60 dual color soft
	12	Superpanel 60 dual color lens
	13	Superpanel 60 full color soft
	14	Superpanel 60 full color lens
	15	Actionpanel dual color soft
	16	Actionpanel dual color lens
	17	Actionpanel full color soft
	18	Actionpanel full color lens
	19	Kickasspanel dual color
	20	Kickasspanel full color
	21	Lupoled monocolour
	22	Lupoled dualcolor
	23	Movielight monocolour
	24	Movielight dual color
	25	Ultrapanel 30 dual color soft
	26	Ultrapanel 30 dual color lens
	27	Ultrapanel 60 full color soft
	28	Ultrapanel 60 full color lens
	29	Ultrapanel 30 full color soft
	30	Ultrapanel 30 full color lens
	31	Ultrapanel 60 dual color soft
	32	Ultrapanel 60 dual color lens
	33	Dayled 650 PRO Full Color
	34	Dayled 1000 PRO Full Color
	35	Dayled 2000 PRO Full Color

Personality		DMX Personality
	0x01	CCT
Network management		
DISC UNIQUE BRANCH	0x0001	Search RDM devices
DISC MUTE	0x0002	Mute RDM device, no response message
DISC UN MUTE	0x0003	Activate RDM device fo response message
Status collection		
QUEUED MESSAGES	0x0020	Retrieves queued messages or status message if no message is in queue
STATUS MESSAGES	0x0030	Retrieves current Warning/Error messages
RDM Information		
SUPPORTED PARAMETERS	0x0050	Retrieves a list of all supported RDM commands
PARAMETER DESCRIPTION	0x0051	Retrieves a list of all RDM commands
Product Information		
DEVICE INFO	0x0060	Retrieves a variety of information about the device that is normally required by a controller.
DEVICE MODEL DESCRIPTION	0x0080	Text description of up to 32 characters for the device model type.
MANUFACTURER LABEL	0x0081	This parameter provides an ASCII text response with the Manufacturer name for the device. "LUPO" is the default name.
FACTORY DEFAULTS	0x0090	Set the device to its factory defaults. Get: Check if settings still in default state -> 1 if default
SOFTWARE VERSION LABEL	0x00C0	Retrieves software version string of main software
DMX512 Setup		
DMX PERSONALITY	0x00E0	DMX mode
DMX PERSONALITY DESCRIPTION	0x00E1	Shows a description of a DMX-Mode, max 32 characters
DMX START ADDRESS	0x00F0	DMX address
Control		
IDENTIFY DEVICE	0x1000	The identify flag (flashes the light)
Manufacturer Commands		
FAN MODE	0x8001	0: Off 1: On
DISPLAY TIMEOUT	0x8002	0: 30 sec 1: 1 min 2: always on
DMX SIGNAL LOST MODE	0x8003	0: black out 1: last settings on 2: last settings 1 min
DMX BITS	0x8004	0: 8 bit 1: 16 bit
CCT LIMIT	0x8005	0: 2800-10000 1: 3200-5600
LINEARIZATION	0x8006	0: linear 1: exponential 2: logarithmic
FILTER	0x8007	0: full speed 1: normal speed 2: high speed 3: low speed
FREQUENCY	0x8008	0: 18 KHz 1: 25 KHz
INV - CCT	0x8009	0: not inverted 1: inverted

BLUETOOTH

1. Press the **2** push button to enter the main MENU.
2. Navigate through the MENU rotating the **2** button, select **DEVICE SETTINGS**, press the **2** push button to confirm the selection.
3. Navigate through the MENU rotating the **2** button, select **GENERAL**, press the **2** push button to confirm the selection.
4. Navigate through the **FAN POWER / DISPLAY / FREQUENCY / FILTER / LINEARIZATION / CCT LIMIT** functions, rotating the **2** button to select the desired function and press the **2** push button to confirm the selection.
5. Within each function select the option to be activated and rotate the **2** button.

Fan Power: Fan operation **ON / OFF**.

When the fan is **OFF** the **light intensity** be adjustable between **0 and 50%**.

Display: Time during which the display backlight stays on. **30sec / 1min / ALWAYS ON**.

Frequency: Dimmer frequency 18 KHz - 25 KHz

Filter: It is the speed response of the system (smooth factor).

FULL SPEED / NORMAL SPEED / HIGH SPEED / LOW SPEED.

Linearization: Linearization is the compensation curve for the human eye's perception of the luminous intensity emitted as a function of the required power. Required power = dimmer value on the display. **LINEAR / EXPONENTIAL / LOGARITHMIC.**

Linear: No compensation, the intensity of the light is directly proportional to requested power.

Exponential: The light intensity increases from 0 to 100 exponentially.

Logarithmic: The light intensity increases from 0 to 100 logarithmically.

CCT Limit: CCT range 2800 - 6500 or 3200 - 5600

RESET DEVICE

1. Press the « **OK** » **2** button to enter the main MENU.
2. Select **RESET DEVICE** rotating the **2** button, press the **2** push button to confirm the selection.
3. Select **YES** rotating the **2** button, press the **2** push button to confirm the selection.
4. The device ask for further confirmation, select **YES** by pressing the press the **2** push button. **THE DEVICE RETURNS TO FACTORY DEFAULT SETTINGS.**

FACTORY DEFAULT SETTING

MODE	DEVICE SETTINGS
CCT	FAN: ON
	DISPLAY: 1 min
DMX OPERATION	FILTER : Normal speed
BIT: 8 BIT	LINEARIZATION: Linear
DMX SIGNAL LOSS: Settings 1 MIN	FREQUENCY: 18 KHz
RDM ENABLE: OFF	
INV - CCT: OFF	CONTROL
	Manual

USB port

Use USB port for firmware updates.

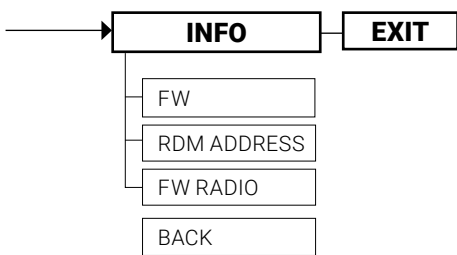
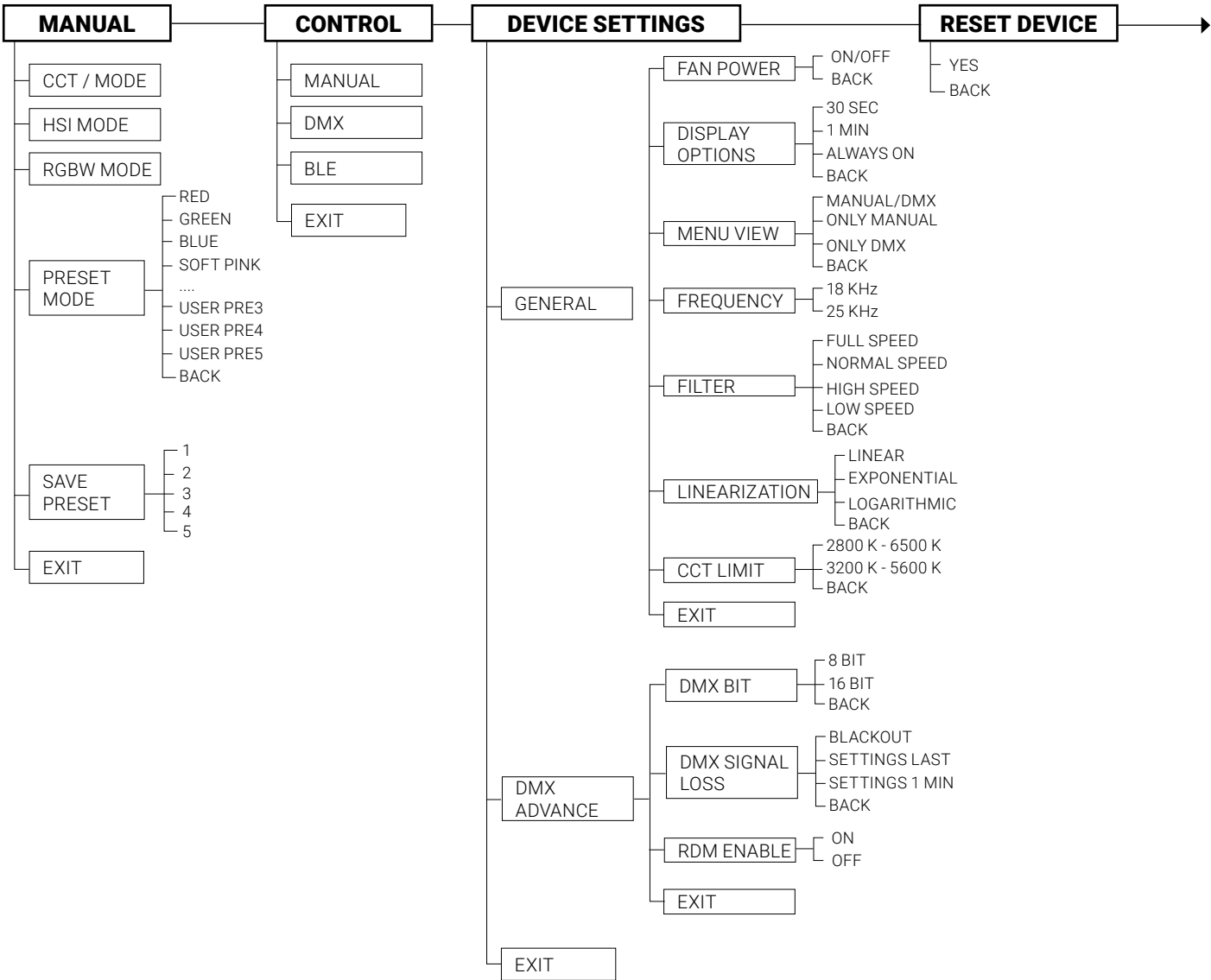
Update the Firmware

1. Copy the file on an USB Pendrive (FAT32 formatted) in the main root;
2. Switch off the equipment and insert the USB Pendrive;
3. Switch on the equipment;

4. Wait until display backlight flashes (it takes several minutes and red led must toggle for all time long);
5. Switch off the equipment;
6. Extract the Pendrive and switch on the equipment: the firmware is updated.

MENU e submenus

- Select **"EXIT"** to return to the current mode.
- Select **"BACK"** to return to the previous menu.



NOTE: Select "EXIT" to return to the current mode. Select "BACK" to return to the previous menu. **After 1 minute of inactivity in the menu, the device automatically exits and returns to the last selected mode.**