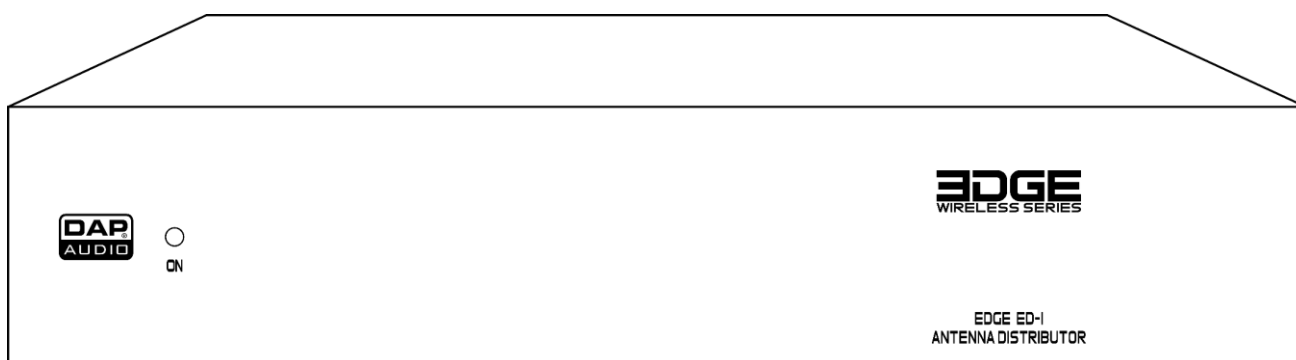




USER MANUAL



ENGLISH

EDGE ED-1

V2

Product code: D1485

Preface

Thank you for purchasing this DAP product.

The purpose of this user manual is to provide instructions for the correct and safe use of this product.

Keep the user manual for future reference as it is an integral part of the product. The user manual shall be stored at an easily accessible location.

This user manual contains information concerning:

- Safety instructions
- Installation and operation of the device
- Intended and non-intended use of the device
- Maintenance procedures
- Troubleshooting
- Transport, storage and disposal of the device

Non-observance of the instructions in this user manual may result in serious injuries and damage of property.

©2023 DAP. All rights reserved.

No part of this document may be copied, published or otherwise reproduced without the prior written consent of Highlite International.

Design and product specifications are subject to change without prior notice.

For the latest version of this document or other language versions, please visit our website www.highlite.com or contact us at service@highlite.com.

Highlite International and its authorized service providers are not liable for any injury, damage, direct or indirect loss, consequential or economic loss or any other loss arising from the use of, or inability to use or reliance on the information contained in this document.

Table of contents

| | |
|--|-----------|
| 1. Introduction | 3 |
| 1.1. Before Using the Product | 3 |
| 1.2. Intended Use | 3 |
| 1.3. Product Lifespan..... | 3 |
| 1.4. Text Conventions | 3 |
| 1.5. Symbols and Signal Words..... | 4 |
| 1.6. Symbols on the Information Label | 4 |
| 2. Safety | 5 |
| 2.1. Warnings and Safety Instructions | 5 |
| 2.2. Requirements for the User..... | 6 |
| 3. Description of the Device | 7 |
| 3.1. Front View | 7 |
| 3.2. Back View | 7 |
| 3.3. Product Specifications | 8 |
| 3.4. Accessories..... | 8 |
| 3.5. Dimensions..... | 9 |
| 4. Installation and Setup | 10 |
| 4.1. Ambient Conditions | 10 |
| 4.2. Installation..... | 10 |
| 4.2.1. Single Device..... | 10 |
| 4.2.2. Two Devices..... | 11 |
| 4.3. Setup..... | 12 |
| 4.3.1. Setup with Single Device | 13 |
| 4.3.2. Setup with Two Devices | 14 |
| 4.4. Connecting to Power Supply..... | 15 |
| 5. Troubleshooting | 15 |
| 6. Maintenance | 16 |
| 6.1. Preventive Maintenance | 16 |
| 6.1.1. Basic Cleaning Instructions | 16 |
| 6.2. Corrective Maintenance | 16 |
| 7. Deinstallation, Transportation and Storage | 16 |
| 8. Disposal | 17 |
| 9. Approval | 17 |

1. Introduction

1.1. Before Using the Product



Important

Read and follow the instructions in this user manual before installing, operating or servicing this product.

The manufacturer will not accept liability for any resulting damages caused by the non-observance of this manual.

After unpacking, check the contents of the box. If any parts are missing or damaged, contact your Highlite International dealer.

Your shipment includes:

- DAP EDGE ED-1
- AC power adapter (0,9 m)
- Schuko to IEC power cable (1,3 m)
- 10 x BNC connector cable (0,5 m)
- 2 x BNC connector
- User manual

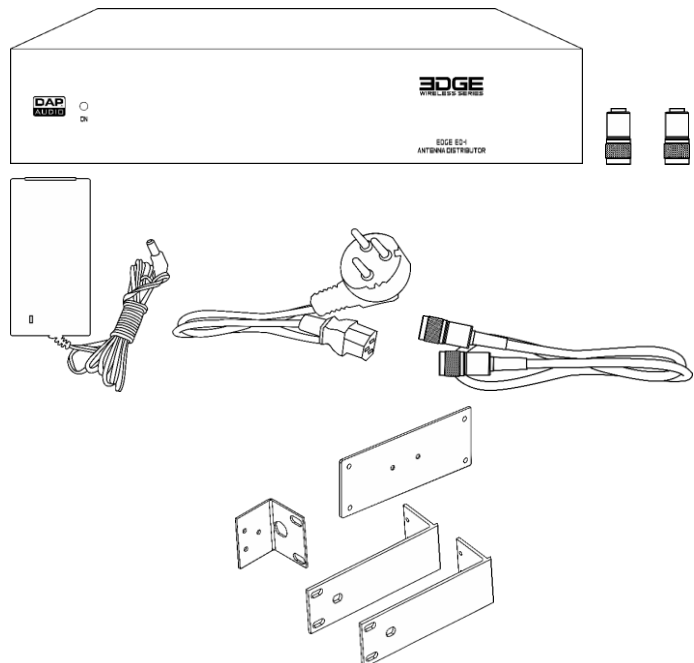


Fig. 01

Mounting kit:

- 2 x long mounting bracket
- Short mounting bracket
- Mounting plate
- 4 x mounting screw for the device
- 4 x mounting screw for the 19-inch rack

1.2. Intended Use

This device is intended for use as an antenna distributor. It is suitable only for indoor installation.

Any other use, not mentioned under intended use, is regarded as non-intended and incorrect use.

1.3. Product Lifespan

This device is not designed for permanent operation. Disconnect the device from the electrical power supply when the device is not in operation. This will reduce the wear and will improve the device's lifespan.

1.4. Text Conventions

Throughout the user manual the following text conventions are used:

- References: References to chapters and parts of the device are in bold lettering, for example: "Refer to **2. Safety**", "press the **power switch (03)**"
- 0–255: Defines a range of values
- Notes: **Note:** (in bold lettering) is followed by useful information or tips

1.5. Symbols and Signal Words

Safety notes and warnings are indicated throughout the user manual by safety signs.

Always follow the instructions provided in this user manual.



DANGER

Indicates an imminently hazardous situation which, if not avoided, will result in death or serious injury.



WARNING

Indicates an imminently hazardous situation which, if not avoided, could result in death or serious injury.



CAUTION

Indicates a potentially hazardous situation, which, if not avoided, may result in minor or moderate injury.



Attention

Indicates important information for the correct operation and use of the product.



Important

Read and observe the instructions in this document.



Provides important information about the disposal of this product.



1.6. Symbols on the Information Label

This product is provided with an information label. The information label is located on the bottom plate of the device.

The information label contains the following symbols:



This device shall not be treated as household waste.



2. Safety



Important
Read and follow the instructions in this user manual before installing, operating or servicing this product.

The manufacturer will not accept liability for any resulting damages caused by the non-observance of this manual.

2.1. Warnings and Safety Instructions



DANGER
Danger for children

For adult use only. The device must be installed beyond the reach of children.

- Do not leave various parts of the packaging (plastic bags, polystyrene foam, nails, etc.) within children's reach. Packaging material is a potential source of danger for children.



Attention
Incorrect handling of the AC power adapter may result in hazardous situations

This device is delivered with an AC power adapter. Incorrect handling of the AC power adapter may result in hazardous situations.

- Use only the AC power adapter delivered with the device.
- Do not wrap the power cable around the power adapter or any other object. This can damage the internal wires.
- Do not cover the power adapter with anything when it is plugged into the socket-outlet. This may cause overheating.
- Do not expose the power adapter to water or other liquids.

Do not use the power adapter:

- If it shows signs of overheating, for example the plastic is damaged
- If the AC input pins show signs of corrosion or overheating
- If the power cable is damaged or shows signs of material fatigue.



Attention
General safety

- Do not shake the device. Avoid brute force when installing or operating the device.
- If the device is dropped or struck, disconnect the device from the electrical power supply immediately.
- If the device is exposed to extreme temperature variations (e.g. after transportation), do not switch it on immediately. Let the device reach room temperature before switching it on, otherwise it may be damaged by the formed condensation.
- If the device fails to work correctly, discontinue the use immediately.

**Attention**

This device shall be used only for the purposes it is designed for.

This device is designed to be used as an antenna distributor. Any incorrect use may lead to hazardous situations and result in injuries and material damage.

- This device is not designed for permanent operation.
- This device does not contain user-serviceable parts. Unauthorized modifications to the device will render the warranty void. Such modifications may result in injuries and material damage.

**Attention**

Do not expose the device to conditions that exceed the rated IP class conditions.

This device is IP20 rated. IP (Ingress Protection) 20 class provides protection against solid objects greater than 12 mm, such as fingers, and no protection against harmful ingress of water.

2.2. Requirements for the User

This product may be used by ordinary persons. Maintenance and installation may be carried by ordinary persons. Service shall be carried out only by instructed or skilled persons. Contact your Highlite International dealer for more information.

Instructed persons have been instructed and trained by a skilled person, or are supervised by a skilled person, for specific tasks and work activities associated with the service of this product, so that they can identify risks and take precautions to avoid them.

Skilled persons have training or experience, which enables them to recognize risks and to avoid hazards associated with the service of this product.

Ordinary persons are all persons other than instructed persons and skilled persons. Ordinary persons include not only users of the product but also any other persons that may have access to the device or who may be in the vicinity of the device.

3. Description of the Device

The DAP EDGE ED-1 is a 4-way antenna distributor that can be used in setups with 4 or more receivers. The device can be used as the power supply for the receiver and for the antennas in the setup.

3.1. Front View

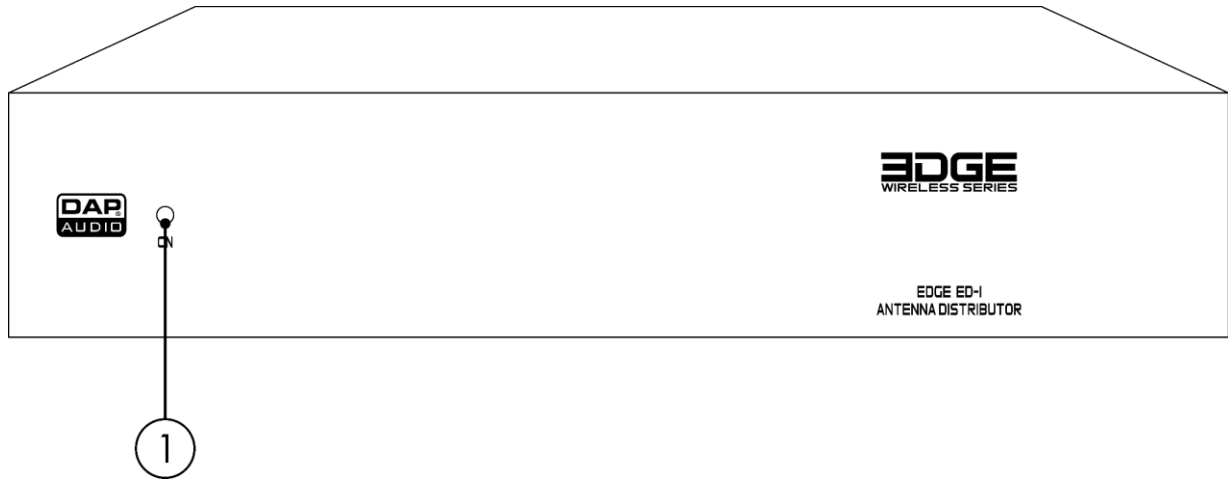


Fig. 02

01) LED power indicator

3.2. Back View

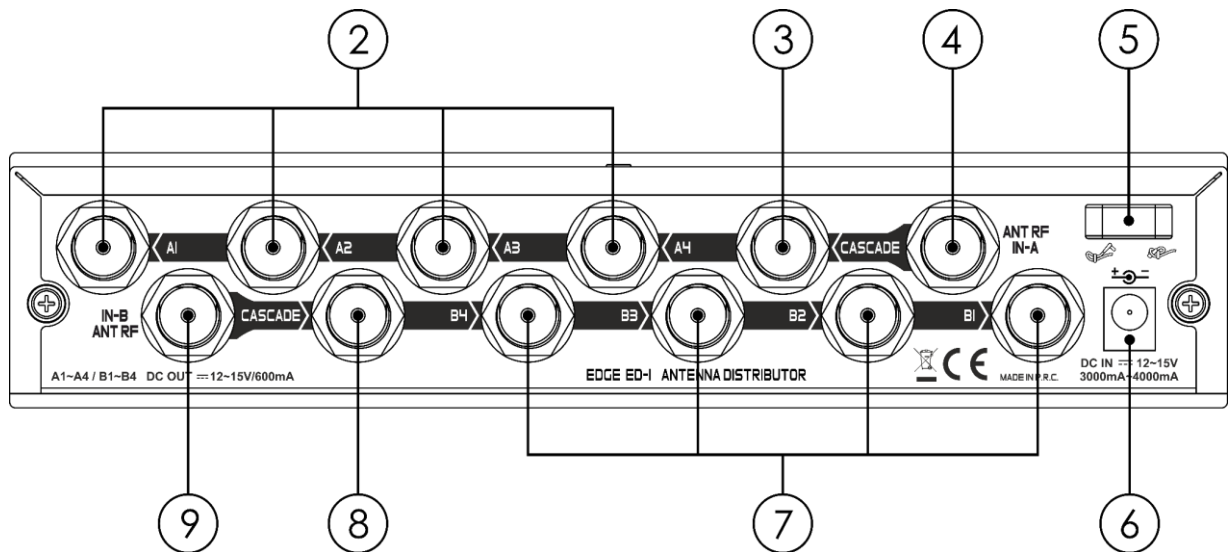


Fig. 03

- 02) 4 x BNC connector OUT (A1-A4, 12-15V 600 mA)
- 03) BNC connector OUT (RF A)
- 04) BNC connector IN (antenna A)
- 05) Power cable safety eye
- 06) 12-15 V DC power connector IN (3000-4000 mA)
- 07) 4 x BNC connector OUT (B1-B4, 12-15V 600 mA)
- 08) BNC connector OUT (RF B)
- 09) BNC connector IN (antenna B)

3.3. Product Specifications

| | |
|--|-------------------------------------|
| Model: | DAP EDGE ED-1 |
| Features: | |
| Wireless audio frequency: | 470–980 MHz |
| Inputs: | |
| RF antenna inputs: | 2 x BNC connector IN |
| RF antenna input impedance: | 50 Ω |
| Outputs: | |
| RF antenna outputs: | 10 x BNC connector OUT |
| RF receiver antenna output voltage: | 15 V |
| RF receiver antenna output current: | 600 mA |
| RF gaining: | 10 dBi |
| Physical: | |
| Dimensions: | 215 x 151 x 44,5 mm (L x W x H), 1U |
| Installation depth (excl. connectors): | 151 mm |
| Weight: | 1,02 kg |
| Construction: | |
| Housing: | Metal |
| Color: | Black |
| IP rating: | IP20 |
| Electrical: | |
| Input voltage: | 100–240 V AC, 50/60 Hz |
| Output voltage: | 12 V DC |
| Power consumption: | 1 W |
| Thermal: | |
| Maximum ambient temperature t_a : | 50 °C |
| Minimum ambient temperature: | -10 °C |

3.4. Accessories

The device is delivered without the receiver. The receiver is available in each of the following 4 sets:

- [D1475B](#) (EDGE EHS-1, 1-channel wireless handheld system)
- [D1476B](#) (EDGE EBS-1, 1-channel wireless bodypack system)
- [D1479B](#) (EDGE EHS-2, 2-channel wireless handheld system)
- [D1480B](#) (EDGE EBS-2, 2-channel wireless bodypack system)

The device is delivered without the antennas (omnidirectional or unidirectional). There are 2 sets of antennas available for this device:

- [D1486](#) (EDGE EUA-1, set of 2 unidirectional antennas)
- [D1487](#) (EDGE EOA-1, set of 2 omnidirectional antennas)

You can additionally purchase the following accessories:

- [D1477B](#) (EDGE EHM-1, handheld condenser microphone)
- [D1478B](#) (EDGE EBT-1, bodypack)

3.5. Dimensions

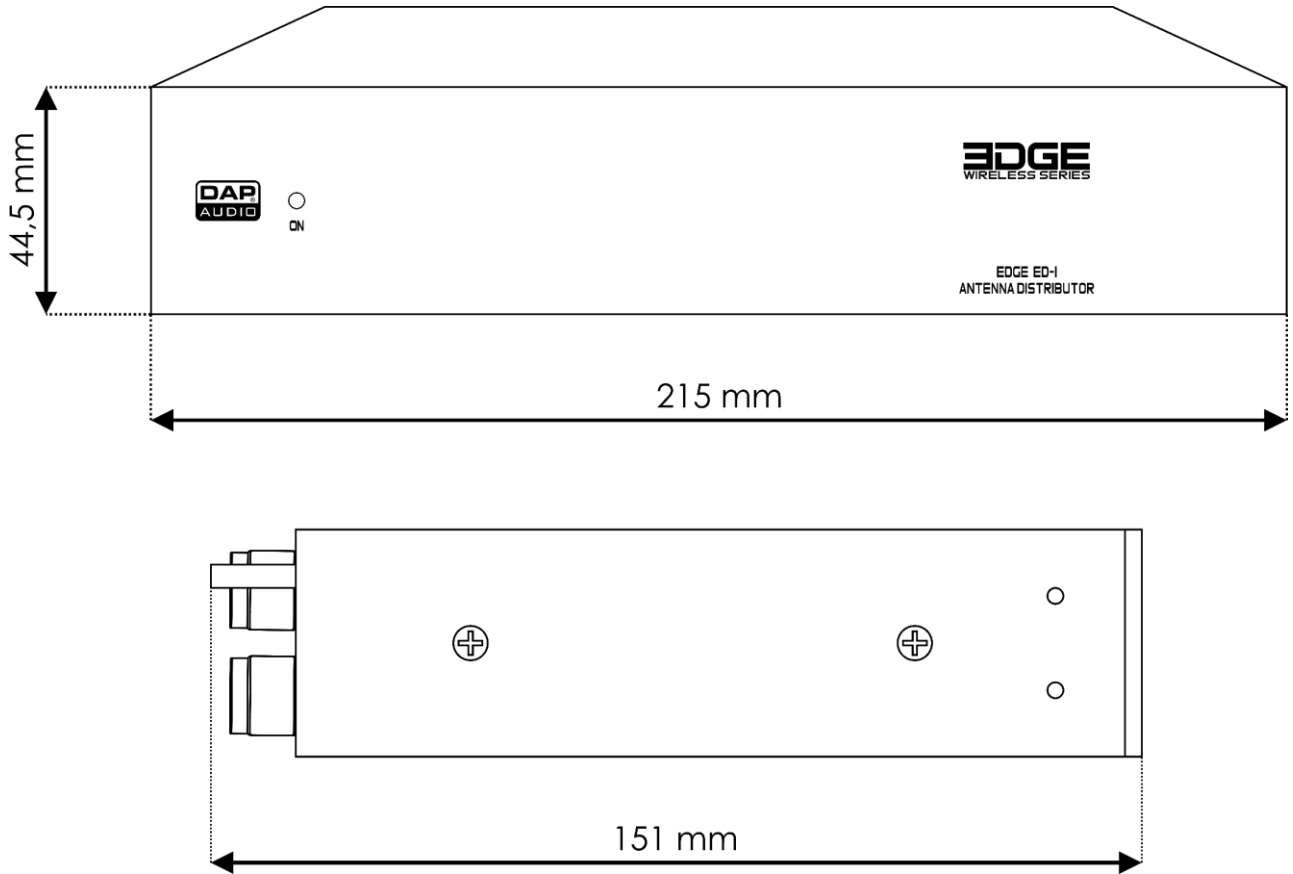


Fig. 04

4. Installation and Setup

4.1. Ambient Conditions

- The device can be used only indoors.
- The maximum ambient temperature $t_a = 50\text{ °C}$ must never be exceeded.
- The relative humidity must not exceed 50 % with an ambient temperature of 50 °C.

4.2. Installation

The device can be put on a stable, flat surface, or can be mounted in a standard 19-inch rack. The receiver requires 1 rack unit (U) of space, which is 44,45 mm high. Make sure that the rack is sufficiently secured to prevent it from becoming unstable or falling over.

The device is supplied with 2 mounting brackets and mounting screws. It is possible to mount a single or two devices in a 19-inch rack.

To mount the device, you need a Phillips screwdriver. To mount the device in a two-post rack, follow the steps below:

- 01) Attach the mounting brackets and/or the mounting plate to the device(s). See **4.2.1. Single Device** or **4.2.2. Two Devices** on pages 10–11 for more information.
- 02) Insert 4 cage nuts in the openings on the rack posts where you want to mount the antenna distributor(s).
- 03) Position the antenna distributor(s) in front of the rack posts so that the 4 x mounting openings on the mounting brackets face the openings on the rack posts with cage nuts.
- 04) Using a screwdriver, mount the antenna distributor(s) to the rack posts with 4 screws.

4.2.1. Single Device

Attach the supplied long mounting brackets with the mounting screws to the antenna distributor. Use a Phillips screwdriver to tighten the mounting screws.

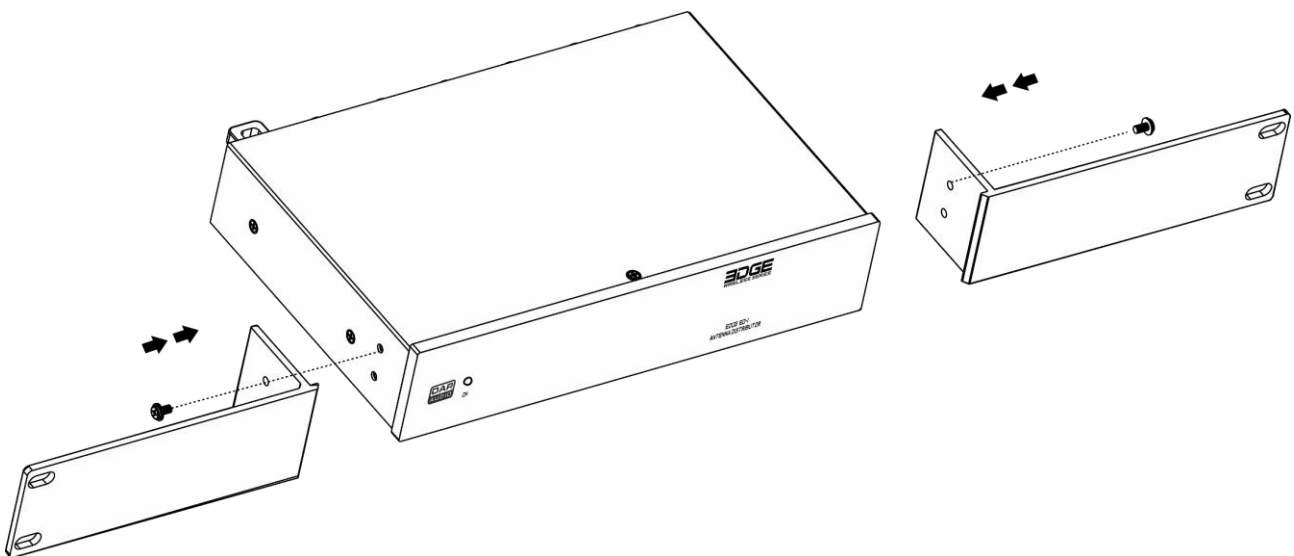
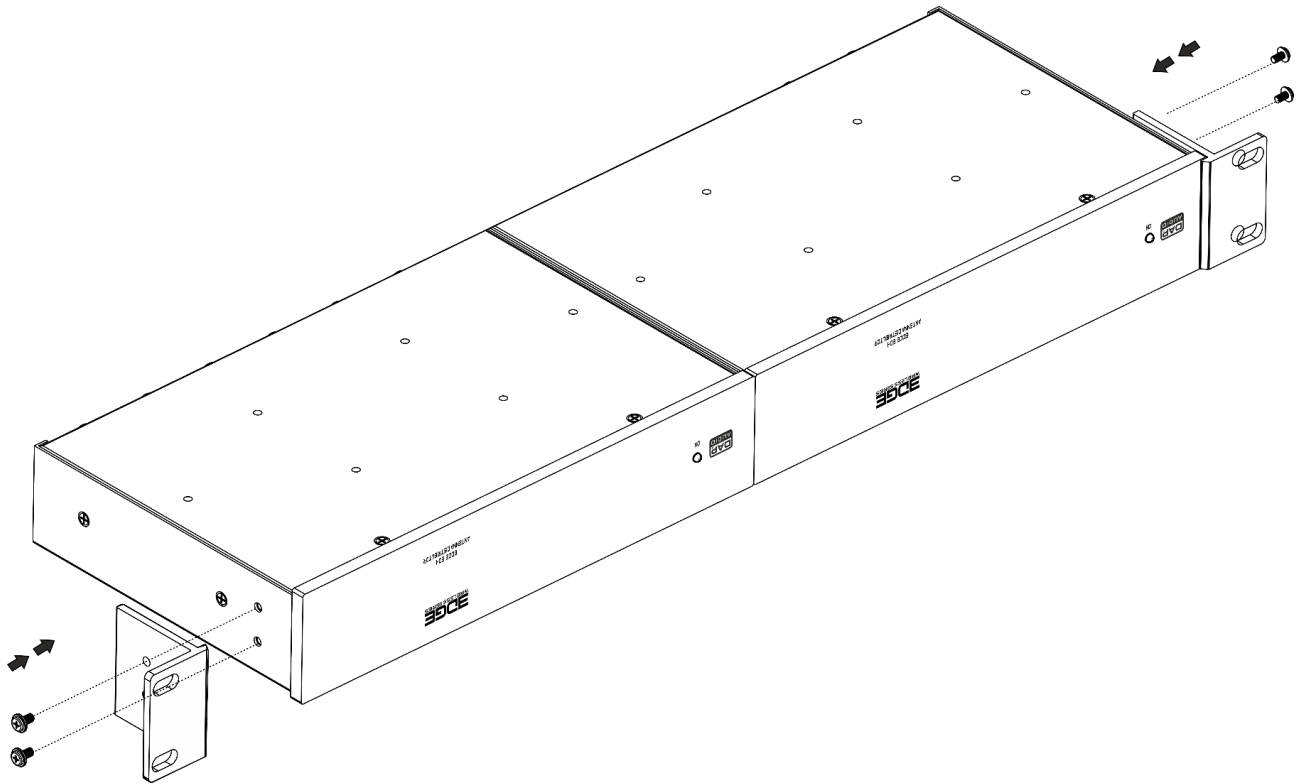


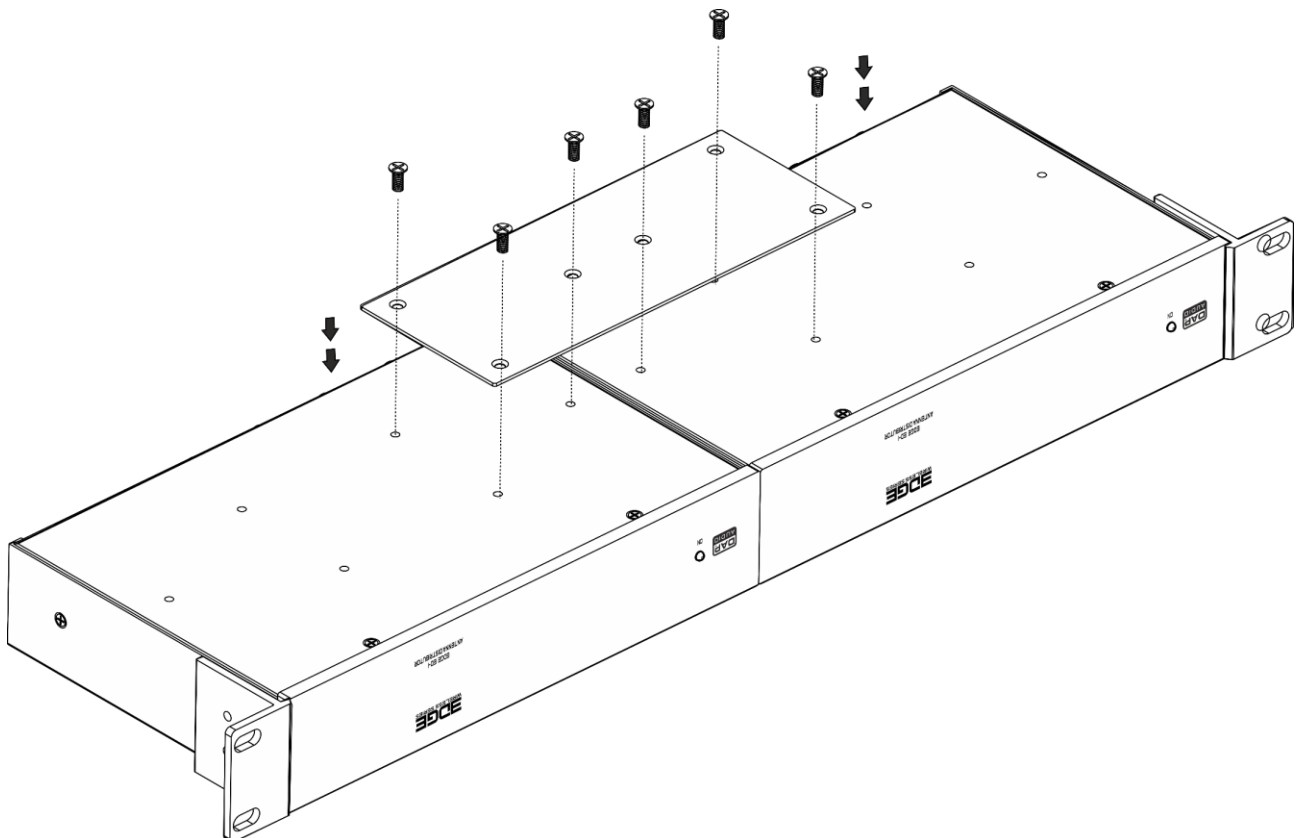
Fig. 05

4.2.2. Two Devices

- 01) Attach the supplied short mounting brackets with the mounting screws to the devices. Use a Phillips screwdriver to tighten the mounting screws.

**Fig. 06**

- 02) Attach the supplied mounting plate with the mounting screws to the bottom of both devices. Use a Phillips screwdriver to tighten the mounting screws.

**Fig. 07**

4.3. Setup



Attention
Connect all data cables before supplying power.
Disconnect power supply before connecting or disconnecting data cables.

It is possible to connect accessories to 1 or more antenna distributors, to provide better signal reception for the connected receivers. See **3.4. Accessories** on page 8 for more information.

To connect the antenna distributor to other devices, follow the steps below:

- 01) Connect other EDGE devices to the antenna distributor. See **3.4. Accessories** on page 8 and **4.3.1. Setup with Single Device** or **4.3.2. Setup with Two Devices** on pages 13–14 for more information.
- 02) Connect the antenna distributor to power supply. See **4.4. Connecting to Power Supply** on page 15.

The device can be used for powering of the receiver(s) in the setup.

Make sure that the phantom power of the receiver (ANT DC) is activated. Refer to the user manual of the receiver for more information.

Note:

ANT DC must be set:

- to ON, if the receiver is powered by its own power adapter.
- to ON, if the antenna distributor is connected to the receiver. The receiver will be powered by the antenna distributor.
- to OFF, if the antenna distributor and the power adapter of the receiver are both connected to the receiver.

4.3.1. Setup with Single Device

In a setup with 1 antenna distributor, you can connect up to 4 receivers and 1 set of unidirectional/omnidirectional antennas.

The antennas receive the signal from the transmitter(s) and send it to the antenna distributor. The antenna distributor sends the signal to each connected receiver.

The receivers, transmitters and the unidirectional/omnidirectional antennas are not supplied with the device. See **3.4. Accessories** on page 8.

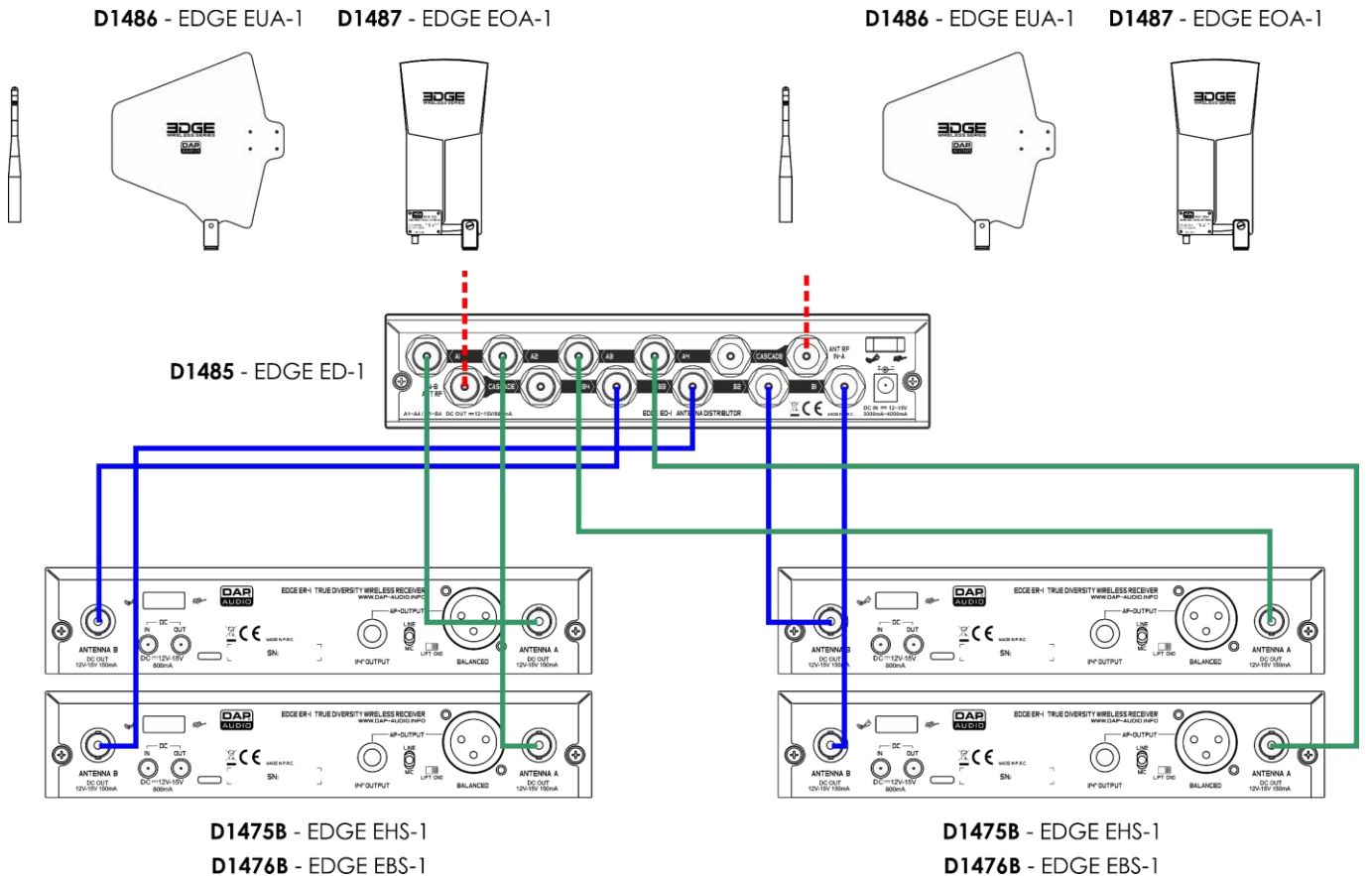


Fig. 08

4.3.2. Setup with Two Devices

In a setup with 2 antenna distributors, you can connect up to 8 receivers and 1 set of unidirectional/omnidirectional antennas.

The antennas receive the signal from the transmitter(s) and send it to the antenna distributor. The antenna distributor sends the signal to the other connected antenna distributor. Both antenna distributors send the signal to each connected receiver.

The receivers, transmitters and the unidirectional/omnidirectional antennas are not supplied with the device. See **3.4. Accessories** on page 8.

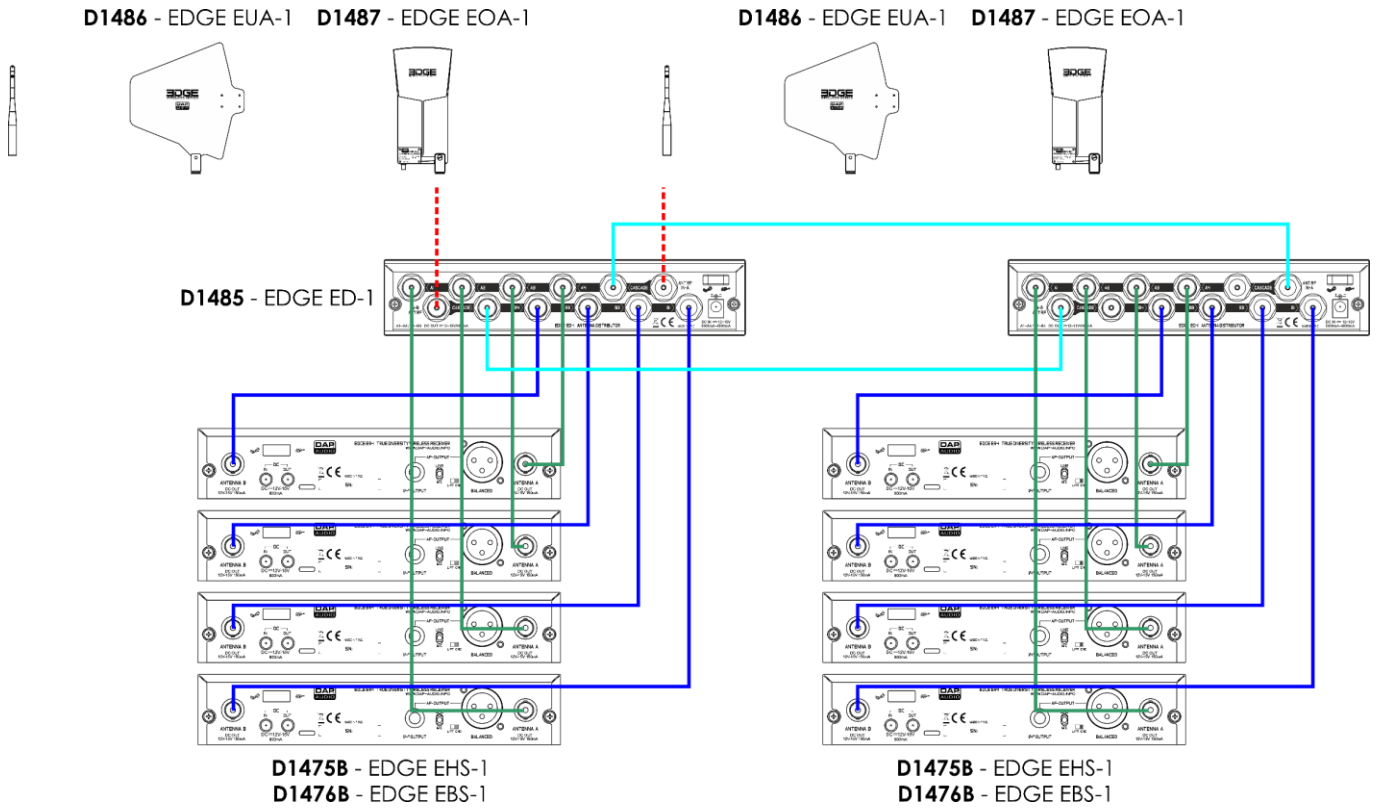


Fig. 09

4.4. Connecting to Power Supply



Attention
Incorrect handling of the AC power adapter may result in hazardous situations

This device is delivered with an AC power adapter. Incorrect handling of the AC power adapter may result in hazardous situations.

Connect the device to the socket-outlet with the supplied AC power adapter. Use only the AC power adapter delivered with the device.

- 01) Connect the supplied Schuko to IEC cable to the supplied AC power adapter.
- 02) Connect the AC cable to the **12–15 V DC power connector IN (06)**.
- 03) Connect the AC power adapter to the socket-outlet.

Notes:

- Make sure that the socket-outlet is easily accessible.
- Disconnect the AC power adapter from the socket-outlet when the device is not in use.

5. Troubleshooting

This troubleshooting guide contains solutions to problems which can be carried out by an ordinary person. The device does not contain user-serviceable parts.

Unauthorized modifications to the device will render the warranty void. Such modifications may result in injuries and material damage.

Refer servicing to instructed or skilled persons. Contact your Highlite International dealer in case the solution is not described in the table.

| Problem | Probable cause(s) | Solution |
|------------------------------------|--|---|
| The devices do not function at all | No power to the device | <ul style="list-style-type: none"> • Make sure that the device is connected to power supply |
| | The antennas do not function correctly | <ul style="list-style-type: none"> • Make sure that the antennas are connected correctly to the device |
| No sound | The receivers do not function correctly | <ul style="list-style-type: none"> • Make sure that the receivers are connected correctly to the device |
| | The transmitter is switched off or does not function correctly | <ul style="list-style-type: none"> • Make sure that the transmitter is switched on and the batteries are not depleted |
| | The transmitter is muted | <ul style="list-style-type: none"> • Make sure the transmitter is not muted |
| | The volume is too low | <ul style="list-style-type: none"> • Turn up the volume on the receiver • Make sure that the volume on the connected devices is turned up |
| | Channel selection | <ul style="list-style-type: none"> • Make sure that the receiver and the transmitter are paired. |
| | The transmitter is out of range | <ul style="list-style-type: none"> • Move the transmitter closer to the receiver |
| | Connections are defective | <ul style="list-style-type: none"> • Examine connections and cables. Correct defective connections. Repair or replace damaged cables |
| | The connected mixer or amplifier does not function correctly | <ul style="list-style-type: none"> • Make sure that the connected mixer or amplifier is switched on and functions correctly |

6. Maintenance

6.1. Preventive Maintenance

**Attention**

Before use, examine the device visually for any defects.

Make sure that:

- All screws used for installing the device or parts of the device are tightly fastened and are not corroded.
- There are no deformations on housings, fixations and installation points.
- The power cables are not damaged and do not show any material fatigue.

6.1.1. Basic Cleaning Instructions

To clean the device, follow the steps below:

- 01) Disconnect the device from the electrical power supply.
- 02) Allow the device to cool down for 5 minutes.
- 03) Clean the device with a soft, lint-free cloth.

**Attention**

- Do not immerse the device in liquid.
- Do not use alcohol or solvents.

6.2. Corrective Maintenance

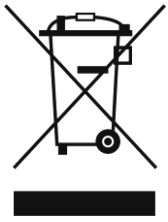
The device does not contain user-serviceable parts. Do not open the device and do not modify the device.

Refer repairs and servicing to instructed or skilled persons. Contact your Highlite International dealer for more information.

7. Deinstallation, Transportation and Storage

- Disconnect power supply before deinstallation.
- Use the original packaging to transport the device, if possible.
- Clean the device before storing. Follow the cleaning instructions in chapter **6.1.1. Basic Cleaning Instructions** on page 16.
- Store the device in the original packaging, if possible.

8. Disposal



Correct disposal of this product

Waste Electrical and Electronic Equipment

This symbol on the product, its packaging or documents indicates that the product shall not be treated as household waste. Dispose of this product by handing it to the respective collection point for recycling of electrical and electronic equipment. This is to avoid environmental damage or personal injury due to uncontrolled waste disposal. For more detailed information about recycling of this product contact the local authorities or the authorized dealer.

9. Approval



Hereby, Highlite International declares that the device EDGE ED-1, product code D1485, is in compliance with Directive 2014/53/EU (RED – Radio Equipment Directive).

The full text of the EU declaration of conformity is available at the respective product page on the website of Highlite International (www.highlite.com).

The DAP EDGE ED-1 is a Class 2 wireless audio device (Commission Decision 2000/299/EC).

Frequency: 470–980 MHz

| | | | | | | | | | | | | | | |
|--|----|----|----|----|----|----|----|----|----|----|----|----|----|----|
| | BE | BG | CZ | DK | DE | EE | IE | EL | ES | FR | HR | IT | CY | LV |
| | LT | LU | HU | MT | NL | AT | PL | PT | RO | SI | SK | FI | SE | |

Exclusion of liability

The frequency ranges available for radio transmitters differ per country and region. Consult the respective national and/or regional authority as licensing or specific restrictions may apply for the use of the device. We do not take any responsibility in case the device cannot operate or cannot be used in your country/region or if it requires additional licensing. Before using the device, check the allowed frequencies in your country or region.



©2023 DAP