

# RGBW WiFi+DMX512 Controller

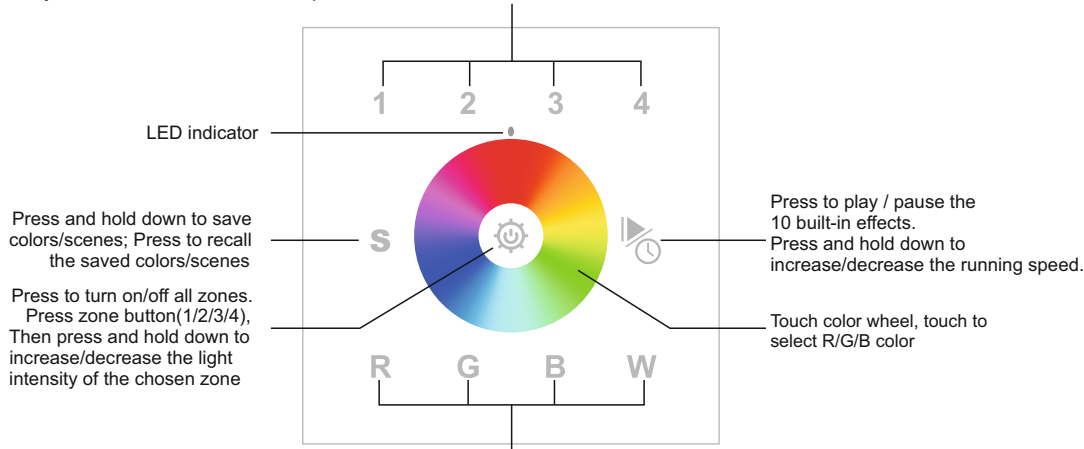
09.282WI.04152



**Important:** Read All Instructions Prior to Installation

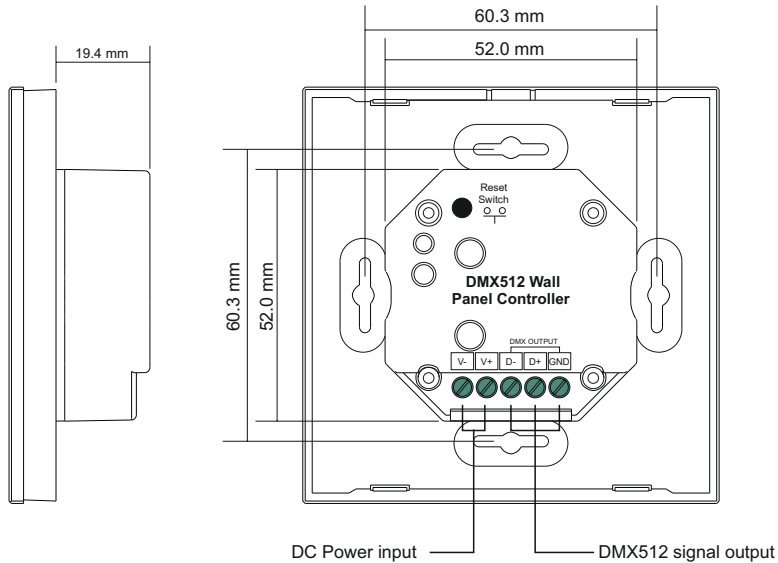
## Function introduction

Button 1,2,3,4 are zone numbers. Short press a number to select a zone. Press and hold down to turn on/off corresponding zone. To synchronize several zones, short press 2 or more buttons, one after another.



**R/G/B/W 4channels:**Click to turn off/on Red, Green, blue or White  
Press and hold down to increase/decrease light intensity of each channel

Front side

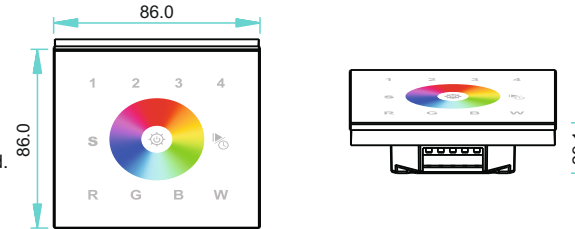


Back side

## Product Data

Output Signal	DMX512+WiFi signal
Power Supply	12-24VDC
Power consumption	< 20 mA
Operating temperature	0-40°C
Relative humidity	8% to 80%
Dimensions	86x86x29.1mm

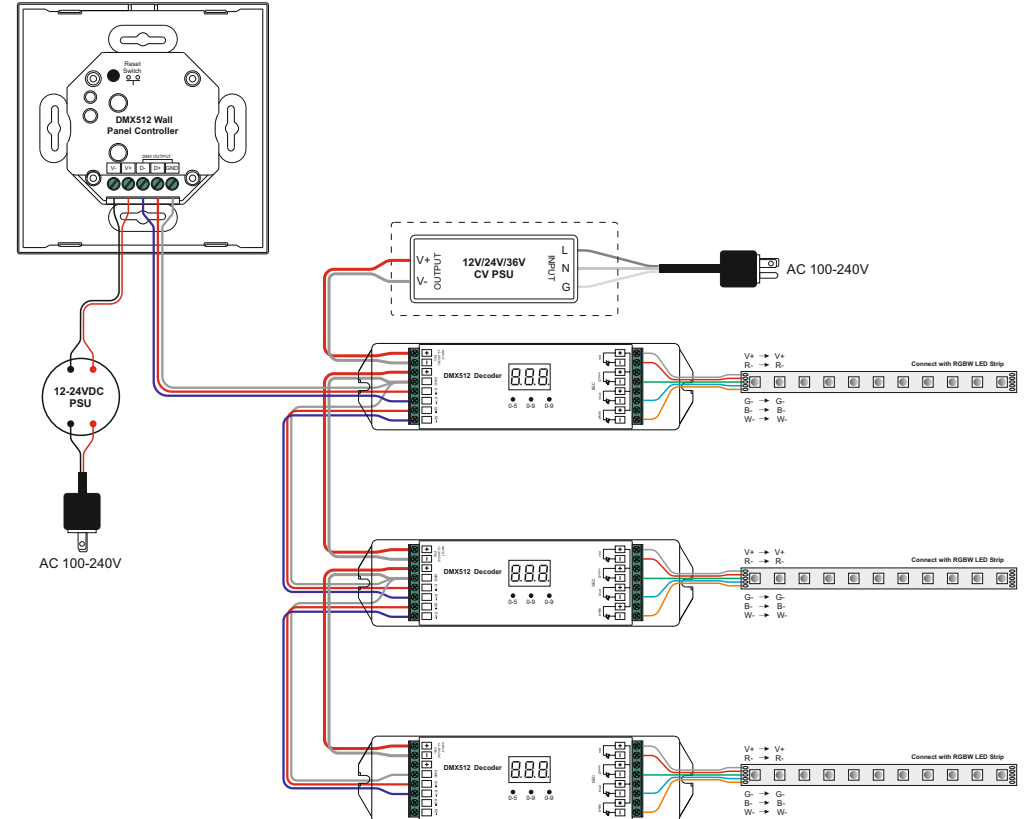
- Touch sensitive
- Glass interface(white & black)
- Standard DMX512 Signal output
- Can be controlled by WiFi controller
- Control RGBW color
- Control 4 zones synchronously and separately
- Waterproof grade: IP20



## Safety & Warnings

- DO NOT install with power applied to device.
- DO NOT expose the device to moisture.

## Wiring diagram



## Set DMX Address

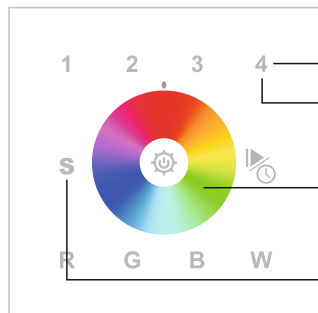
This DMX master controller controls 4 zones of DMX decoders by setting DMX decoders' address as follows:

DMX decoders with address 001 will be controlled by zone 1,

DMX decoders with address 005 will be controlled by zone 2,

DMX decoders with address 009 will be controlled by zone 3,

DMX decoders with address 013 will be controlled by zone 4.



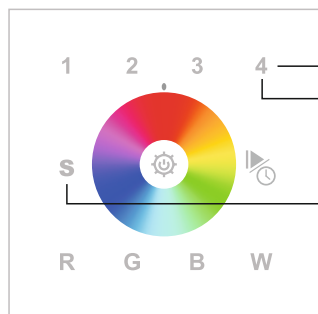
### Save color/scene/mode

**Step 1:** Choose and click one or multiple paired zone numbers (e.g. zone 4)

**Step 4:** Immediately click any number of 1-4 (e.g. 4) (here the numbers mean 4 scenes can be saved for the selected zone). LED lights connected with the DMX decoder flicker once means the color/scene was saved successfully.

**Step 2:** Touch the color wheel or click the other buttons to select the scene you like

**Step 3:** Press and hold down button S until the LED indicator flashes once



### Recall the saved colors/scenes

**Step 1:** Choose and click one or multiple paired zone numbers (e.g. zone 4)

**Step 3:** Click any numbers 1-4 (e.g. 4) (here the numbers mean the 4 scenes saved for selected zone) to recall the saved scene

**Step 2:** Click button S

## WiFi Control via APP installed on IOS or Android system

This DMX master controller can be WiFi controlled via APP installed on IOS or Android system, please follow the instructions below:

- 1) Search and download "EasyLighting" APP from APP Store or Google Play on your mobile device.
- 2) Wire up the controller correctly according to wiring diagram and power on.
- 3) Search and connect your mobile device WLAN to the controller network "EasyLighting". Password is 0123456789.
- 4) Run "EasyLighting" APP on your mobile device. Please refer to the user manual of "EasyLighting" APP to learn how to pair and control.

**WiFi Reset Button:** Once configured to your home router, the controller can be controlled via your wireless home network by connecting the mobile device WLAN to your wireless home network. The "WiFi reset" button is used to factory reset the WiFi setting of the controller if you would like to directly control it again via "EasyLighting" network.

**the app is 8 zone control, so you may set more zones for the WiFi control as below:**

DMX decoder's address 001 is controlled by Zone 1

DMX decoder's address 005 is controlled by Zone 2

DMX decoder's address 009 is controlled by Zone 3

DMX decoder's address 013 is controlled by Zone 4

DMX decoders with address 013 will be controlled by zone 4,

DMX decoders with address 017 will be controlled by zone 5,

DMX decoders with address 021 will be controlled by zone 6,

DMX decoders with address 025 will be controlled by zone 7,

DMX decoders with address 029 will be controlled by zone 8.

Each zone can pair endless of DMX decoders if you set the address accordingly.

## Installation

