



**S-600 Yeti
Snow Machine
User Manual
- English**



1. Introduction	1
2. Safety Information.....	1
3. Package Contents & Inspection.....	2
4. Machine Details.....	3
5. Technical Label Information.....	3
6. Snow Fluid.....	3
7. Setting and Manual Operation.....	4
8. Control Settings	4
9. Machine Status Description.....	6
10. DMX Connection	6
11. RDM Function.....	7
12. WTR-20 Wireless Remote (Standard).....	7
13. TIMO-WTR-90 W-DMX Add-on Module (Optional)	8
14. SC-4 Cable Remote (Optional).....	9
15. S-600-BH 5 Liter Bottle Holder without Bottle (Optional).....	9
16. S-600-TKC 20L Tank Cap Assembly w/5M Fluid Tube (Optional).....	9
17. Service and Maintenance.....	10
18. Technical Specifications	11
19. Warranty Disclaimer.....	11
20. Machine Dimension.....	11
1. 前言	12
2. 安全注意事項	12
3. 包裝內容與檢查	13
4. 機器訊息	14
5. 技術標籤資訊	14
6. 雪花水	14
7. 設定與手動操作說明	15
8. 控制設定	15
9. 機器狀態說明	17
10. DMX 說明.....	17
11. RDM 功能	18
12. WTR-20 無線控制器(標配)	19
13. TIMO-WTR-90 無線 DMX 擴充模組(選配).....	19
14. SC-4 有線控制器(選配)	20
15. S-600-BH 5 公升油桶座不含油桶(選配).....	20
16. S-600-TKC 20 公升油桶蓋組合 5 米油管(選配).....	21
17. 維護和保養	21
18. 技術規格	22
19. 保固聲明	22
20. 機器尺寸圖	22
Appendix I – Grounding Instruction.....	23






User Manual

1. Introduction

Please read all the user manual before operating the machine, and place the manual where the user can refer to it at all time. The manual includes how to install and operate the machine under safe condition and explain all the labels printed on the machine. If you encounter any problem, contact your local Antari dealer for assistant immediately.

2. Safety Information

	DANGER	If the danger is not avoided, it will cause death or serious injury
	WARNING	If the warning is not heeded, it can cause death or serious injury.
	CAUTION	If the precaution is not taken, it may cause minor or moderate injury.



DANGER

- Must connect the machine to the correct rated voltage or it might lead to an electrical shock or a burn and may cause serious consequences.
- Must connect the machine to a protected circuit and ensure it is properly grounded to avoid the risk of electrocution. For grounding instruction, please refer to Appendix I on page 23.
- Do not operate the machine with a bundled power cord, it could lead to a fire hazard.
- When operating the machine, do not point at people, animals, or fire.



WARNING

- Please operate the machine on a flat, level hard and well ventilated surface area, reserve at least 50cm space around the machine and make sure there is no flammable gas or material nearby.
- Do not disassemble, repair or modify the machine, it may cause damages, malfunction, risk of electrical shock or result in fire.
- The machine can only be operated by adults or professionals, is not intended for use by person with reduced physical sensory, mental capabilities, or lack of experience and knowledge including children.
- Do not leave the machine running unattended, make sure all powers are off when leaving.
- Children should be supervised to ensure that they do not play with the machine.
- Do not use the machine upside down or tilt it, it might cause damages or malfunction.
- Please store the fluid inside in a well ventilated area without direct sunlight and keep out of reach of children. In case of eye contact or accidentally swallow the fluid, please seek medical attention immediately.



CAUTION

- Keep the machine dry at all time. The machine is not waterproof, do not expose the machine to water, rain, or moisture environment.
- Please make sure the power outlet is not damaged or loose before plug in the power cord.
- If the power cord is damaged, it must be replaced by Antari or its local dealers, otherwise the warranty will be void.
- Before operating the machine, please sure the fluid is filled in the fluid tank to avoid the pump in idling state which could lead to overheat or malfunction.
- Before transporting the machine, please make sure the fluid is drained and tank is empty. (Recommend using

- original package)
- The machine is for indoor use only.
- Do not operate the machine in any area with unstable voltage.
- If you experience strange sound or malfunction, turn off the power and unplug the power cord immediately and contact your local Antari dealer for assistant.
- Do not contact any moving part.
- Only use accessories recommended or sold by Antari.
- Please make sure the power is off when not using the machine and unplug the power cord if not intend to use for a long period of time.
- To disconnect, turn all controls to the off position, then remove plug from outlet.
- Do not unplug by pulling on cord. To unplug, grasp the plug, not the cord.
- Unplug from outlet before servicing or cleaning.
- Do not operate the machine with a damaged cord or plug, or after the machine malfunctions or is dropped or damaged in any manner. Return machine to the nearest authorized service facility for examination, repair, or electrical or mechanical adjustment.
- To ensure the lifespan of the machine, please only use the fluid manufactured by Antari, do not use other fluid or additive, otherwise it may cause malfunction.

Before operating the machine, please read all warning labels on the machine, description as below:

Rear Cover Printing

WARNING!

DISCONNECT POWER BEFORE CHANGING FUSE.

USE ONLY WITH ADULT SUPERVISION.

DO NOT OPERATE WITHOUT LIQUID.

FOR INDOOR USE ONLY. KEEP DRY.

NO USER SERVICEABLE PARTS INSIDE.

3. Package Contents & Inspection

Immediately upon receiving the machine, carefully unpack the carton, check the content to ensure it is the correct model and all parts are included. If any part appears to be damaged or missing during transportation, please contact your local dealer and return in original package for inspection.

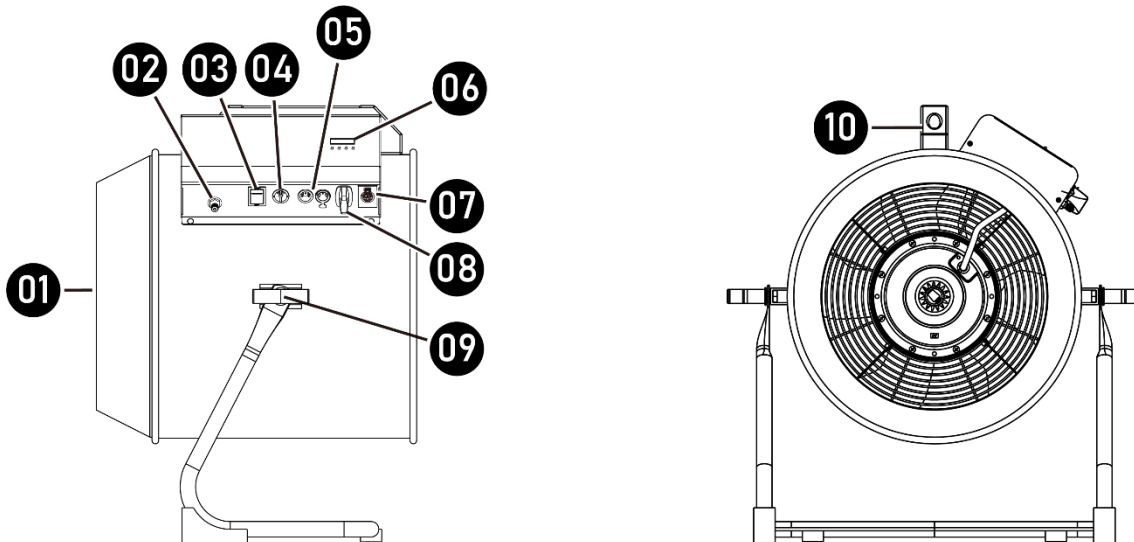
3.1 Package Contents

- 1 x S-600 Yeti Snow Machine
- 1 x WTR-20 Wireless Remote
- 1 x Neutrik powerCON Power Cable
- 1 x 5M Fluid Tube with Filter
- 1 x Hanging Bracket
- 1 x User Manual or Scan QR Code on the Machine

3.2 Optional Accessories

Item Code	Description
SC-4	Cable Remote
TIMO-WTR-90	W-DMX Add-on Module
S-600-BH	5-Liter Bottle Holder w/o Bottle
S-600-TKC	20 Liters Tank Cap Assembly w/5M Fluid Tube

4. Machine Details



01. Nozzle	06. Digital Control Interface
02. Fluid Tube Connector	07. XLR 4-Pin Connector (Remote)
03. 2 in 1 Power Switch	08. W-2 Wireless Receiver
04. Neutrik powerCON Connector (Power)	09. T-Shape Handle
05. XLR 5-Ping Connector (DMX)	10. Handle

5. Technical Label Information

Please read the technical label information on the back of the machine before operating it.

1. Model Name	5. Breaker/Fuse
2. Input Voltage	6. QR CODE for User Manual
3. Frequency	7. Serial No.
4. Rated Power	

6. Snow Fluid

	CAUTION	Always turn off the power before filling the fluid tank. Do not add flammable liquid to the fluid tank. If fluid gets inside the machine, please contact your local Antari dealer for assistant.
--	----------------	--

- Only the snow fluid manufactured by Antari can be used, do not mix or dilute the snow fluid.
- The machine is tested and calibrated with the specific snow fluid to get the best performance.
- Please empty the fluid in the tank before switching to another fluid to avoid mixing.
- The warranty on your snow machine will be void if you use snow fluid not manufactured by Antari.

7. Setting and Manual Operation



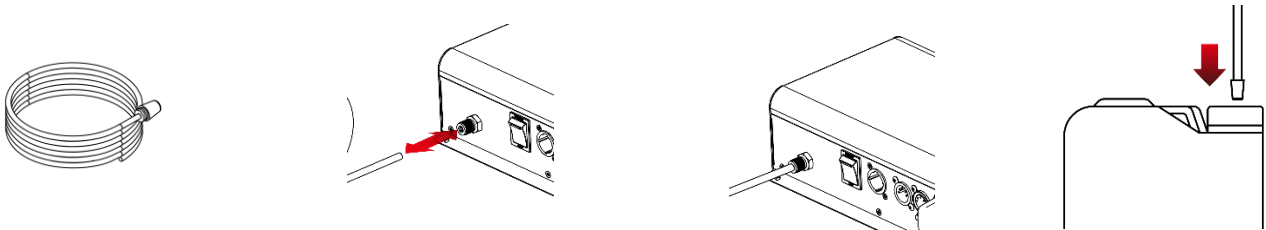
WARNING

Machine falling off might cause serious injury, please make sure it is secure and firm on the overhead.

- Step 1.** Place the machine on a flat, level hard and well ventilated surface area and reserve at least 50cm open space around the machine, and make sure there is no flammable gas or material nearby;
- Step 2.** Fill the fluid tank with Antari approved snow fluid;
- Step 3.** Connect the 5M fluid tube to machine and put the filter into the fluid tank; (Please see graph below)
- Step 4.** Plug the machine to the power outlet. Please read the technical label on the back of the machine and make sure the power outlet has the correct rated voltage for the machine;
- Step 5.** Turn on the power, press [TIMER] button to start snowing and press [STOP] to stop snowing;
- Step 6.** Or turn on the power, press [VOLUME] button to start snowing and press [STOP] to stop snowing;
- Step 7.** To turn off the power, please make sure the machine is not operating. If you will not use the machine a long period of time, please unplug the power cord.

***The motor of S-600 continues running for about 5 seconds after pressing [STOP] button, please turn off the power after the motor stop running.

Connecting Fluid Tube Instruction:

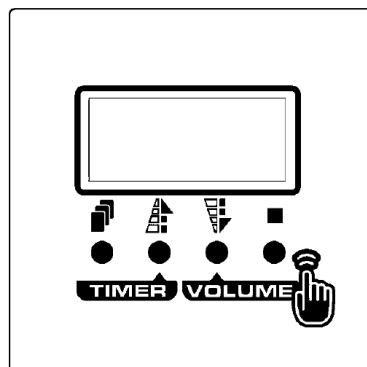


8. Control Settings







S-600 Yeti Snow Machine can be operated in the following modes. The machine can only accept 1 type of signal at a time.

- Manual
- Timer
- DMX512
- W-DMX
- Wireless
- Cable Remote

8.1 Control Panel Description



S-600 Yeti Snow Machine can be operated with the onboard digital control interface.

Button	Operating Method	Function
	Press	To enter and scroll through setting menu
	Press	Increase value/Up (In the Menu)
	Press	Decrease value/Down (In the Menu)
	Press	Press to active timer function (Ready Status)
	Press	Press to active volume function (Ready Status)
	Press	Stop/Confirm/Return

8.2 Menu Options Description

Menu	Description								
Interval xxx min.	Set Interval Time from 1 - 240 minutes								
Duration xxx Sec	Set Duration Time from 5 - 999 seconds								
Volume Out xxx%	Set Output Volume from 0 - 100%								
Blower xxx%	Set blower output from 0 to 100% to adjust snowflake size. The smaller output, the bigger snowflake.								
Fan Speed xxx%	Set fan speed from 0 to 100%								
DMX512 Add: xxx	DMX-512 Address: 001-510								
Wireless On/Off	Turn ON/OFF Wireless Function								
Run Last Set On/Off	Turn ON/OFF Memory Mode (Turn ON, the machine will remember last setting)								
Link Mode Wired/Wireless	Link Mode : Wired / Wireless								
W-DMX Unlink?	Wireless DMX Linking : Linking cancelled								
W-DMX ---	Wireless DMX status <table border="1"> <tbody> <tr> <td>W-DMX ok</td> <td>W-DMX Transmitter assigned, DMX signal received.</td> </tr> <tr> <td>No DMX</td> <td>W-DMX transmitter assigned, No DMX signal</td> </tr> <tr> <td>TX Lost</td> <td>W-DMX link lost or linking to transmitter</td> </tr> <tr> <td>Unassign</td> <td>W-DMX Transmitter not assigned</td> </tr> </tbody> </table>	W-DMX ok	W-DMX Transmitter assigned, DMX signal received.	No DMX	W-DMX transmitter assigned, No DMX signal	TX Lost	W-DMX link lost or linking to transmitter	Unassign	W-DMX Transmitter not assigned
W-DMX ok	W-DMX Transmitter assigned, DMX signal received.								
No DMX	W-DMX transmitter assigned, No DMX signal								
TX Lost	W-DMX link lost or linking to transmitter								
Unassign	W-DMX Transmitter not assigned								
UID 1ED8 06020001	Product UID Code								
Run Time 0000000H	Accumulated Snowing time : 0 - 9999999 hour								
W. Remote Pair/Upair	Wireless Transmitter : Pair / Unpaired								
KeySound Set On/Off	Keypad Sound : On / Off								
Backlite AlwaysOn/AutoOff	Screen Backlite: Always On /Auto Off								
Default Proceed?	Reset to factory settings								

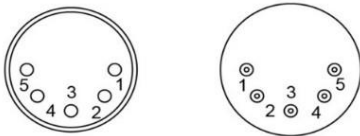
9. Machine Status Description

Screen	Description
S-600 v1.0	Software Version
AC Input AC-XXX	Input Voltage
Ready To Snow	Machine is ready to make snow.
Remote Out xxx%	SC-4 wired remote operating (only shows when SC-4 is connected)
Volume Out xxx%	Running at volume mode
Interval xxx min	Running at timer mode, Interval time
Duration xxx sec	Running at timer mode, Duration time
DMX-512 Add: xxx	Current DMX 512 channel
Priming 100%	Activate pump at maximum output
Wrong Voltage!	Wrong input voltage
AC Power Failure	AC Power Failure

10. DMX Connection

10.1 DMX Connector Pin Assignment

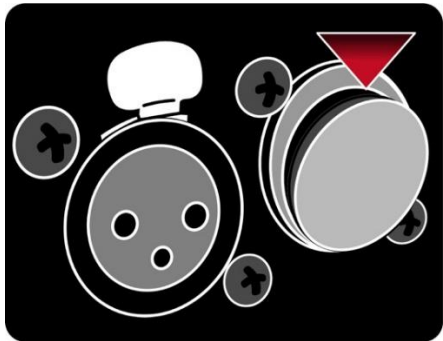
The machine has a 5-Pin for DMX connection. The diagram below indicates pin assignment information.



5 Pin XLR

Pin	Function
1	Ground
2	Data-
3	Data+
4	N/A
5	N/A

The cap on the DMX IN port is a protection cover. Please remove it with your finger before operation.



10.2 DMX Setting

Channel 1	DMX Value Range	Function
Snow Output Volume	0 – 5	Snow off
	6 – 255	Snow Output 0 – 100%
Channel 2	DMX Value Range	Function
Blower Output	0 – 5	Blower off
	6 – 255	Blower Output 0 – 100%
Channel 3	DMX Value Range	Function
Fan Output	0 – 5	Fan off
	6 – 255	Fan Output 0 – 100%

11. RDM Function

The S-600 Yeti Snow Machine is RDM enabled, allowing control system to configure, monitor and manage. See below table for supported RDM parameters.

GET Allowed	SET Allowed	Category	RDM Parameter ID's (Slot 21-22)	Value	Required
		Network Management	DISC_UNIQUE_BRANCH	0x0001	O
			DISC_MUTE	0x0002	O
			DISC_UN_MUTE	0x0003	O
O		RDM Information	QUEUED_MESSAGE	0x0020	
O			SUPPORTED_PARAMETERS	0x0050	O
O			PARAMETER_DESCRIPTION	0x0051	O
O		Product Information	DEVICE_INFO	0x0060	O
O			PRODUCT_DETAIL_ID_LIST	0x0070	
O			DEVICE_MODEL_DESCRIPTION	0x0080	
O			MANUFACTURER_LABEL	0x0081	
O	O		DEVICE_LABEL	0x0082	
O			SOFTWARE_VERSION_LABEL	0x00C0	O
O	O	DMX512 Setup	DMX_PERSONALITY	0x00E0	
O			DMX_PERSONALITY_DESCRIPTION	0x00E1	
O	O		DMX_START_ADDRESS	0x00F0	O
O			SLOT_INFO	(0x0120)	
O			SLOT_DESCRIPTION	(0x0121)	
O			DEFAULT_SLOT_VALUE	(0x0122)	
O		Sensors	SENSOR_DEFINITION	0x0200	
O	O		SENSOR_VALUE	0x0201	
O			DEVICE_HOURS	0x0400	O
O	O	Control	IDENTIFY_DEVICE	0x1000	O

12. WTR-20 Wireless Remote (Standard)

WTR-20 Wireless Remote is a standard accessory for S-600 Yeti Snow Machine, it included a W-2 wireless transmitter and a W-2 wireless receiver (Already on the machine) and it's ready to use. If you encounter any problem, please contact your local Antari dealer for assistant.

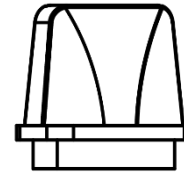
12.1 W-2 Wireless Transmitter & Receiver

- Battery : 27A 12V
- Effective Range : The effective range is approximately 50m, depends on actual condition, it may vary.
- W-2 wireless transmitter has 4 buttons, each function as follow:

Button	Function
[A]	Press Once: Start Press & Hold for 2 secs: Turn off power
[B]	Adjust Snow Output Range: 0/20/40/60/80/100%
[C]	Adjust Motor Output Range: 0/20/40/60/80/100%
[D]	Adjust Fan Output Range: 0/20/40/60/80/100%



W-2 Wireless Transmitter



W-2 Wireless Receiver
(On the Machine)

12.2 Pair & Unpair

Each receiver can pair up to 5 transmitters, please follow the steps below to pair or unpair;

Step 1. Press [MENU] button and select [Setting], find Screw the menu until [W.Remote] shows on display;

UP: Pair
DOWN:Unpair

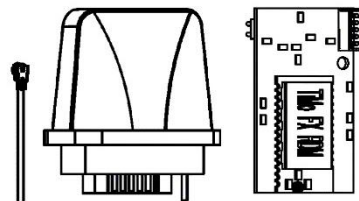
Step 2. Press [UP] button to select [Pair] then press [STOP] button, and press any button on W-2 transmitter to pair it;

Step 3. Please repeat Step 2 to pair multiple transmitters;

Step 4. To unpair, repeat Step 1 and press [DOWN].

13. TIMO-WTR-90 W-DMX Add-on Module (Optional)

TIMO-WTR-90 W-DMX Add-on Module is an optional accessory for S-600 Yeti Machines. This is for wireless ready machine wanting to add W-DMX function. Please see installation manual for details. If you encounter any problem, please contact your local Antari dealer for assistant. The Wireless DMX Control supports both CRMX and W-DMX protocols



14. SC-4 Cable Remote (Optional)



SC-4 Cable Remote is an optional accessory for S-600 Yeti Snow Machine, please see instruction below;

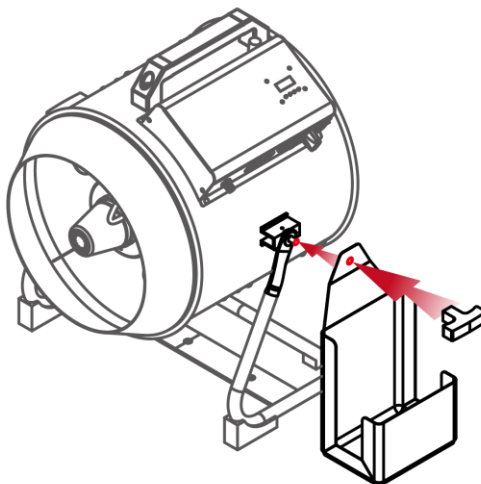
Button/Knob	Function
SNOW VOLUME [KNOB]	Adjust Snow Output
BLOWER SPEED [KNOB]	Adjust Motor Output
FAN SPEED [KNOB]	Adjust Fan Output
TIMER [YELLOW BUTTON]	Active Timer Mode
POWER [RED BUTTON]	Power On/Off
MANUAL [GREEN BUTTON]	Max. Snow/Motor/Fan Output

Note:

- ** You must turn on the power of the remote in order to use it.
- ** MANUAL [GREEN BUTTON] is meant for priming use, when use the machine for the first time, using a new tank of fluid or refill the fluid may not pump properly due to airlock in the tube, you can use this function to activate pump and fan at maximum output and force the air out the tube.
- ** If you encounter any problem, please contact your local Antari dealer for assistant.

15. S-600-BH 5 Liter Bottle Holder without Bottle (Optional)

S-600-BH 5 Liter Bottle Holder is an optional accessory for S-600 Yeti Snow Machine, please see installation procedure below;

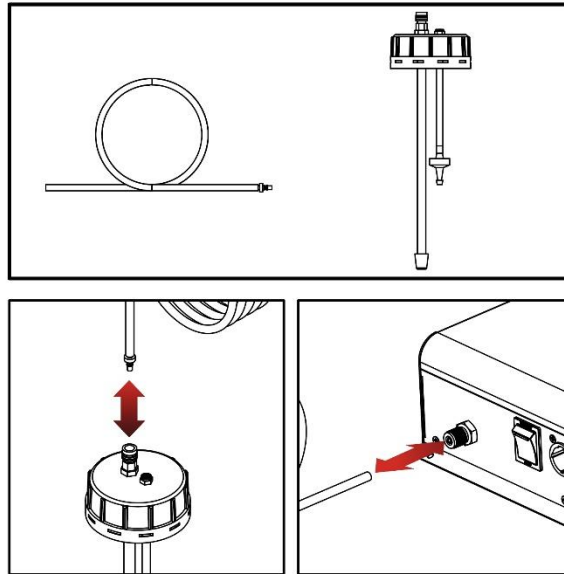


- Step 1. Release the T Shaped Handle on S-600;
- Step 2. Install the 5 Liter bottle holder;
- Step 3. Screw the T Shaped Handle back to tightly.


16. S-600-TKC 20L Tank Cap Assembly w/5M Fluid Tube (Optional)

S-600-TKC 20L Tank Cap Assembly w/5M Fluid Tube is an optional accessory for S-600 Yeti Snow Machine, please see

installation procedure below;



17. Service and Maintenance

	DANGER	Disconnect the power cord before starting maintenance operation!
--	---------------	--

- Always keep the machine clean and dry.
- Can use an air compressor, a vacuum or a soft brush to remove the dust on the machine.
- Can use a slightly damp cloth to clean the casing.
- Before store or after each use of the machine, pump pure water through the system for at least 1-2 minutes, this will help clean the snow fluid residue and extend the lifespan on the pump and the machine.
- It is recommended to run the machine at least once a month in order to maintain its best performance and output condition.
- Excessive dust and build up liquid residue will reduce the performance and cause overheat.

18. Technical Specifications

S-600	
Rated Voltage	US Model: AC 100-120V, 50/60Hz 10.0A EU Model: AC 220-240V, 50/60Hz 5.0A
Rated Power	1200W
Fluid Consumption	400 ml/min (100% output)
Fluid Tank Capacity	N/A
Compatible Fluid	Antari SL-N Snow & Foam Fluid (New Formula) 、 Antari SL-AN Premium Snow Fluid (New Formula) 、 Antari SL-H Super Dry Snow Fluid 、 Antari SL-C Anti-Freezing Snow Fluid 、 Antari SL-UV UV Snow Fluid
Ambient Temp. Range	5°C – 40°C (41°F – 104°F)
Control Methods	Manual 、 Timer 、 DMX512 、 Wireless 、 W-DMX (Optional) 、 Cable Remote (Optional)
Interface	XLR 5-Pin Connector (DMX) 、 XLR 4-Pin Connector (Remote) 、 Neutrik powerCON (Power)
DMX Channels	3 Channel
Included Accessories	WTR-20 Wireless Remote 、 5M Fluid Tube with Filter 、 Hanging Bracket
Optional Accessories	TIMO-WTR-90 W-DMX Add-on Module 、 SC-4 Cable Remote 、 S-600-BH Bottle Holder (w/o bottle) 、 S-600-TKC 20 Liter Tank Cap assembly w/5M Fluid Tube
Dimension	L 462 W 596 H 630 mm (L 18.19 W 23.47 H 24.81 inch)
Weight	24.0 kg (52.90 lbs.)

19. Warranty Disclaimer

We guarantee the merchandise manufactured by us to be free from defect in material and workmanship for a period of one year. Our obligation and liability under this warranty shall be restricted to repair or replacement at our factory or local authorized dealer. We assume no liability of the products that are improperly used or used for any purpose other than that for which they are specially designed. This warranty shall not apply to any merchandise which has been repaired, altered or assembled outside our factory in any way so as in our judgment to affect its performance, nor which has been subjected to misuse, negligence, or accident nor to any merchandise operated contrary to our printed instructions. We will not allow or be liable of any loss or any damages of any kind in connection with the use, sale, or repair of any merchandise purchased from us.

20. Machine Dimension

