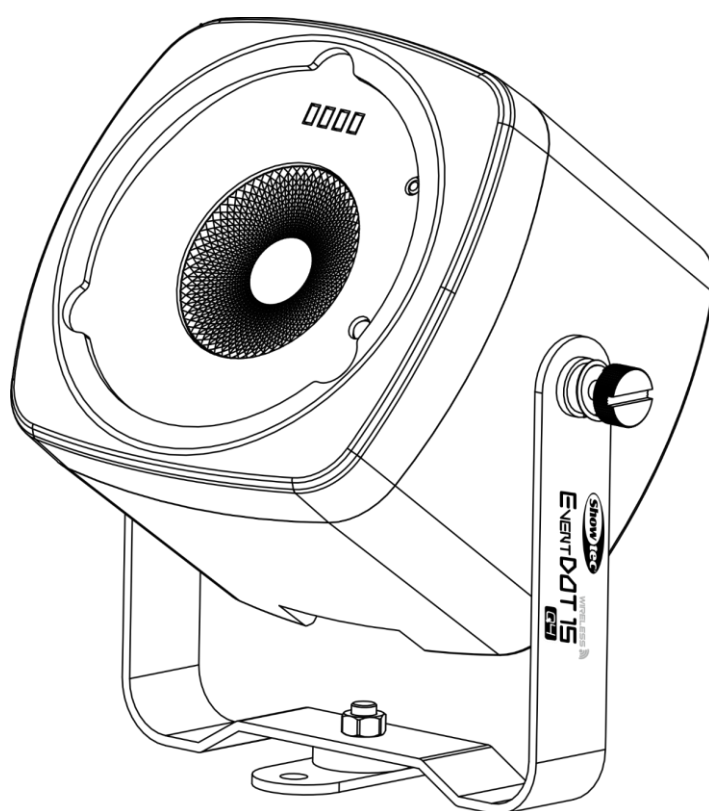




USER MANUAL



ENGLISH

EventDOT 15 Q4

V1

Product code: 44011

Preface

Thank you for purchasing this Showtec product.

The purpose of this user manual is to provide instructions for the correct and safe use of this product.

Keep the user manual for future reference as it is an integral part of the product. The user manual shall be stored at an easily accessible location.

This user manual contains information concerning:

- Safety instructions
- Intended and non-intended use of the device
- Installation and operation of the device
- Maintenance procedures
- Troubleshooting
- Transport, storage and disposal of the device

Non-observance of the instructions in this user manual may result in serious injuries and damage of property.

©2021 Showtec. All rights reserved.

No part of this document may be copied, published or otherwise reproduced without the prior written consent of Highlite International.

Design and product specifications are subject to change without prior notice.

For the latest version of this document or for other language versions, please visit our website www.highlite.com or contact us at service@highlite.com.

Highlite International and its authorized service providers are not liable for any injury, damage, direct or indirect loss, consequential or economic loss or any other loss arising from the use of, or inability to use or reliance on the information contained in this document.

Table of contents

1. Introduction	4
1.1. Before Using the Product	4
1.2. Intended Use	4
1.3. Product Lifespan	4
1.4. LEDs Lifespan	4
1.5. Text Conventions	4
1.6. Symbols and Signal Words	5
1.7. Symbols on the Information Label	5
2. Safety	6
2.1. Warnings and Safety Instructions	6
2.2. Requirements for the User	8
3. Description of the Device	9
3.1. Front View	9
3.2. Top View	9
3.3. Back View	9
3.4. Product Specifications	10
3.5. Dimensions	11
4. Installation	12
4.1. Safety Instructions for Installation	12
4.2. Personal Protective Equipment	12
4.3. Installation Site Requirements	12
4.4. Mounting Options	12
4.5. Diffuser Installation	14
4.6. Charging the Battery	15
5. Setup	16
5.1. Stand-alone Setup	16
5.2. Wi-Fi Connection	16
5.2.1. Wi-Fi Connection of a Single Device	16
5.2.2. Wi-Fi Connection of Multiple Devices	16
5.2.3. Wi-Fi LED Indicator Statuses	17
5.3. Supported Control Protocols	17
5.3.1. DMX Addressing	17
5.3.2. Universe Numbering	18
6. Operation	19
6.1. Safety Instructions for Operation	19
6.2. Turning On/Off	19
6.3. Hotspot Mode	19
6.4. Factory Reset	19
6.5. Control Modes	20
6.6. Manual Control	20
6.6.1. Functions of the Manual Control Button	20
6.6.1.1. Switching on the Device	20
6.6.1.2. Switching off the Device	20
6.6.1.3. Battery Status Check	21
6.6.1.4. Navigation	21
6.6.1.5. Switching between Operation Modes	21
6.6.2. Operation Modes	21
6.6.2.1. Auto Mode	21
6.6.2.2. Built-in Programs	22
6.6.2.3. Static Colors	22
6.6.2.4. Dimming Mode	22
6.6.2.5. DMX Mode	22
6.7. Remote Control	23

6.7.1.	Functions of the Remote Control Buttons	24
6.7.2.	Operation Modes	24
6.7.2.1.	Auto Mode	25
6.7.2.2.	Built-in Programs	25
6.7.2.3.	Static Colors	25
6.7.2.4.	Dimming Mode	25
6.8.	Control via the Web Interface	26
6.8.1.	Wi-Fi Setup	26
6.8.2.	Setup Devices	27
6.8.2.1.	Auto Mode	27
6.8.2.2.	Built-in Programs	28
6.8.2.3.	Static Colors	29
6.8.2.4.	Dimming Mode	29
6.8.2.5.	DMX Mode	30
6.8.3.	Art-Net Configuration	31
6.8.4.	sACN Configuration	31
6.9.	Control via the Mobile App	32
6.9.1.	Description of the App Interface	32
6.9.2.	Setup Devices	33
6.9.2.1.	Auto Mode	34
6.9.2.2.	Built-in Programs	34
6.9.2.3.	Static Colors	35
6.9.2.4.	Dimming Mode	35
6.9.2.5.	DMX Mode	35
6.9.3.	Wi-Fi Setup	36
6.9.4.	Custom Colors	36
6.10.	DMX Channels	38
6.10.1.	DMX Channels Overview	38
6.10.2.	1 Channel, 2 Channels	38
6.10.3.	4 Channels, 5 Channels, 6 Channels, 9 channels	39
7.	Troubleshooting	40
8.	Maintenance	41
8.1.	Preventive Maintenance	41
8.1.1.	Basic Cleaning Instructions	41
8.2.	Corrective Maintenance	41
9.	Deinstallation, Transportation and Storage	41
9.1.	Instructions for Deinstallation	41
9.2.	Instructions for Transportation	42
9.3.	Storage	42
10.	Disposal	42
11.	Approval	42

1. Introduction

1.1. Before Using the Product



Important
Read and follow the instructions in this user manual before installing, operating or servicing this product.

The manufacturer will not accept liability for any resulting damages caused by the non-observance of this manual.

After unpacking, check the contents of the box. If any parts are missing or damaged, contact your Highlite International dealer.

Your shipment includes:

- Showtec EventDOT 15 Q4
- AC power adapter
- 15° diffuser
- 30° diffuser
- Dome diffuser
- User manual

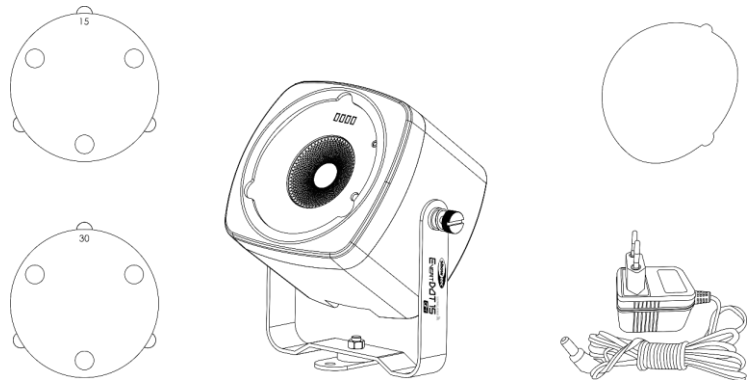


Fig. 01

1.2. Intended Use

This device is designed to be used as a professional light effect suitable for stage lighting, corporate and private events. This device is not suitable for households and for general lighting.

Any other use, not mentioned under intended use, is regarded as non-intended and incorrect use.

1.3. Product Lifespan

This device is not designed for permanent operation. Do not switch on and off the device in short intervals. This will reduce the wear and will improve the device's lifespan.

1.4. LEDs Lifespan

The light output of the LEDs gradually decreases over time (lumen depreciation). High operating temperatures contribute to this process. You can extend the lifespan of the LEDs by providing adequate ventilation and operating the LEDs at the lowest possible brightness.

1.5. Text Conventions

Throughout the user manual the following text conventions are used:

- Buttons: All buttons and interface sliders and fields are in bold lettering, for example "Slide the **Strobe** slider", "Enter the DMX starting address in the **Address** field"
- References: References to chapters and parts of the device are in bold lettering, for example: "Refer to **2. Safety**", "set **the power switch (14)** to on position"
- 0–255: Defines a range of values
- Notes: **Note:** (in bold lettering) is followed by useful information or tips

1.6. Symbols and Signal Words

Safety notes and warnings are indicated throughout the user manual by safety signs.

Always follow the instructions provided in this user manual.



DANGER

Indicates an imminently hazardous situation which, if not avoided, will result in death or serious injury.



WARNING

Indicates a potentially hazardous situation which, if not avoided, could result in death or serious injury.



CAUTION

Indicates a potentially hazardous situation, which, if not avoided, may result in minor or moderate injury.



Attention

Indicates important information for the correct operation and use of the product.



Important

Read and observe the instructions in this document.



Electrical hazard



Provides important information about the disposal of this product.

1.7. Symbols on the Information Label

This product is provided with an information label. The information label is located on the backside of the device.

The information label contains the following symbols:



This device shall not be treated as household waste.



Replace any cracked protective shield.



Read the user manual supplied with the device.



This device contains a battery.

2. Safety



Important

Read and follow the instructions in this user manual before installing, operating or servicing this product.

The manufacturer will not accept liability for any resulting damages caused by the non-observance of this manual.

2.1. Warnings and Safety Instructions



DANGER

Danger for children

For adult use only. The device must be installed beyond the reach of children.

- Do not leave various parts of the packaging (plastic bags, polystyrene foam, nails, etc.) within children's reach. Packaging material is a potential source of danger for children.



DANGER

Risk of explosion caused by incorrect handling

This device contains a built-in rechargeable lithium-ion battery. The battery is not replaceable. The battery may explode or cause burns if it is crushed, disassembled or exposed to fire or high temperatures.

- Do not open the device and do not attempt to remove the built-in battery.
- Do not disassemble the battery.
- Do not crush or puncture the battery.
- Do not short-circuit the battery.
- Do not expose the battery to water or other liquids.
- Keep the battery away from fire and heat.



DANGER

Electric shock caused by short-circuit

This device is delivered with an AC power adapter. Incorrect handling of the AC power adapter may result in hazardous situations.

- Use only the AC power adapter delivered with the device.
- Do not wrap the power cable around the power adapter or any other object. This can damage the internal wires.
- Do not cover the power adapter with anything when it is plugged into the socket-outlet. This may cause overheating.
- Do not expose the power adapter to water or other liquids.

Do not use the power adapter:

- If it shows signs of overheating, for example the plastic is damaged
- If the AC input pins show signs of corrosion or overheating
- If the power cable is damaged or shows signs of material fatigue



WARNING
Risk of epileptic shock

Strobe lighting can trigger seizures in photosensitive epilepsy. Sensitive persons should avoid looking at strobe lights.



Attention
Power supply

Before connecting the AC power adapter to the power supply, make sure that the current, voltage and frequency match the input voltage, current and frequency specified on the information label on the AC power adapter.



Attention
General safety

- Do not switch the device on and off in short intervals. This decreases the device's life.
- Do not shake the device. Avoid brute force when installing or operating the device.
- Change the lens or the LEDs if they are visibly damaged to such an extent that their effectiveness is impaired, for example by cracks or deep scratches. Contact your Highlite International dealer for more information, as servicing can be performed only by instructed or skilled persons.
- If the device is exposed to extreme temperature variations (e.g. after transportation), do not switch it on immediately. Let the device reach room temperature before switching it on, otherwise it may be damaged by the formed condensation.
- If the device fails to work properly, discontinue the use immediately.



Attention
This device shall be used only for the purposes it is designed for.

This device is designed to be used as a professional light effect suitable for stage lighting, corporate and private events. Any incorrect use may lead to hazardous situations and result in injuries and material damage.

- This device is not suitable for households and for general lighting.
- This device does not contain user-serviceable parts. Unauthorized modifications to the device will render the warranty void. Such modifications may result in injuries and material damage.



Attention
Before each use, examine the device visually for any defects.

Make sure that:

- All screws used for installing the device or parts of the device are tightly fastened and are not corroded.
- There are no deformations on housings, fixations and installation points.
- The lens is not cracked or damaged.

**Attention****Do not expose the device to conditions that exceed the rated IP class conditions.**

The front part of the device with the lens is IP54 rated. The back part of the device with the magnet is IP20 rated. IP (Ingress Protection) 54 class provides protection against dust and water splashes. IP (Ingress Protection) 20 class provides protection against solid objects greater than 12 mm, such as fingers, and no protection against harmful ingress of water.

2.2. Requirements for the User

This product may be used by ordinary persons. Maintenance and installation may be carried by ordinary persons. Service shall be carried out only by instructed or skilled persons. Contact your Highlite International dealer for more information.

Instructed persons have been instructed and trained by a skilled person, or are supervised by a skilled person, for specific tasks and work activities associated with the installation, service and maintenance of this product, so that they can identify risks and take precautions to avoid them.

Skilled persons have training or experience, which enables them to recognize risks and to avoid hazards associated with the installation, service and maintenance of this product.

Ordinary persons are all persons other than instructed persons and skilled persons. Ordinary persons include not only users of the product but also any other persons that may have access to the device or who may be in the vicinity of the device.

3. Description of the Device

The Showtec EventDOT 15 Q4 is a compact battery-powered LED spot. It can be used for stage lighting and it is suitable for corporate and private events. The EventDOT 15 Q4 can be controlled manually, via Wi-Fi and via a remote control.

3.1. Front View

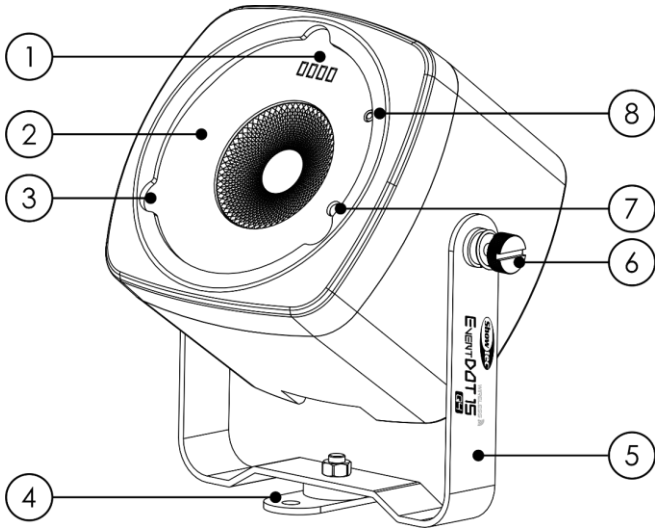


Fig. 02

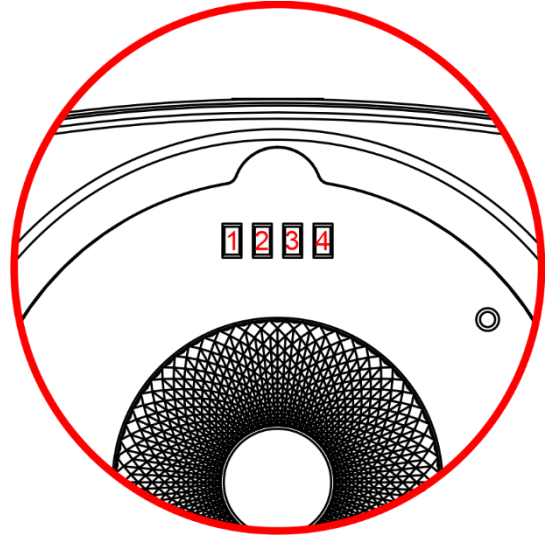


Fig. 03

- 01) Battery indicator LEDs (See Fig. 03 for the numbering of the LEDs)
- 02) Lens
- 03) 3 cut-outs for diffuser installation
- 04) Mounting support

- 05) Mounting bracket
- 06) 2 adjustment screws
- 07) Infrared port
- 08) Wi-Fi LED indicator

3.2. Top View

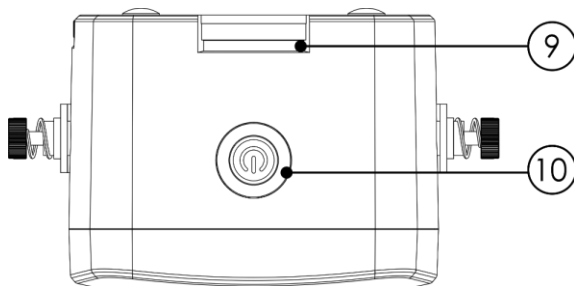


Fig. 04

- 09) Slot for Velcro
- 10) Manual control button

3.3. Back View

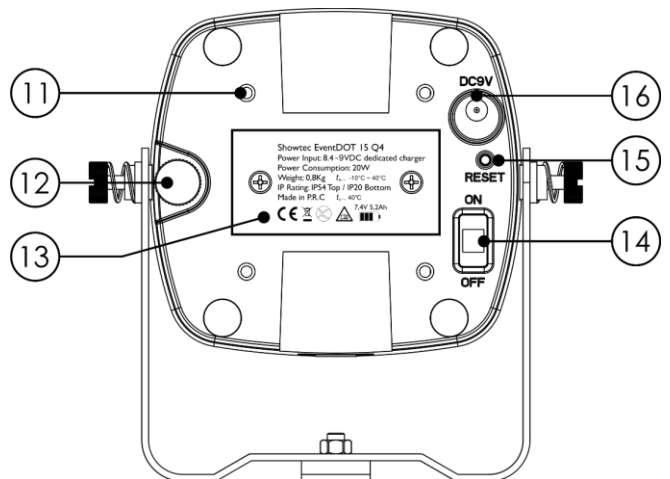


Fig. 05

- 11) 4 threaded openings, M3
- 12) Tilt adjustment screw
- 13) Magnet
- 14) Power switch ON/OFF
- 15) Reset button
- 16) DC connector, 8,4-9 V DC

3.4. Product Specifications

Model:	EventDOT 15 Q4
Electrical:	
Input voltage:	8,4–9 V DC
Power consumption:	20 W
Physical:	
Dimensions:	143 x 101 x 81 mm (L x W x H)
Weight:	0,8 kg (with mounting bracket, without accessories)
Optics:	
Light source:	15 W RGBW LED
Luminous flux:	118 lm
CCT:	6500 K
CRI:	70
Refresh rate:	1000 Hz
Dimmer:	0–100 %
Strobe:	0–20 Hz
Beam angle:	8° (15°, 30° and dome diffusers included)
Operation and control:	
Control:	Manual, IR remote, wireless
Control protocols:	DMX over Art-Net/sACN
DMX channels:	1, 2, 4, 5, 6, 9
Display:	No
Wireless module:	2,4 GHz
AC power adapter:	
Input voltage:	100–240 V AC, 50/60 Hz
Input current:	0,3 A
Output voltage:	8,5 V DC
Output current:	2 A
Battery:	
Type:	Sealed lithium-ion battery
Capacity:	5200 mA·h
Voltage:	7,4 V
Watt-hour rating:	38,48 W·h
Runtime:	6 hours (all colors) / 16 hours (single color)
Charge time:	4,5 hours
Battery lifetime:	400 discharge cycles (battery runtime drops at 70 %)
Construction:	
Housing:	Flame retardant plastic, iron plate
Color:	Black
IP rating:	Front (top) – IP54; back (bottom) – IP20
Cooling:	Convection
Thermal:	
Ambient temperature t_a :	From -10 °C to 40 °C
Maximum housing temperature t_c :	40 °C
Minimum distance:	
Minimum distance to lighted object:	0,5 m

3.5. Dimensions

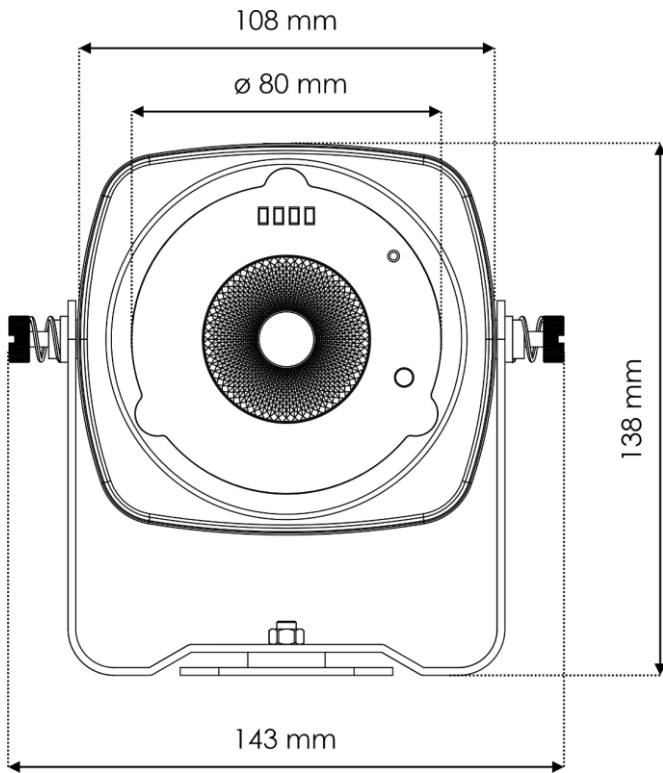


Fig. 06

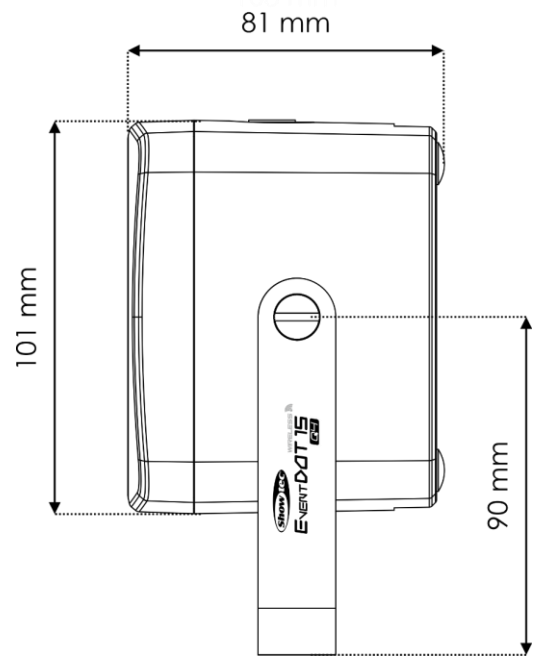


Fig. 07

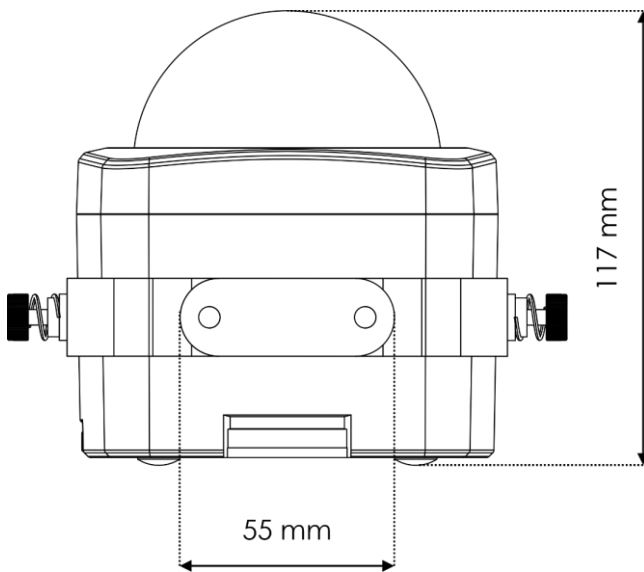


Fig. 08

4. Installation

4.1. Safety Instructions for Installation



WARNING

Incorrect installation can cause serious injuries and damage of property.

If trussing systems are used, installation must be carried out only by instructed or skilled persons.

Follow all applicable European, national and local safety regulations concerning rigging and trussing.

4.2. Personal Protective Equipment

During installation and rigging wear personal protective equipment in compliance with the national and site-specific regulations.

4.3. Installation Site Requirements

It is recommended that the device is used indoors. The device can be used outdoors only if the device is positioned horizontally and the device is not exposed to conditions that exceed the rated IP class conditions. The front part of the device with the lens is IP54 rated and is protected against dust and water splashes. The back part of the device with the magnet is IP20 rated and is not protected against harmful ingress of water.

- The device must be installed away from heating sources and direct sunlight.
- The maximum ambient temperature $t_a = 40\text{ °C}$ must never be exceeded.
- The relative humidity must not exceed 50 % with an ambient temperature of 40 °C .

Note:

It is recommended to charge the device at an ambient temperature between 0 °C and 35 °C .

4.4. Mounting Options

The device can be positioned on a flat surface or mounted to a truss or other rigging structure in any orientation. Make sure that all loads are within the pre-determined limits of the supporting structure.

If the device is mounted overhead, it should always be secured with a safety cable or another secondary suspension.



WARNING

Do not mount the device only by the magnet above people's heads.

The secondary suspension can be attached on the **mounting bracket (05)** or through the **slot for Velcro (09)**. The device is equipped with 4 **threaded openings (11)** for M3 screws where you can attach a safety eye for the secondary suspension.

The different mounting options are as follows:

Option 1: upright installation

- 01) Swivel the **mounting support (04)** at 90°.
- 02) Place the device on a flat surface, as shown in Fig. 09.
- 03) Adjust the angle of the device with the 2 **adjustment screws (06)**. Make sure that the device cannot move freely after the **adjustment screws (06)** are tightened.

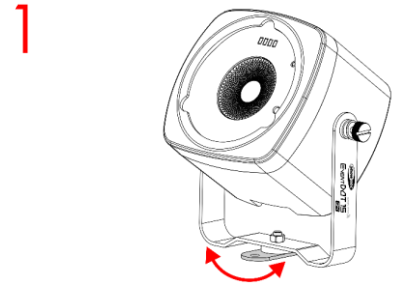


Fig. 09

Option 2: installation on flat surface without mounting bracket

- 01) Remove the **mounting bracket (05)** from the device.
- 02) Place the device on flat surface, as shown in Fig. 10.
- 03) Adjust the angle of the device with the **tilt adjustment screw (12)**.

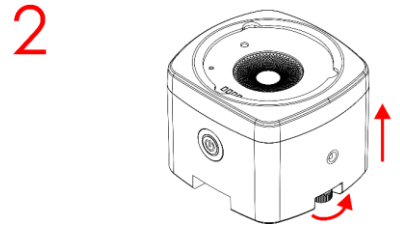


Fig. 10

Option 3: installation on a rigging structure with a clamp

- 01) Remove the **mounting support (04)** from the **mounting bracket (05)**.
- 02) Use a clamp to attach the device to the supporting structure, as shown in Fig. 11.
- 03) Secure the device with a secondary suspension, for example a safety cable. Make sure that the secondary suspension can hold 10 times the weight of the device. Put the safety cable around the **mounting bracket (05)**.
- 04) Adjust the angle of the device with the 2 **adjustment screws (06)**. Make sure that the device cannot move freely after the **adjustment screws (06)** are tightened.

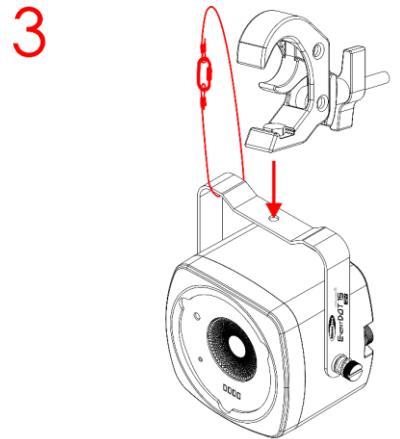


Fig. 11

Option 4: installation with the magnet on a metal surface

- 01) Remove the **mounting bracket (05)** from the device.
- 02) Attach the device to a flat metal surface, as shown in Fig. 12. The built-in **magnet (13)** will hold the device into position.

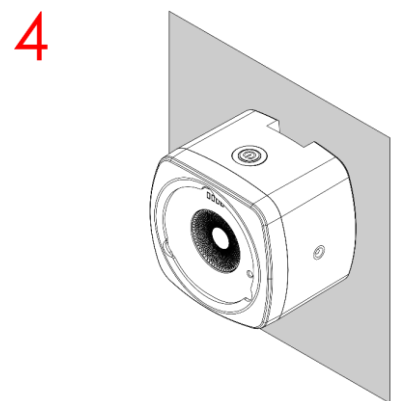


Fig. 12

Note:

If the device is mounted overhead, it should always be secured with a safety cable or another secondary suspension.

Do not mount the device only with the magnet.

Option 5: installation with a Velcro fastener

- 01) Remove the **mounting bracket (05)** from the device.
- 02) Use a Velcro snap fastener to attach the device to the supporting structure, as shown in Fig. 13. Put the Velcro snap fastener through the **slot for Velcro (09)**.

Note:

The Velcro snap fastener (product code: **D9581B**) is not included in the delivery. You can purchase it with any Highlite International dealer.



Fig. 13

Option 6: installation with a powerbox clamp

- 01) Remove the **mounting bracket (05)** from the device.
- 02) Use the special powerbox clamp to attach the device to the supporting structure, as shown in Fig. 14.

Note:

The powerbox clamp (product code: **90659**) is not included in the delivery. You can purchase it with any Highlite International dealer.

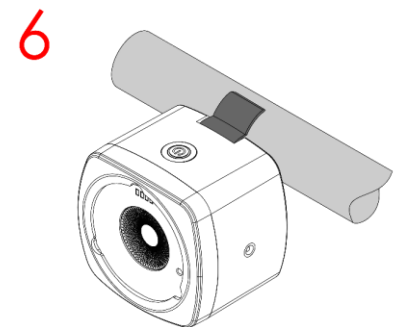


Fig. 14

4.5. Diffuser Installation

The EventDOT 15 Q4 is delivered with 3 diffusers: 15°, 30°, and a dome diffuser.

To install the diffuser, follow the steps bellow:

- 01) Place the diffuser above the **lens (02)**, so that the 3 wings of the diffuser will fit into the **3 cut-outs for diffuser installation (03)** on the device, as shown in Fig. 15.
- 02) Push and turn the diffuser clockwise to secure it in its place, as shown in Fig. 16.

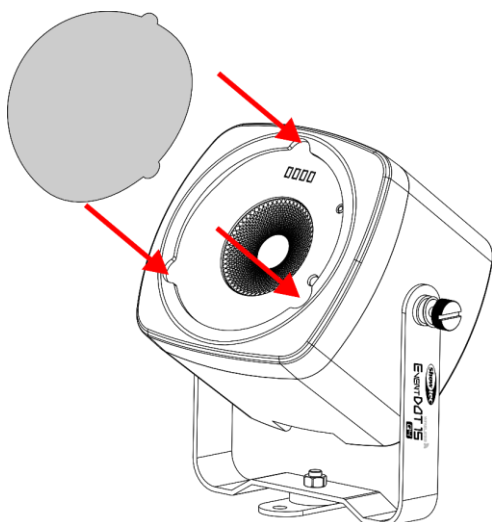


Fig. 15

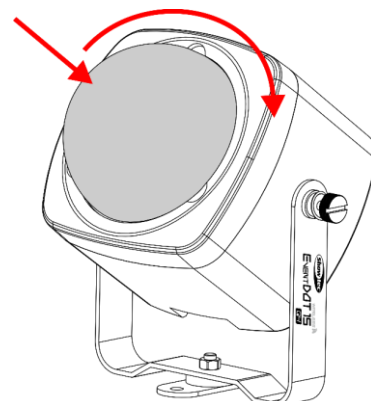


Fig. 16

4.6. Charging the Battery



DANGER
Risk of explosion caused by incorrect handling

This device contains a built-in rechargeable lithium-ion battery. The battery is not replaceable. The battery may explode or cause burns if it is crushed, disassembled or exposed to fire or high temperatures.

- Do not open the device and do not attempt to remove the built-in battery.

This device is delivered with an AC power adapter that is used to charge the battery. Before connecting the AC power adapter to the socket-outlet, make sure that the power supply matches the input voltage specified on the information label on the AC power adapter.

To charge the battery follow the steps bellow:

- 01) Turn on the device from the **power switch (14)**.
- 02) Connect the AC power adapter to the device. Use only the AC power adapter delivered with the device.
- 03) Connect the AC power adapter to the socket-outlet.

During charging the **battery indicator LEDs (01)** are blinking. When charging is completed, all 4 **battery indicator LEDs (01)** will light up.

- Charge the battery before using the device for the first time.
- Do not deep discharge the battery as this will shorten the battery's lifetime. Recharge the battery as early as possible. Do not let the light run until the battery is depleted.
- Make sure that the battery is charged to at least 50 % before storing the device.

It is recommended to charge the device at an ambient temperature between 0 °C and 35 °C.

If the device is charged in a carrying case, leave the case open.

Refer to **3.4. Product Specifications** on page 10 for the charge time of the battery.

5. Setup

5.1. Stand-alone Setup

When the EventDOT 15 Q4 is not connected to a controller or to other devices, it functions as a stand-alone device. It can be operated manually or with an infrared (IR) remote control.

For more information about the control modes, refer to **6.5. Control Modes** on page 20.

5.2. Wi-Fi Connection

The EventDOT 15 Q4 can be connected to a computer, laptop, tablet or smartphone with a wireless module.

5.2.1. Wi-Fi Connection of a Single Device

To connect a single device to a computer or a smartphone, follow the steps below:

- 01) Turn on the device from the **power switch (14)**. The device will enter into hotspot mode. See **6.3. Hotspot Mode** on page 19 for more information.
- 02) Turn on the Wi-Fi on your computer or smartphone.
- 03) Open the list with available Wi-Fi networks on your computer or smartphone.
- 04) Select "EventDot#XXX" from the list. "XXX" in the name stands for the universe number.
- 05) Connect to "EventDot#XXX". The password is "eventdot".

Note:

If you do not see the device on the list with available networks, you need to reset the device to its factory settings. Refer to **6.4. Factory Reset** on page 19 for more information.

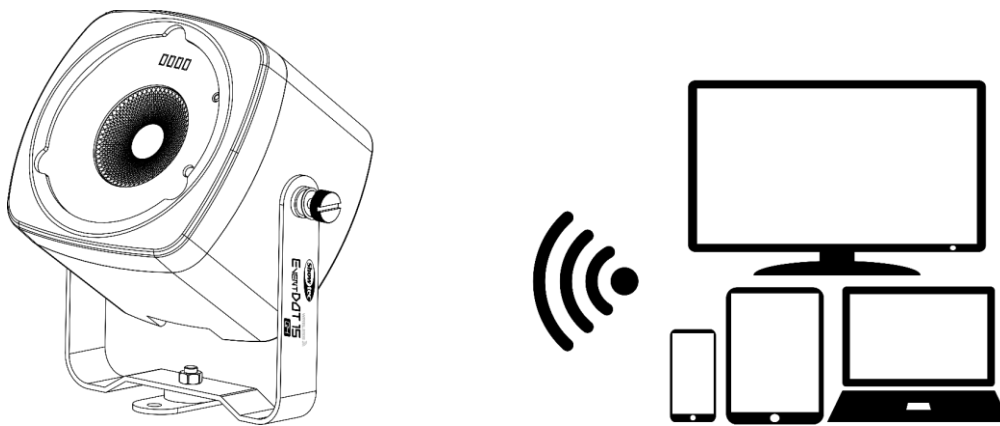


Fig. 17

5.2.2. Wi-Fi Connection of Multiple Devices

To connect multiple devices to a computer or a smartphone, you will need a router. Follow the steps below:

- 01) Do not turn on all devices at the same time.
- 02) Connect the first device to your computer or smartphone. See **5.2.1. Wi-Fi Connection of One Device** on page 16 for more information.
- 03) Configure the device and connect it to the router.
 - Refer to **6.8.1. Wi-Fi Setup** on page 26, if you configure the device via the web interface.
 - Refer to **6.9.3. Wi-Fi Setup** on page 36, if you configure the device via the mobile app on your smartphone.

- 04) Turn off the first device from the **power switch (14)**.
- 05) Connect the second device to your computer or smartphone.
- 06) Repeat steps 2–4 to connect and configure the rest of the devices.

Note:

The number of devices, that you can connect and control at the same time via Wi-Fi, depends on the bandwidth of the router and on the total number of all connected devices.

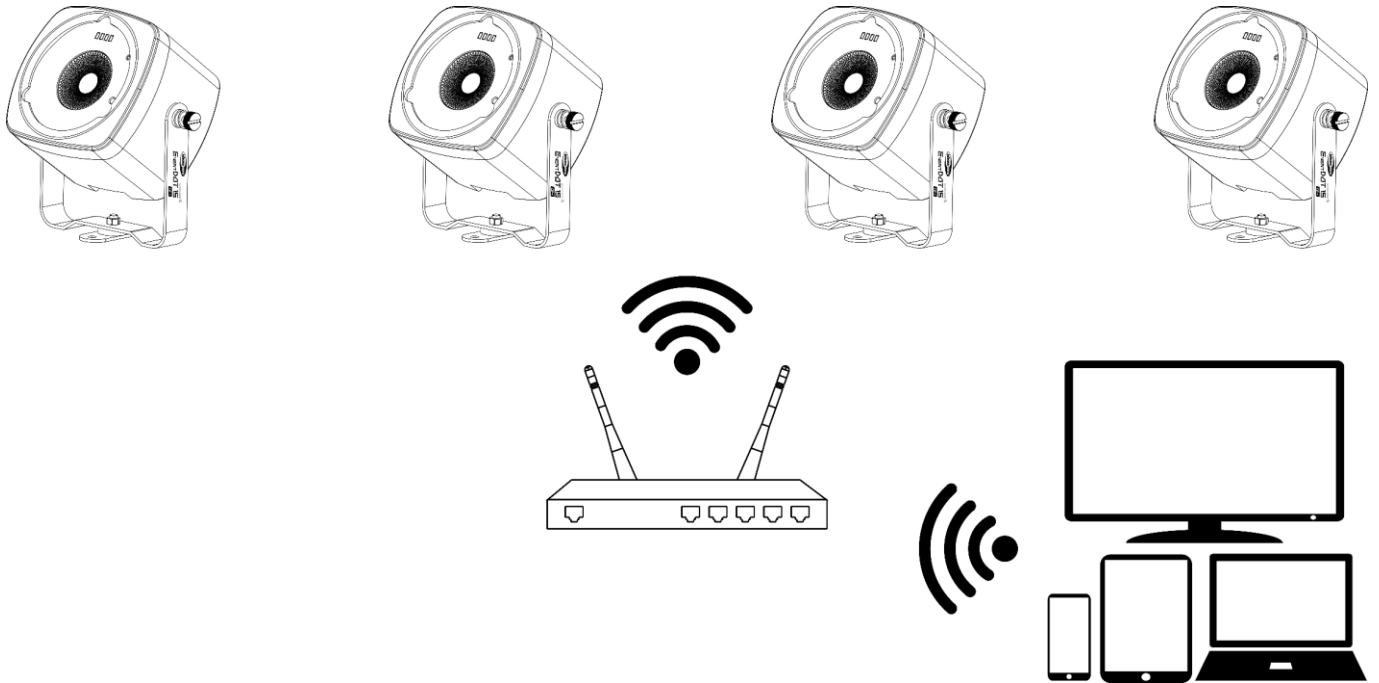


Fig. 18

5.2.3. Wi-Fi LED Indicator Statuses

The **Wi-Fi LED indicator (08)** has the following statuses:

- Always on: good Wi-Fi signal
- Flashing (100 ms): poor Wi-Fi signal
- Flashing (200 ms): connecting to router
- Flashing (500 ms): initiating Wi-Fi signal
- Off: no signal or in hotspot mode (see **6.3. Hotspot Mode** on page 19)

5.3. Supported Control Protocols

The EventDOT 15 Q4 supports DMX via Art-Net and sACN.

Art-Net is a protocol that uses TCP/IP to transfer large amount of DMX-512 data over an Ethernet network. Art-Net 4 can support up to 32768 universes. Art-Net™ Designed by and Copyright Artistic Licence Holdings Ltd.

sACN (streaming Architecture for Control Networks), also known as ANSI E1.31, is a protocol for sending DMX-512 data over IP networks developed by ESTA (Entertainment Services and Technology Association). It supports up to 63999 universes and uses multicasting.

5.3.1. DMX Addressing

In a setup with multiple devices, make sure that you set the DMX starting address of each device correctly. The EventDOT 15 Q4 has 6 personalities: 1, 2, 4, 5, 6, and 9 channels.

If you want to connect multiple devices on one data link and use them in 9-channel mode, for example, follow the steps below:

- 01) Set the starting address of the 1st device on the data link to 1.
- 02) Set the starting address of the 2nd device on the data link to 10, as $1 + 9 = 10$.
- 03) Set the starting address of the 3rd device on the data link to 19 as $10 + 9 = 19$.
- 04) Continue assigning the starting addresses of the remaining devices by adding each time 9 to the previous number.

Make sure that you do not have any overlapping channels in order to control each EventDOT 15 Q4 correctly. If two or more devices are addressed similarly, they will work similarly.

5.3.2. Universe Numbering

The number of devices that you can control on one data link is limited by the combined number of the DMX channels of the connected devices and the 512 channels available in one DMX universe.

After the limit of 512 channels is reached, the next device should be set to a universe with a higher number.

There are 512 channels (1–512) in one universe. 16 consecutive universes (0–15) make up one sub-net. 16 sub-nets (0–15) make up one net. There are in total 128 nets (0–127).

Note:

- In Art-Net, universes are called Port Address and number from 0 to 32767. There are 32768 unique numbers.
- In sACN, universes number from 1 to 63999. There are 64000 unique numbers. The values of 0 and 64000 to 65535 are reserved for future expansion according to the standard.

15-bit Port Address	Net (0–127)	Sub-net (0–15)	Universe (0–15)
0	0	0	0
1	0	0	1
2	0	0	2
...
31	0	1	15
32	0	2	0
33	0	2	1
...
126	0	7	14
127	0	7	15
128	0	8	0
...
255	0	15	15
256	1	0	0
257	1	0	1
...
32766	127	15	14
32767	127	15	15

Note:

If you are using an Art-Net controller that supports Art-Net I or Art-Net II, the Art-Net net must be set to 0. The net number is available in Art-Net 3 and higher versions of the Art-Net protocol.

6. Operation

6.1. Safety Instructions for Operation



Attention

This device must be used only for the purposes it is designed for.

This device is designed to be used as a professional light effect suitable for stage lighting, corporate and private events. This device is not suitable for households and for general lighting.

Any other use, not mentioned under intended use, is regarded as non-intended and incorrect use.

6.2. Turning On/Off

The device has a power switch.

- Set the **power switch (14)** to ON position to turn on the device.
- Set the **power switch (14)** to OFF position to turn off the device.

Make sure that the device is turned off from the **power switch (14)** when the device is not in use. This will prevent the battery from depletion.

It is recommended to reset the device to its factory settings after each setup or use. Refer to **6.4. Factory Reset** on page 19 for more information. When you turn off the device, the next time you turn it on, it will continue to operate in the previously selected operation mode.

6.3. Hotspot Mode

When you start the device for the first time, it enters by default in hotspot mode. When the device is in hotspot mode you can establish a Wi-Fi connection with a computer, laptop, tablet or smartphone. The IP address of the device in hotspot mode is 192.168.4.1.

To activate hotspot mode, you need to reset the device to the factory settings. See **6.4. Factory Reset** on page 19 for more information.

In hotspot mode the **Wi-Fi LED indicator (08)** is off.

6.4. Factory Reset

It is recommended to reset the device to its factory settings after each setup or use. If you do not reset the device, the next time you turn it on, it will continue operating in the last selected operation mode. After factory reset, when you turn on the device, it will enter into hotspot mode.

If the device is turned off, to reset the device follow the steps below:

- 01) Set the **power switch (14)** to ON position to turn on the device.
- 02) Press and hold down the **reset button (15)** together with the **manual control button (10)** for 5 seconds. To access the **reset button (15)**, use a pin or a thin screwdriver.

If the device is switched on in manual control mode (see **6.6.1.1. Switching on the Device** on page 20), to reset the device follow the steps below:

- 01) Press and hold down the **reset button (15)** for 5 seconds. To access the **reset button (15)**, use a pin or a thin screwdriver.

6.5. Control Modes

The EventDOT 15 Q4 can be controlled manually, via infrared (IR) remote control, and via Wi-Fi. The table below shows the different control options and the available features for each control mode.

	Manual	IR Remote	Wi-Fi		
			Web interface	Mobile App	DMX via Art-Net (sACN)
Number of devices	1	> 1	1	> 1	> 1
Auto mode	Yes	Yes	Yes	Yes	No
Built-in programs	Yes	Yes	Yes	Yes	Yes
Static colors	Yes (15)	Yes (15)	Yes (15)	Yes (15)	Yes (33)
Custom colors (Dimming mode)	No	Yes	Yes	Yes	Yes
Custom chases	No	No	No	Yes	Yes
Strobe	No	Yes	Yes	Yes	Yes
Speed	No	Yes	Yes	Yes	Yes
Configuration	No	No	Yes	Yes (limited)	No

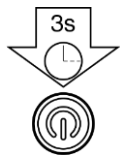
6.6. Manual Control

The device can be controlled via the **manual control button (10)**.

6.6.1. Functions of the Manual Control Button

The **manual control button (10)** has the following functions:

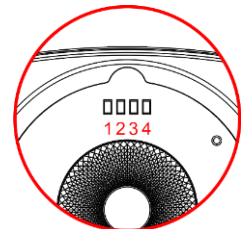
6.6.1.1. Switching on the Device



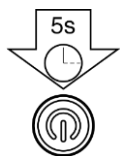
Press and hold down the button for 3 seconds to switch on the device. The **battery indicator LEDs (01)** will light up in this sequence: LED 4, LED 3, LED 2, LED 1.

Release the button after all 4 **battery indicator LEDs (01)** are on.

Note: If you release the button before all 4 LEDs are on, the device will remain switched off.



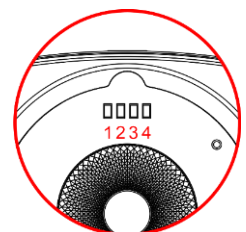
6.6.1.2. Switching off the Device



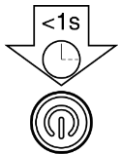
Press and hold down the button for 5 seconds to switch off the device. The **battery indicator LEDs (01)** will light up in this sequence: LED 1, LED 2, LED 3, LED 4.

Release the button after all 4 **battery indicator LEDs (01)** are on.

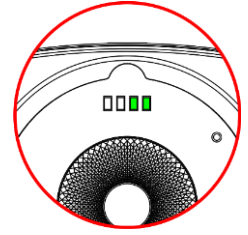
Note: If you release the button before all 4 LEDs are on, the device will remain switched on.



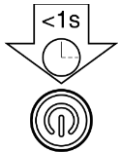
6.6.1.3. Battery Status Check



If the device is not running, press the button and release it within 1 second to see the battery status. If all 4 **battery indicator LEDs (01)** are on – the battery is fully charged. If only LED 1 and LED 2 are on – the battery is charged to 50 %.

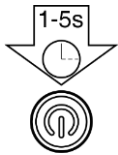


6.6.1.4. Navigation



If the device is running, press the button and release it within 1 second to go to the options in the respective operation mode.

6.6.1.5. Switching between Operation Modes

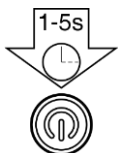


If the device is running, press and hold down the button for more than 1 second and release it within 5 seconds to switch to the next operation mode. See **6.6.2. Operation Modes** on pages 21–22 for more information.

6.6.2. Operation Modes

When you control the device manually, the operation modes run in the following sequence:

1. Auto mode
2. Built-in programs
3. Static colors
4. Dimming mode
5. DMX mode



Press and hold down the **manual control button (10)** for more than 1 second and release it within 5 seconds to switch to the next operation mode.

Notes:

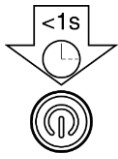
- When you turn off the device, the next time you turn it on, it will continue to operate in the previously selected operation mode. For example, if you play one of the built-in programs, the next time you turn on the device, it will start playing the last selected built-in program.
- In manual control mode you cannot control the speed of the built-in programs or add strobe effect. You can do this with the remote control, via the web interface or via the mobile app.

6.6.2.1. Auto Mode

In this operation mode the device plays the built-in programs continuously. See **6.6.2.2. Built-in Programs** on page 22 for the sequence of the built-in programs.

6.6.2.2. Built-in Programs

In this operation mode the device plays the selected built-in program.



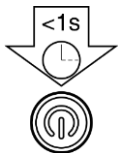
Press the **manual control button (10)** and release it within 1 second to go to the next built-in program.

There are 15 built-in programs available: 8 color jump programs and 7 color fade programs. The sequence of the built-in programs is as follows:

- R / G / B / W / Y / C / M / W – Jump
- Red / Magenta / White – Jump
- Green / Magenta – Jump
- R / W / R / B – Jump
- Blue / White Flash / Red / White Flash – Jump
- Magenta / White / Green / White – Jump
- Cyan / Amber – Jump
- Blue / White – Jump
- Rainbow – Fade
- R / G / C / B / M / W – Fade
- R / W / G / W / B / W – Fade
- R / W / G / W / B / W – Slow Fade
- Red / Green / Blue – Fade
- Green / Magenta – Fade
- Rainbow – Slow Fade

6.6.2.3. Static Colors

In this operation mode you can choose one of the static color presets.



Press the **manual control button (10)** and release it within 1 second to go to the next static color preset.

There are 15 static color presets in the following sequence:

- | | | | | |
|----------|-----------|-----------|-----------------|----------------|
| 1. Red | 4. White | 7. Yellow | 10. Cyan | 13. Light blue |
| 2. Green | 5. Amber | 8. Purple | 11. Light red | 14. Warm white |
| 3. Blue | 6. Orange | 9. Pink | 12. Light green | 15. Cold white |

6.6.2.4. Dimming Mode

In this operation mode you can adjust the LEDs intensity separately for the red, green, blue and white colors. Use the remote control to increase or decrease the values. Follow steps 2–3 from **6.7.2.4. Dimming Mode** on page 25.

6.6.2.5. DMX Mode

In this operation mode you can control the device with a controller that supports DMX over Art-Net/s-ACN, or via a computer/laptop with Art-Net software. See **6.10. DMX Channels** on pages 38–40 for complete description of the DMX channels.

6.7. Remote Control

The device can be controlled with an IR remote control. The remote control (product code: **44002**) is not included in the delivery. You can purchase the remote control with any Highlite International dealer.



DANGER
Do not ingest battery, chemical burn hazard

The remote control contains a coin cell battery. If the coin cell battery is swallowed, it can cause severe internal burns in just 2 hours and can lead to death.

You can control several devices at the same time with the remote control. Make sure that you point the remote control to the **infrared port (07)** of the device or group of devices that you want to control, as shown in Fig. 19. If you point the remote control to the **infrared port (07)** of the device outside of the range of the sensor ($> 70^\circ$), the device will not respond to the remote control.

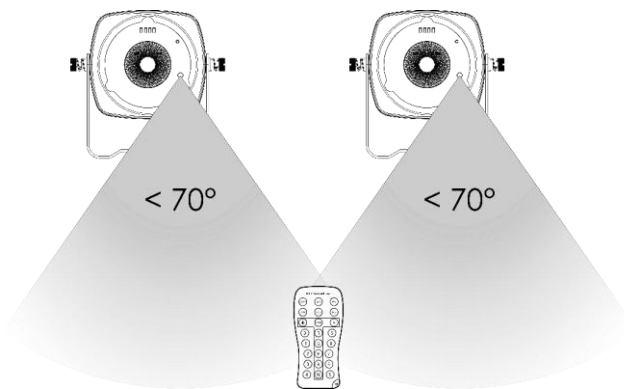


Fig. 19

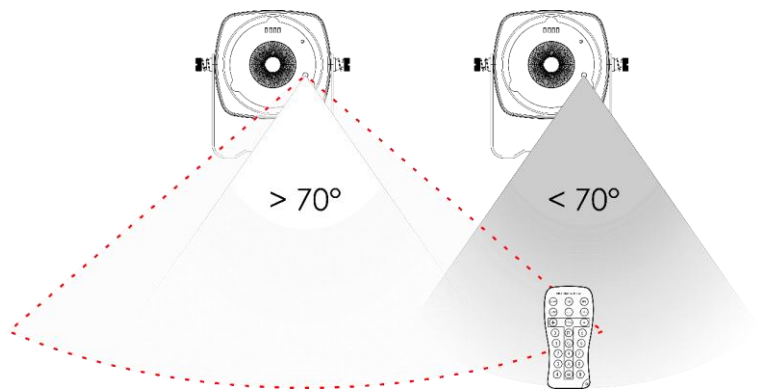


Fig. 20

6.7.1. Functions of the Remote Control Buttons

The remote control has the following functions:

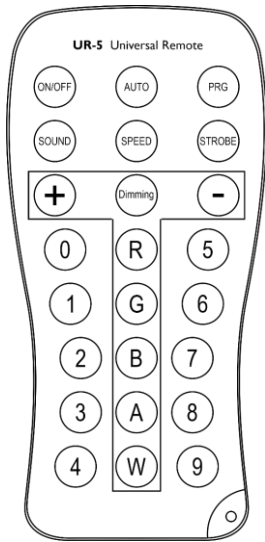


Fig. 21

Button	Description	Function
ON/OFF	On/Off	Turns the LEDs on/off
AUTO	Auto	Auto mode
PRG	Program	Built-in programs mode
SOUND	Sound	No function
SPEED	Speed	Speed adjustment of the built-in programs
STROBE	Strobe	Adds strobe effect
Dimming	Dimming	Dimming mode
+	Plus	Increases the value or selects the next program
-	Minus	Decreases the value or selects the previous program

Button	Description	Function
R	Red	Activates the red color
G	Green	Activates the green color
B	Blue	Activates the blue color
A	Amber	Activates the amber color
W	White	Activates the white color
0	Color 1	Activates the cyan color
1	Color 2	Activates the purple color
2	Color 3	Activates the pink color
3	Color 4	Activates the orange color
4	Color 5	Activates the white color
5	Color 6	Activates the light red color
6	Color 7	Activates the light green color
7	Color 8	Activates the light blue color
8	Color 9	Activates the yellow color
9	Color 10	Activates the warm white color

6.7.2. Operation Modes

When you control the device with the remote control, the following operation modes are possible:

- Auto mode
- Built-in programs
- Static colors
- Dimming mode

6.7.2.1. Auto Mode

Press the **AUTO** button to activate the auto operation mode. The device will play the built-in programs continuously.

6.7.2.2. Built-in Programs

In this mode you can select one of the built-in programs.

- 01) Press the **PROGRAM** button to activate the built-in programs mode.
- 02) Press the **PLUS/MINUS** buttons to select one of the built-in programs. There are 15 built-in programs available: 8 color jump programs and 7 color fade programs, in this sequence:
 - R / G / B / W / Y / C / M / W – Jump
 - Red / Magenta / White – Jump
 - Green / Magenta – Jump
 - R / W / R / B – Jump
 - Blue / White Flash / Red / White Flash – Jump
 - Magenta / White / Green / White – Jump
 - Cyan / Amber – Jump
 - Blue / White – Jump
 - Rainbow – Fade
 - R / G / C / B / M / W – Fade
 - R / W / G / W / B / W – Fade
 - R / W / G / W / B / W – Slow Fade
 - Red / Green / Blue – Fade
 - Green / Magenta – Fade
 - Rainbow – Slow Fade

To change the speed of the built-in program:

- 01) Press the **SPEED** button.
- 02) Press the **PLUS/MINUS** buttons to increase or decrease the speed at which the program is played. The adjustment range is 0–10, from slow to fast.

To add strobe effect:

- 01) Press the **STROBE** button.
- 02) Press the **PLUS/MINUS** buttons to increase or decrease the strobe frequency. The adjustment range is 0–20 Hz.

6.7.2.3. Static Colors

Press one of the **R, G, B, W** or **0–9 buttons** to activate the desired color.

To add strobe effect:

- 01) Press the **STROBE** button.
- 02) Press the **PLUS/MINUS** buttons to increase or decrease the strobe frequency. The adjustment range is 0–20 Hz.

6.7.2.4. Dimming Mode

In this operation mode you can adjust the LEDs intensity separately for the red, green, blue and white colors.

- 01) Press the **DIMMER** button to activate the dimming mode.
- 02) Press the **RED/GREEN/BLUE/WHITE** buttons to select the color.
- 03) Press the **PLUS/MINUS** buttons to increase or decrease the intensity. The adjustment range is 0–10, from low to high intensity.

6.8. Control via the Web Interface

You can control the device and configure its settings via the web interface. You can access the web interface from the Internet browser on your computer/laptop.

To access the web interface, follow the steps below:

- 01) Connect the device to the computer/laptop. See **5.2.1. Wi-Fi Connection of a Single Device** on page 16 for more information.
- 02) Open the Internet browser on your computer/laptop.
- 03) Enter the IP address of the device into the address bar of the browser: 192.168.4.1.
- 04) Press Enter on the keyboard of the computer/laptop to open the web interface in the browser.

Note:

If the device is connected via the router to the computer/laptop, the IP address is assigned by the network.

The web interface offers the following configuration sections:

- Wi-Fi Setup
- Setup Devices
- Art-Net Configuration
- sACN Configuration

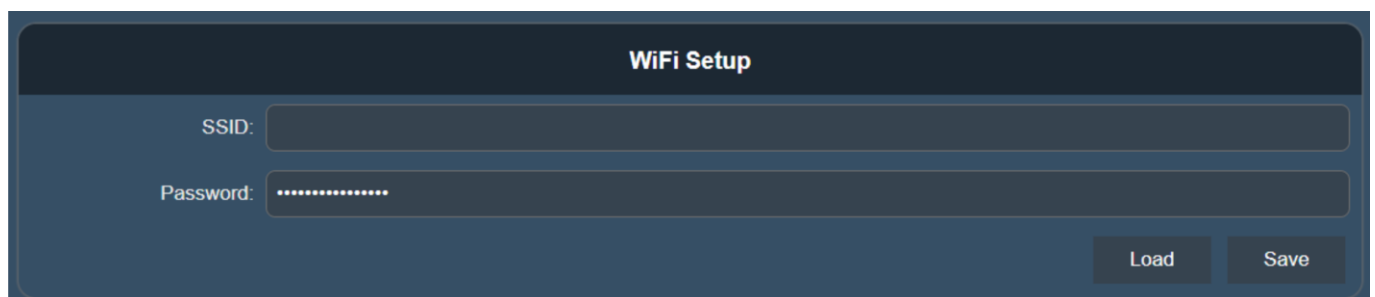
There are two buttons at the bottom right corner in each section of the web interface: **Load** and **Save**.

- Click the **Load** button to load the current active settings in the respective section.
- Click the **Save** button to save the changes you made in the respective section.

6.8.1. Wi-Fi Setup

In this section you can connect the device to the router:

- 01) Enter the SSID name of the router in the **SSID** field.
- 02) Enter the password of the router in the **Password** field.
- 03) Click **Save** to save the changes and complete the Wi-Fi setup. A confirmation dialog box will pop up to confirm that the changes are saved.
- 04) Click **Ok** to close the pop-up confirmation box.



6.8.2. Setup Devices

In this section you can select the control mode of the device and change the name of the device.

From the dropdown menu in the **Control Mode** field you can select the control mode of the device. The following options are available:

- **Auto:** In this mode you can play the built-in programs continuously, adjust the speed and add strobe effect. See **6.8.2.1. Auto Mode** on page 27 for more information
- **Program:** In this mode you can play one of the 15 built-in programs: 8 color jump programs and 7 color fade programs, adjust the speed and add strobe effect. See **6.8.2.2. Built-in Programs** on page 28 for more information
- **Static:** In this mode you can choose one of the static color presets. See **6.8.2.3. Static Colors** on page 29 for more information
- **Dimmer:** In this mode you can adjust the LEDs intensity separately for the red, green, blue and white colors. See **6.8.2.4. Dimming Mode** on page 29 for more information
- **DMX:** In this mode you can configure the settings of the device and select one of the 6 DMX personalities. See **6.8.2.5. DMX Mode** on page 30 for more information

Note:

The name of the device in the **Fixture Name** field is set to 'EventDot'. You can change the name of the device in this field.

6.8.2.1. Auto Mode

- 01) Select Auto from the dropdown menu in the **Control Mode** field.
- 02) Slide the **Speed** slider to change the speed of the auto program.
- 03) Slide the **Strobe** slider to add strobe effect.
- 04) Click **Save** to save the changes. A confirmation dialog box will pop up to confirm that the changes are saved. The device will play continuously the built-in programs with the selected speed and strobe frequency.
- 05) Click **Ok** to close the pop-up confirmation box.

The screenshot shows a 'Setup Devices' window with a dark blue background. At the top, the title 'Setup Devices' is centered. Below the title, there are four rows of controls:

- Control Mode:** A dropdown menu with 'Auto' selected and a small arrow icon on the right.
- Speed:** A horizontal slider control.
- Strobe:** A horizontal slider control.
- Fixture Name:** A text input field containing 'EventDot'.

At the bottom right of the window, there are two buttons: 'Load' and 'Save'.

6.8.2.2. Built-in Programs

- 01) Select Program from the dropdown menu in the **Control Mode** field.
- 02) Select the built-in program from the dropdown menu in the **Program** field. There are 15 built-in programs available: 8 color jump programs and 7 color fade programs.
 - R / G / B / W / Y / C / M / W – Jump
 - Red / Magenta / White – Jump
 - Green / Magenta – Jump
 - R / W / R / B – Jump
 - Blue / White Flash / Red / White Flash – Jump
 - Magenta / White / Green / White – Jump
 - Cyan / Amber – Jump
 - Blue / White – Jump
 - Rainbow – Fade
 - R / G / C / B / M / W – Fade
 - R / W / G / W / B / W – Fade
 - R / W / G / W / B / W – Slow Fade
 - Red / Green / Blue – Fade
 - Green / Magenta – Fade
 - Rainbow – Slow Fade
- 03) Slide the **Speed** slider to change the speed of the built-in program.
- 04) Slide the **Strobe** slider to add strobe effect.
- 05) Click **Save** to save the changes. A confirmation dialog box will pop up to confirm that the changes are saved. The device will play the built-in program with the selected speed and strobe frequency.
- 06) Click **Ok** to close the pop-up confirmation box.

The screenshot shows a 'Setup Devices' window with the following fields and controls:

- Control Mode:** A dropdown menu currently set to 'Program'.
- Program:** A dropdown menu currently set to 'R / G / B / W / Y / C / M / W - Jump'.
- Speed:** A horizontal slider control.
- Strobe:** A horizontal slider control.
- Fixture Name:** A text input field containing 'EventDot'.
- Buttons:** 'Load' and 'Save' buttons are located at the bottom right of the window.

6.8.2.3. Static Colors

- 01) Select Static from the dropdown menu in the **Control Mode** field.
- 02) Select the color from the dropdown menu in the **Color** field. There are 15 static color presets available:

1. Red	4. White	7. Yellow	10. Cyan	13. Light blue
2. Green	5. Amber	8. Purple	11. Light red	14. Warm white
3. Blue	6. Orange	9. Pink	12. Light green	15. Cold white
- 03) Slide the **Strobe** slider to add strobe effect.
- 04) Click **Save** to save the changes. A confirmation dialog box will pop up to confirm that the changes are saved.
- 05) Click **Ok** to close the pop-up confirmation box.



6.8.2.4. Dimming Mode

- 01) Select Dimmer from the dropdown menu in the **Control Mode** field.
- 02) Slide the **Red, Green, Blue** and **White** sliders to increase or decrease the intensity of each color separately.
- 03) Click **Save** to save the changes. A confirmation dialog box will pop up to confirm that the changes are saved.
- 04) Click **Ok** to close the pop-up confirmation box.



6.8.2.5. DMX Mode

- 01) Select DMX from the dropdown menu in the **Control Mode** field.
- 02) Select the control protocol in the **DMX Input** field. There are 2 options available:
 - Art-Net: See **6.8.3. Art-Net Configuration** on page 31 for more information
 - sACN: See **6.8.4. sACN Configuration** on page 31 for more information
- 03) Select the send style from the dropdown menu in the **Send Style** field. There are 2 options available:
 - Changes Only: The device outputs only when it receives a signal
 - Hold Last Signal: The device continues outputting the last received signal until it receives a new signal
- 04) Select the DMX personality from the dropdown menu in the **DMX Mode** field. There are 6 personalities available. See **6.10. DMX Channels** on pages 38–40 for complete description of the DMX channels.
 - 1-Ch (Color)
 - 2-Ch (Program / Speed)
 - 4-Ch (Red / Green / Blue / White)
 - 5-Ch (Dimmer / Strobe / Color / Program / Speed)
 - 6-Ch (Dimmer / Strobe / Red / Green / Blue / White)
 - 9-Ch (Dimmer / Strobe / Color / Program / Speed / Red / Green / Blue / White)
- 05) Enter the DMX starting address of the device in the **DMX Address** field. The entry range is 1–512. See **5.3.1. DMX Addressing** on pages 17–18 for more information.
- 06) Click **Save** to save the changes. A confirmation dialog box will pop up to confirm that the changes are saved.
- 07) Click **Ok** to close the pop-up confirmation box.

Setup Devices

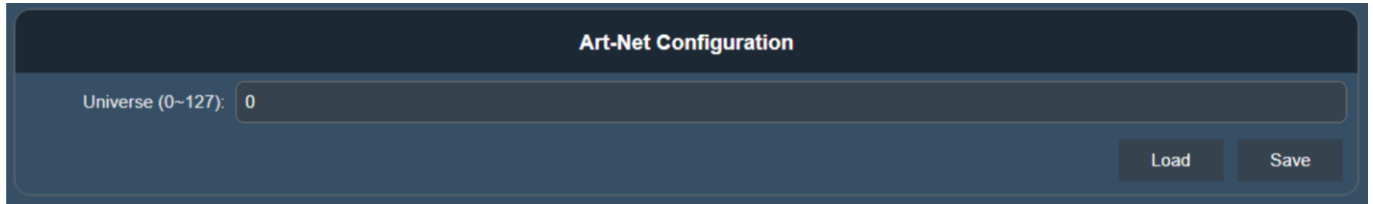
Control Mode:	DMX
DMX Input:	Art-Net
Send Style:	Hold last Signal
DMX Mode:	9-Ch (Dimmer / Strobe / Color / Program / Speed / Red / Green / Blue / White)
DMX Address:	1
Fixture Name:	EventDot

Load
Save

6.8.3. Art-Net Configuration

This section on the web interface is visible only if you have selected Art-Net in the **DMX Input** field. See **6.8.2.5. DMX Mode** on page 30 for more information.

- 01) Enter the universe value in the **Universe** field. The entry range is 0–127.
- 02) Click **Save** to save the changes and complete the Art-Net configuration. A confirmation dialog box will pop up to confirm that the changes are saved.
- 03) Click **Ok** to close the pop-up confirmation box.



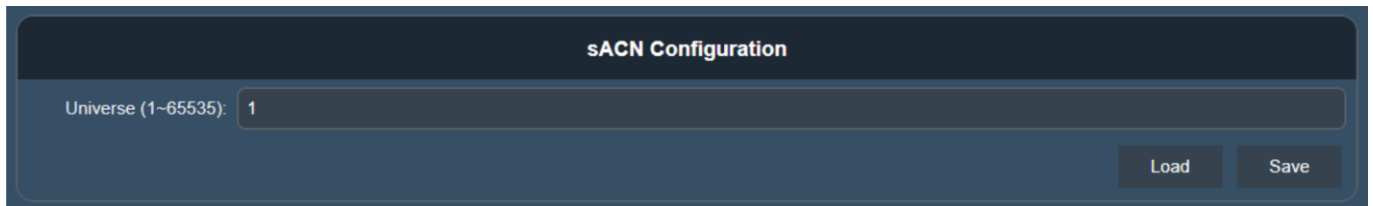
Note:

See **5.3.2. Universe numbering** on page 18 for more information.

6.8.4. sACN Configuration

This section on the web interface is visible only if you have selected sACN in the **DMX Input** field. See **6.8.2.5. DMX Mode** on page 30 for more information.

- 01) Enter the universe value in the **Universe** field. The entry range is 1–65535.
- 02) Click **Save** to save the changes and complete the sACN configuration. A confirmation dialog box will pop up to confirm that the changes are saved.
- 03) Click **Ok** to close the pop-up confirmation box.



Note:

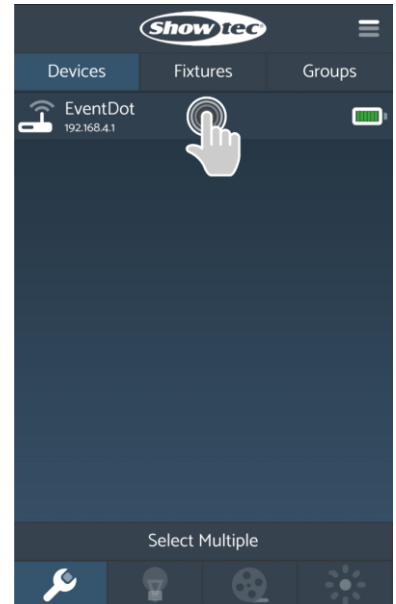
See **5.3.2. Universe numbering** on page 18 for more information.

6.9. Control via the Mobile App

You can control the device and configure its settings via a mobile app on your smartphone. The mobile app ColorCue is available for both Android and Apple devices. You can download the app from the Play Store (Android) or the App Store (Apple).

With the ColorCue app you can group several devices together or address individual devices. The app offers the opportunity to create custom colors and custom shows.

- 01) Connect the device to the smartphone. See **5.2.1. Wi-Fi Connection of a Single Device** on page 16 for more information.
- 02) Open the ColorCue app on the smartphone. The app will automatically recognize the device.
- 03) Click on the device to open the configuration settings. See **6.9.2. Setup Devices** on pages 33–35 for more information.

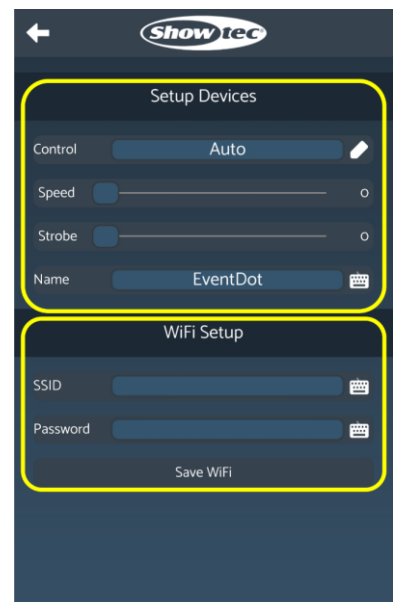


6.9.1. Description of the App Interface

For a complete overview of the features of the mobile app refer to the user manual of the ColorCue mobile app.

The app offers the following 2 configuration sections:

- Setup Devices: See **6.9.2. Setup Devices** on pages 33–35 for more information
- Wi-Fi Setup: See **6.9.3. Wi-Fi Setup** on page 36 for more information



The app has the following buttons:



Drop-down menu button

Click this button to open a drop-down menu in the settings



Numeric pad button

Click this button to open the numeric pad



Keyboard button

Click this button to open the virtual keyboard



Hamburger menu button

Click this button to open the main menu for each section



Back button

Click this button to exit the current screen and go back to the previous screen



Confirm button

Click this button to confirm a selection or a command

6.9.2. Setup Devices

In this section you can select the control mode of the device and change the name of the device.

From the dropdown menu in the **Control** field you can select the control mode of the device.

The following options are available:



- **Auto:** In this mode you can play the built-in programs continuously, adjust the speed and add strobe effect. See **6.9.2.1. Auto Mode** on page 34 for more information
- **Program:** In this mode you can play one of the 15 built-in programs: 8 color jump programs and 7 color fade programs, adjust the speed and add strobe effect. See **6.9.2.2. Built-in Programs** on page 34 for more information
- **Static:** In this mode you can choose one of the static color presets. See **6.9.2.3. Static Colors** on page 35 for more information
- **Dimmer:** In this mode you can adjust the LEDs intensity separately for the red, green, blue and white colors. See **6.9.2.4. Dimming Mode** on page 35 for more information
- **DMX:** In this mode you can configure the settings of the device and select one of the 6 DMX personalities. See **6.9.2.5. DMX Mode** on page 35 for more information

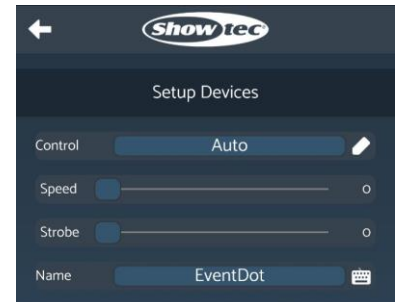
Note:

The name of the device in the **Name** field is set to 'EventDot'. You can change the name of the device in this field. Click the **Keyboard** button to open the keyboard and enter a new name.

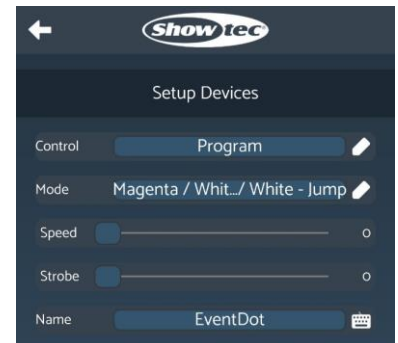
6.9.2.1. Auto Mode

- 01) Select Auto from the dropdown menu in the **Control** field.
- 02) Slide the **Speed** slider to change the speed of the auto program.
- 03) Slide the **Strobe** slider to add strobe effect.

The device will play continuously the built-in programs with the selected speed and strobe frequency.

**6.9.2.2. Built-in Programs**

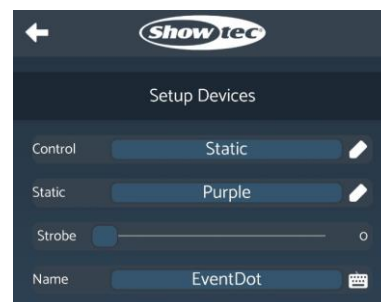
- 01) Select Program from the dropdown menu in the **Control** field.
- 02) Select the built-in program from the dropdown menu in the **Mode** field. There are 15 built-in programs available: 8 color jump programs and 7 color fade programs.
 - R / G / B / W / Y / C / M / W – Jump
 - Red / Magenta / White – Jump
 - Green / Magenta – Jump
 - R / W / R / B – Jump
 - Blue / White Flash / Red / White Flash – Jump
 - Magenta / White / Green / White – Jump
 - Cyan / Amber – Jump
 - Blue / White – Jump
 - Rainbow – Fade
 - R / G / C / B / M / W – Fade
 - R / W / G / W / B / W – Fade
 - R / W / G / W / B / W – Slow Fade
 - Red / Green / Blue – Fade
 - Green / Magenta – Fade
 - Rainbow – Slow Fade
- 03) Slide the **Speed** slider to change the speed of the built-in program.
- 04) Slide the **Strobe** slider to add strobe effect.



6.9.2.3. Static Colors

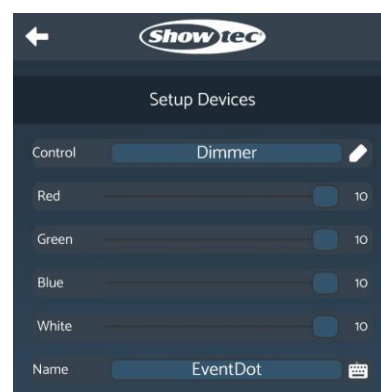
- 01) Select Static from the dropdown menu in the **Control** field.
- 02) Select the color from the dropdown menu in the **Static** field. There are 15 static color presets available:

1. Red	6. Orange	11. Light red
2. Green	7. Yellow	12. Light green
3. Blue	8. Purple	13. Light blue
4. White	9. Pink	14. Warm white
5. Amber	10. Cyan	15. Cold white
- 03) Slide the **Strobe** slider to add strobe effect.



6.9.2.4. Dimming Mode

- 01) Select Dimmer from the dropdown menu in the **Control** field.
- 02) Slide the **Red, Green, Blue** and **White** sliders to increase or decrease the intensity of each color separately.



6.9.2.5. DMX Mode

- 01) Select DMX from the dropdown menu in the **Control** field.
- 02) Select the DMX personality from the dropdown menu in the **Mode** field. There are 6 personalities available. See **6.10. DMX Channels** on pages 38–40 for complete description of the DMX channels.
 - 1-Ch (Color)
 - 2-Ch (Program / Speed)
 - 4-Ch (Red / Green / Blue / White)
 - 5-Ch (Dimmer / Strobe / Color / Program / Speed)
 - 6-Ch (Dimmer / Strobe / Red / Green / Blue / White)
 - 9-Ch (Dimmer / Strobe / Color / Program / Speed / Red / Green / Blue / White)
- 03) Enter the DMX starting address of the device in the **Address** field. The entry range is 1–508. See **5.3.1. DMX Addressing** on page 17–18 for more information.
- 04) Enter the universe value in the **Universe** field. The entry range is 0–127.
- 05) Select the control protocol in the **Protocol** field. There are 2 options available: Art-Net and sACN.



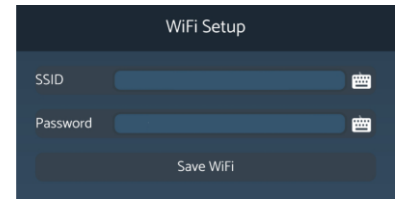
Note:

If you want to control the device with the ColorCue app, select 4-Ch DMX mode and Art-Net.

6.9.3. Wi-Fi Setup

In this section you can connect the device to the router:

- 01) Enter the SSID name of the router in the **SSID** field.
- 02) Enter the password of the router in the **Password** field.
- 03) Click **Save WiFi** to save the changes and complete the Wi-Fi setup.



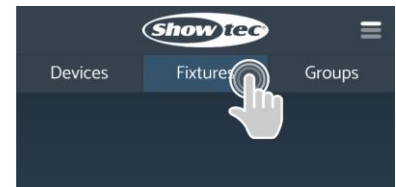
6.9.4. Custom Colors

There are 2 possibilities to create custom colors with the ColorCue app. The first option is to use Dimmer control mode (see **6.9.2.4. Dimming Mode** on page 35 for more information) and the second option is to use the faders and the color picker of the ColorCue app itself.

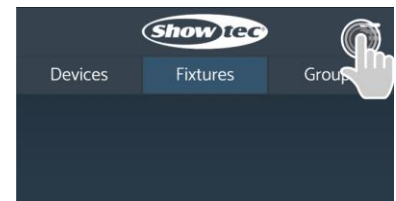
You can create a custom color with the ColorCue app and assign it to a number of selected device. For a complete overview of the features of the mobile app refer to the user manual of the ColorCue mobile app.

To control the device with the ColorCue app and create custom colors, follow the steps below.

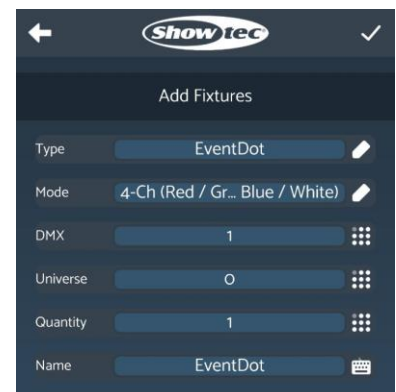
- 01) Make sure that the device is set to DMX mode and 4-Ch DMX mode and Art-Net are selected in the Setup Devices section. See **6.9.2.5. DMX Mode** on page 35 for more information.
- 02) Click the **Fixtures** tab.



- 03) Click the **Hamburger menu** button at the top right corner of the screen to open the main menu of the **Fixtures** tab.
- 04) Select Add Fixtures from the menu.



- 05) Select the device from the drop-down menu in the **Type** field.
- 06) Set the starting DMX address in the **DMX** field.
- 07) Set the Universe in the **Universe** field
- 08) Select the number of devices that you want to control in the **Quantity** field.
- 09) Click the **Confirm** button to add the device.
- 10) Click the **Back** button to return to the **Fixtures** tab.

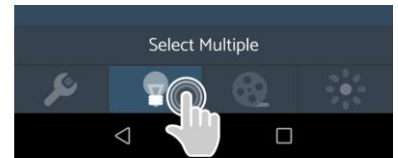


Note:

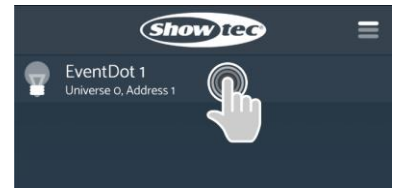
When you add more than one fixture to the app, the app will automatically set the DMX starting addresses of the devices. If you delete a fixture, the app 'remembers' the deleted fixture. Thus, when you add a new fixture, it will set the DMX starting address, reserving 4 channels for the deleted fixture.

Restart the app after deleting a fixture to clear the memory of the app and restore normal DMX addressing.

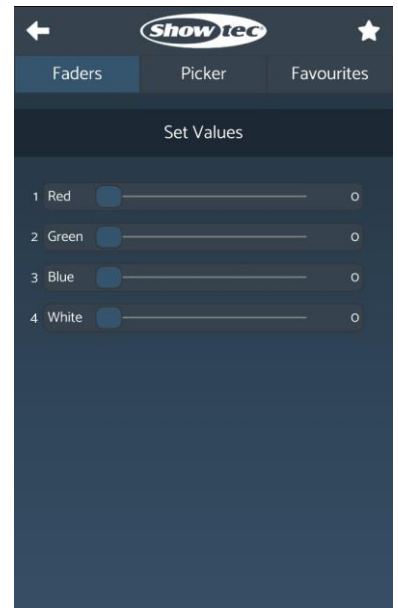
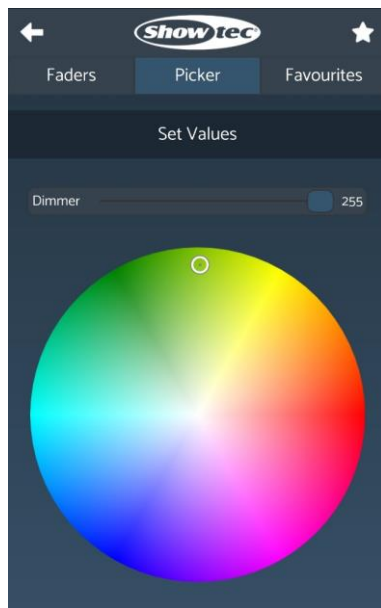
11) Click the **Dimmer Values** section on the ribbon menu at the bottom of the screen.



12) Select the device you want to control from the list with added fixtures.



13) Select a color with the Color Picker in the **Picker** tab. You can use alternatively the sliders in the **Faders** tab to adjust the values for red, green, blue, and white separately.



Note:

You can add the custom color to a list with favorite colors. Refer to the user manual of the ColorCue mobile app for more information.

6.10. DMX Channels

6.10.1. DMX Channels Overview

Function	1 CH	2 CH	4 CH	5 CH	6 CH	9 CH
Master Dimmer				1	1	1
Linear Strobe				2	2	2
Color Presets	1			3		3
Built-in Programs		1		4		4
Speed		2		5		5
Red			1		3	6
Green			2		4	7
Blue			3		5	8
White			4		6	9

6.10.2. 1 Channel, 2 Channels

1 CH	2 CH	Function	Value	Setting
			000-007	No function
			008-013	Color 1 R 255; G 000; B 000; W 000
			014-020	Color 2 R 255; G 000; B 000; W 100
			021-027	Color 3 R 255; G 000; B 000; W 200
			028-034	Color 4 R 255; G 050; B 000; W 000
			035-041	Color 5 R 255; G 150; B 000; W 000
			042-048	Color 6 R 255; G 255; B 000; W 000
			049-055	Color 7 R 255; G 255; B 000; W 075
			056-062	Color 8 R 000; G 255; B 000; W 255
			063-069	Color 9 R 000; G 255; B 000; W 150
			070-076	Color 10 R 000; G 255; B 000; W 050
			077-083	Color 11 R 000; G 255; B 000; W 000
			084-090	Color 12 R 000; G 255; B 050; W 000
			091-097	Color 13 R 000; G 255; B 150; W 000
			098-104	Color 14 R 000; G 255; B 255; W 000
			105-111	Color 15 R 000; G 255; B 255; W 075
			112-118	Color 16 R 000; G 255; B 255; W 150
1		Color Presets	119-125	Color 17 R 000; G 100; B 255; W 255
			126-132	Color 18 R 000; G 000; B 255; W 100
			133-139	Color 19 R 000; G 000; B 255; W 050
			140-146	Color 20 R 000; G 000; B 255; W 000
			147-153	Color 21 R 075; G 000; B 255; W 000
			154-160	Color 22 R 160; G 000; B 255; W 000
			161-167	Color 23 R 255; G 000; B 255; W 000
			168-174	Color 24 R 255; G 000; B 175; W 000
			175-181	Color 25 R 255; G 000; B 100; W 000
			182-188	Color 26 R 255; G 000; B 100; W 050
			189-195	Color 27 R 255; G 000; B 025; W 050
			196-202	Color 28 R 255; G 000; B 025; W 025
			203-209	Color 29 R 255; G 000; B 025; W 000
			210-216	Color 30 R 000; G 000; B 000; W 255
			217-223	Color 31 R 075; G 075; B 000; W 255
			224-230	Color 32 R 000; G 000; B 100; W 255
			231-255	Color 33 R 255; G 255; B 255; W 255
			000-015	No function
	1	Built-in Programs	016-031	Color jump 1 R / G / B / W / Y / C / M / W
			032-047	Color jump 2 Red / Magenta / White
			048-063	Color jump 3 Green / Magenta

1 CH	2 CH	Function	Value	Setting
			064-079	Color jump 4 R / W / R / B
			080-095	Color jump 5 Blue / White Flash / Red / White Flash
			096-111	Color jump 6 Magenta / White / Green / White
			112-127	Color jump 7 Cyan / Amber
			128-143	Color jump 8 Blue / White
			144-159	Color fade 1 Rainbow
			160-175	Color fade 2 R / G / C / B / M / W
			176-191	Color fade 3 R / W / G / W / B / W
			192-207	Color fade 4 R / W / G / W / B / W (slow)
			208-223	Color fade 5 Red / Green / Blue
			224-239	Color fade 6 Green / Magenta
			240-255	Color fade 7 Rainbow (slow)
	2	Speed	000-255	From slow to fast

6.10.3. 4 Channels, 5 Channels, 6 Channels, 9 channels

4 CH	5 CH	6 CH	9 CH	Function	Value	Setting
	1	1	1	Master Dimmer	000-255	From low to high intensity (0-100 %)
	2	2	2	Linear Strobe	000-010	No function
					011-255	From low to high frequency
					000-007	No function
					008-013	Color 1 R 255; G 000; B 000; W 000
					014-020	Color 2 R 255; G 000; B 000; W 100
					021-027	Color 3 R 255; G 000; B 000; W 200
					028-034	Color 4 R 255; G 050; B 000; W 000
					035-041	Color 5 R 255; G 150; B 000; W 000
					042-048	Color 6 R 255; G 255; B 000; W 000
					049-055	Color 7 R 255; G 255; B 000; W 075
					056-062	Color 8 R 000; G 255; B 000; W 255
					063-069	Color 9 R 000; G 255; B 000; W 150
					070-076	Color 10 R 000; G 255; B 000; W 050
					077-083	Color 11 R 000; G 255; B 000; W 000
					084-090	Color 12 R 000; G 255; B 050; W 000
					091-097	Color 13 R 000; G 255; B 150; W 000
					098-104	Color 14 R 000; G 255; B 255; W 000
					105-111	Color 15 R 000; G 255; B 255; W 075
					112-118	Color 16 R 000; G 255; B 255; W 150
					119-125	Color 17 R 000; G 100; B 255; W 255
					126-132	Color 18 R 000; G 000; B 255; W 100
					133-139	Color 19 R 000; G 000; B 255; W 050
					140-146	Color 20 R 000; G 000; B 255; W 000
					147-153	Color 21 R 075; G 000; B 255; W 000
					154-160	Color 22 R 160; G 000; B 255; W 000
					161-167	Color 23 R 255; G 000; B 255; W 000
					168-174	Color 24 R 255; G 000; B 175; W 000
					175-181	Color 25 R 255; G 000; B 100; W 000
					182-188	Color 26 R 255; G 000; B 100; W 050
					189-195	Color 27 R 255; G 000; B 025; W 050
					196-202	Color 28 R 255; G 000; B 025; W 025
					203-209	Color 29 R 255; G 000; B 025; W 000
					210-216	Color 30 R 000; G 000; B 000; W 255
					217-223	Color 31 R 075; G 075; B 000; W 255
					224-230	Color 32 R 000; G 000; B 100; W 255
	3		3	Color Presets		

4 CH	5 CH	6 CH	9 CH	Function	Value	Setting
					231–255	Color 33 R 255; G 255; B 255; W 255
	4		4	Built-in Programs	000–015	No function
		016–031			Color jump 1 R / G / B / W / Y / C / M / W	
		032–047			Color jump 2 Red / Magenta / White	
		048–063			Color jump 3 Green / Magenta	
		064–079			Color jump 4 R / W / R / B	
		080–095			Color jump 5 Blue / White Flash / Red / White Flash	
		096–111			Color jump 6 Magenta / White / Green / White	
		112–127			Color jump 7 Cyan / Amber	
		128–143			Color jump 8 Blue / White	
		144–159			Color fade 1 Rainbow	
		160–175			Color fade 2 R / G / C / B / M / W	
		176–191			Color fade 3 R / W / G / W / B / W	
		192–207			Color fade 4 R / W / G / W / B / W (slow)	
		208–223			Color fade 5 Red / Green / Blue	
		224–239			Color fade 6 Green / Magenta	
	240–255	Color fade 7 Rainbow (slow)				
	5		5	Speed	000–255	From slow to fast
1		3	6	Red	000–255	From low to high intensity (0–100 %)
2		4	7	Green	000–255	From low to high intensity (0–100 %)
3		5	8	Blue	000–255	From low to high intensity (0–100 %)
4		6	9	White	000–255	From low to high intensity (0–100 %)

Note: Make sure that the Master Dimmer channel is open in 5-CH, 6-CH and 9-CH mode in order to see the light output.

7. Troubleshooting

This troubleshooting guide contains solutions to problems which can be carried out by an ordinary person. The device does not contain user-serviceable parts.

Unauthorized modifications to the device will render the warranty void. Such modifications may result in injuries and material damage.

Refer servicing to instructed or skilled persons. Contact your Highlite International dealer in case the solution is not described in the table.

Problem	Probable cause(s)	Solution
The device does not turn on	The battery is depleted	<ul style="list-style-type: none"> Recharge the battery. See 4.6. Charging the battery on page 15
The device responds erratically	The device is operating in a previously selected mode	<ul style="list-style-type: none"> Reset the device to the factory settings. See 6.4. Factory Reset on page 19
The device does not appear on the list with networks	The device is not in hotspot mode	<ul style="list-style-type: none"> Reset the device to the factory settings. See 6.4. Factory Reset on page 19
The device does not respond to the remote control	The remote control is outside of the range of the sensor of the infrared port	<ul style="list-style-type: none"> Walk closer to the device or change the angle at which you point the remote control to the device. See 6.7. Remote Control on page 23
	The battery of the remote control is depleted	<ul style="list-style-type: none"> Change the battery of the remote control

8. Maintenance

8.1. Preventive Maintenance



Attention

Before each use, examine the device visually for any defects.

Make sure that:

- All screws used for installing the device or parts of the device are tightly fastened and are not corroded.
- The safety devices are not damaged.
- There are no deformations on housings, fixations and installation points.
- The lens is not cracked or damaged.

8.1.1. Basic Cleaning Instructions

The external lens of the device must be cleaned periodically in order to optimize the light output. The cleaning schedule depends on the conditions at the site where the device is installed. When smoke or fog machines are used at the site, the device will need more frequent cleaning. On the other hand, if the device is installed in a well-ventilated area, it will need less frequent cleaning. To establish a cleaning schedule, examine the device at regular intervals during the first 100 hours of operation.

To clean the device, follow the steps below:

- 01) Switch off the device.
- 02) Remove the dust collected on the external surface with a soft brush.
- 03) Clean the lens with a damp cloth.
- 04) Dry the lens carefully with a lint-free cloth.



Attention

- Do not immerse the device in liquid.
- Do not use alcohol or solvents.

8.2. Corrective Maintenance

The device does not contain user-serviceable parts. Do not open the device and do not modify the device.

Refer repairs and servicing to instructed or skilled persons. Contact your Highlite International dealer for more information.

9. Deinstallation, Transportation and Storage

9.1. Instructions for Deinstallation

If trussing systems are used, deinstallation must be carried out only by instructed or skilled persons.

- Always observe the national and site-specific regulations during deinstallation and derigging of the device.
- Wear personal protective equipment in compliance with the national and site-specific regulations.

9.2. Instructions for Transportation

This device contains a rechargeable (secondary) lithium-ion battery. Lithium-ion batteries contained in equipment fall under the category of dangerous goods for transportation.

Make sure that you are in compliance with all applicable transportation regulations when you transport this device. See **3.4. Product Specifications** on page 10 for the specifications of the battery.

Use the original packaging to transport the device or other suitable packaging that complies with the regulations for transportation of secondary lithium-ion batteries.

9.3. Storage

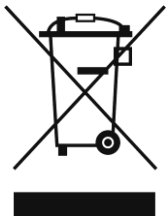
This device contains a rechargeable (secondary) lithium-ion battery. The battery is not replaceable. The battery may explode or cause burns if it is crushed, disassembled or exposed to fire or high temperatures.

- Store the device in a dry place, at temperatures between 5 °C and 20 °C. Lithium-ion batteries self-discharge during storage. Temperatures above 20 °C speed up the self-discharging process.
- Do not store the device with depleted battery. Make sure that the battery is charged to at least 50 % before storing the device. See **4.6. Charging the Battery** on page 15.
- If the device is stored for an extended period, check the battery's charge status regularly. See **6.6.1.3. Battery Status Check** on page 21.
- Clean the device before storing. Follow the cleaning instructions in chapter **8.1.1. Basic Cleaning Instructions** on page 41.
- Store the device in the original packaging, if possible.

10. Disposal

This device contains a lithium-ion battery. Do not dispose of with the household waste.

Correct disposal of this product



Waste Electrical and Electronic Equipment

This symbol on the product, its packaging or documents indicates that the product shall not be treated as household waste. Dispose of this product by handing it to the respective collection point for recycling of electrical and electronic equipment. This is to avoid environmental damage or personal injury due to uncontrolled waste disposal. For more detailed information about recycling of this product contact the local authorities or the authorized dealer.

11. Approval



Hereby, Highlite International declares that the device EventDOT 15 Q4, product code 44011, is in compliance with Directive 2014/53/EU (RED – Radio Equipment Directive).

The full text of the EU declaration of conformity is available at the respective product page on the website of Highlite International (www.highlite.com).



©2021 Showtec