

**ENGLISH**

**Alpha Series Single Rigging bar /  
Double Rigging bar**

**V1**

**Product code: 101820/101821**

### Preface

---

Thank you for purchasing this DMT product.

The purpose of this user manual is to provide instructions for the correct and safe use of this product.

Keep the user manual for future reference as it is an integral part of the product. The user manual shall be stored at an easily accessible location.

This user manual contains information concerning:

- Safety instructions
- Installation and operation of the product
- Intended and non-intended use of the product
- Maintenance procedures
- Troubleshooting
- Transport, storage and disposal of the product

Non-observance of the instructions in this user manual may result in serious injuries and damage of property.

©2022 DMT. All rights reserved.

No part of this document may be copied, published or otherwise reproduced without the prior written consent of Highlite International.

Design and product specifications are subject to change without prior notice.

For the latest version of this document or other language versions, please visit our website [www.highlite.com](http://www.highlite.com) or contact us at [service@highlite.com](mailto:service@highlite.com).

Highlite International and its authorized service providers are not liable for any injury, damage, direct or indirect loss, consequential or economic loss or any other loss arising from the use of, or inability to use or reliance on the information contained in this document.

## Table of contents

---

<b>1. Introduction</b> .....	<b>3</b>
1.1. Before Using the Product .....	3
1.2. Intended Use .....	3
1.3. Text Conventions .....	3
1.4. Symbols and Signal Words.....	3
1.5. Symbols on the Information Label .....	4
<b>2. Safety</b> .....	<b>4</b>
2.1. Warnings and Safety Instructions .....	4
2.2. Requirements for the User.....	5
<b>3. Description of the Device</b> .....	<b>6</b>
3.1. Front View .....	6
3.2. Back View .....	7
3.3. Product Specifications .....	8
3.4. Dimensions.....	9
<b>4. Installation</b> .....	<b>10</b>
4.1. Safety Instructions for Installation .....	10
4.2. Personal Protective Equipment .....	10
4.3. Mounting Options.....	11
4.3.1. Overhead mounting .....	11
4.3.2. Standing position .....	11
4.3.3. Lateral mounting .....	12
4.4. Connecting Multiple Devices .....	13
4.5. Working Load Limit .....	14
4.6. Working of the Locking Mechanism .....	15
4.7. Installation of a LED Screen to the Device .....	17
4.7.1. Hanging Installation .....	17
4.7.2. Standing Installation.....	20
4.8. Height Adjustment .....	22
<b>5. Inspection and Maintenance</b> .....	<b>23</b>
5.1. Inspection .....	23
5.2. Corrective Maintenance .....	23
5.3. Basic Cleaning Instructions.....	23
<b>6. Deinstallation, Transportation and Storage</b> .....	<b>24</b>
6.1. Instructions for Deinstallation.....	24
6.2. Instructions for Transportation .....	24
6.3. Storage .....	24
<b>7. Disposal</b> .....	<b>24</b>

## 1. Introduction

### 1.1. Before Using the Product



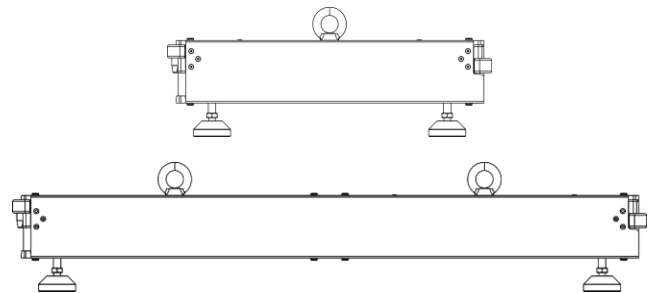
**Important**

**Read and follow the instructions in this user manual before installing, operating or servicing this product.**

The manufacturer will not accept liability for any resulting damages caused by the non-observance of this manual. After unpacking, check the contents of the box. If any parts are missing or damaged, contact your Highlite International dealer.

Your shipment includes:

- DMT Alpha Series Single Rigging bar / Double Rigging bar
- User manual



**Fig. 01**

### 1.2. Intended Use

This device is intended for professional use as a rigging bar for the DMT Alpha Series A3.9i LED screens. Any other use, not mentioned under intended use, is regarded as non-intended and incorrect use.

### 1.3. Text Conventions

Throughout the user manual the following text conventions are used:

- References: References to chapters and parts of the device are in bold lettering, for example: "Refer to **2. Safety**", "turn the **adjustment screw (02)**"
- 0–255: Defines a range of values
- Notes: **Note:** (in bold lettering) is followed by useful information or tips

### 1.4. Symbols and Signal Words

Safety notes and warnings are indicated throughout the user manual by safety signs. Always follow the instructions provided in this user manual.



**DANGER**

Indicates an imminently hazardous situation which, if not avoided, will result in death or serious injury.



**WARNING**

Indicates a potentially hazardous situation which, if not avoided, could result in death or serious injury.



**CAUTION**

Indicates a potentially hazardous situation, which, if not avoided, may result in minor or moderate injury.



**Attention**

Indicates important information for the correct operation and use of the product.



**Important**

Read and observe the instructions in this document.

## 1.5. Symbols on the Information Label

This product is provided with an information label. The information label is located on the bottom frame of the device.

The information label contains the following symbol:



Read and observe the instructions in this document.

## 2. Safety



### Important

**Read and follow the instructions in this user manual before installing, using or servicing this product.**

The manufacturer will not accept liability for any resulting damages caused by the non-observance of this manual.

### 2.1. Warnings and Safety Instructions



### WARNING

**Incorrect installation can cause serious injuries and damage of property.**

This product may be installed only by instructed or skilled persons.

- Do not exceed the working load limit (WLL) as indicated on the device and in this user manual.
- When the device is used together with other accessories, make sure that the working load limit (WLL) of each component is not exceeded.



### Attention

**For professional use only**

**This device shall be used only for the purposes it is designed for.**

This device is intended for professional use as a rigging bar for the DMT Alpha Series A3.9i. Any incorrect use may lead to hazardous situations and result in injuries and material damage.

- Do not modify the device. Unauthorized modifications to the device will render the warranty void. Such modifications may result in injuries and material damage.
- Use the device only in environments with with an ambient temperature between -20 °C and 60 °C.



### **Attention**

**Before every use, examine the device visually for any defects**

- Follow the inspection schedule established for the site.
- Examine the device for damage, cracks and corrosion. If any fault is found, mark the device clearly and remove it from service.
- Do not use the device if it is damaged.

## **2.2. Requirements for the User**



### **DANGER**

**This product may not be used by ordinary persons.**

This product may be used only by instructed or skilled persons. Installation and maintenance may be carried out by instructed or skilled persons. Service shall be carried out only by skilled persons. Contact your Highlite International dealer for more information.

Instructed persons have been instructed and trained by a skilled person, or are supervised by a skilled person, for specific tasks and work activities associated with the installation, service and maintenance of this product, so that they can identify risks and take precautions to avoid them.

Skilled persons have training or experience, which enables them to recognize risks and to avoid hazards associated with the installation, service and maintenance of this product.

Ordinary persons are all persons other than instructed persons and skilled persons. Ordinary persons include not only users of the product but also any other persons that may have access to the device or who may be in the vicinity of the device.

### 3. Description of the Device

With the DMT Single or Double Rigging Bar you can securely hang a maximum of 18 DMT Alpha Series A3.9i vertically. You can either install the rigging bar in a hanging installation (LED screen below the rigging bar) or standing installation (LED screen on top of the rigging bar). The single version has a Working Load Limit (WLL) of 200 kg, while the double version has a WLL of 400 kg.

#### 3.1. Front View

101820

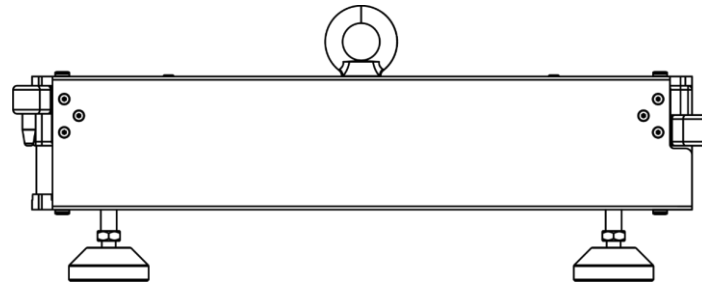


Fig. 02

101821

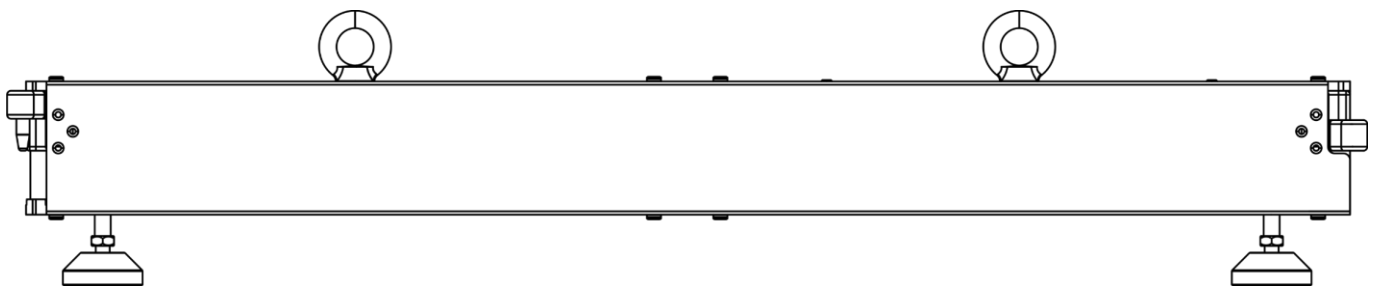


Fig. 03

### 3.2. Back View

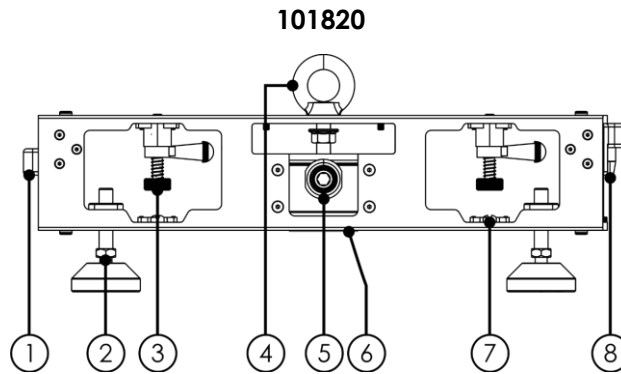


Fig. 04

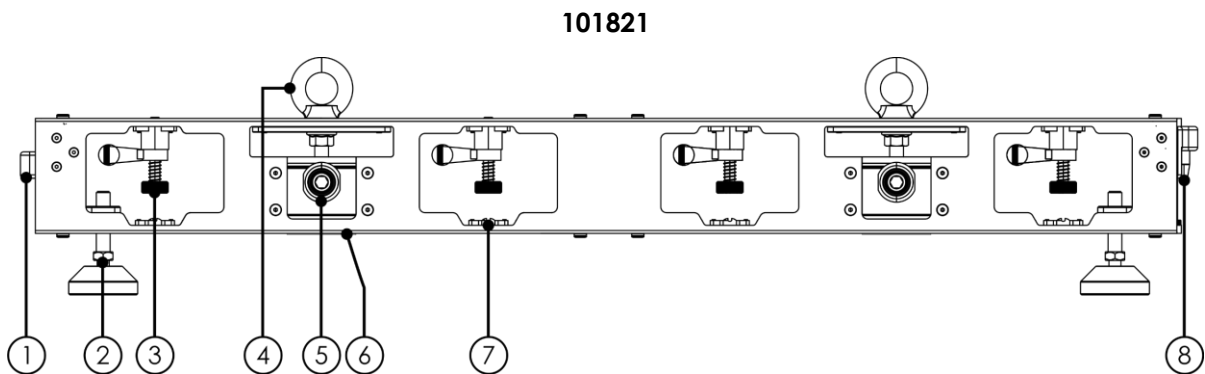


Fig. 05

- 01) Opening for pin (for connecting multiple rigging bars)
- 02) 2x adjustable foot
- 03) 2x / 4x locking mechanism (for attaching an Alpha series 3.9i LED screen, standing installation) see **4.6 Working of the Locking Mechanism** on page 15.
- 04) 2x M12 rigging eye Ø 28 mm
- 05) 1x / 2x wall/ truss installation opening
- 06) 1x / 2x magnetic strip
- 07) 2x / 4x fast-lock opening (for attaching an Alpha series 3.9i LED screen, hanging installation)
- 08) Pin (for connecting multiple rigging bars)



### 3.3. Product Specifications

Model:	Alpha Series - Single Rigging Bar (101820)	Alpha Series - Double Rigging Bar (101821)
--------	--	--

<b>Physical:</b>		
Dimensions:	497 x 70 x 100 mm (L x W x H)	997 x 70 x 100 mm (L x W x H)
Weight:	4,8 kg	8,6 kg

<b>Mechanical:</b>		
Locking system:	Fast lock	
Safety factor:	10:1	
Mounting options:	Eye bolt	
Rigging eye thread	M12	
Rigging vertical max.:	18	
WLL:	200 kg	400 kg
Curved angles:	-5° / 0° / 5° / 10°	

<b>Construction:</b>		
Material:	Metal	
Color:	Black	
IP rating:	IP20	

<b>Thermal:</b>		
Ambient temperature t <sub>a</sub> :	-20 °C and 60 °C	

3.4. Dimensions

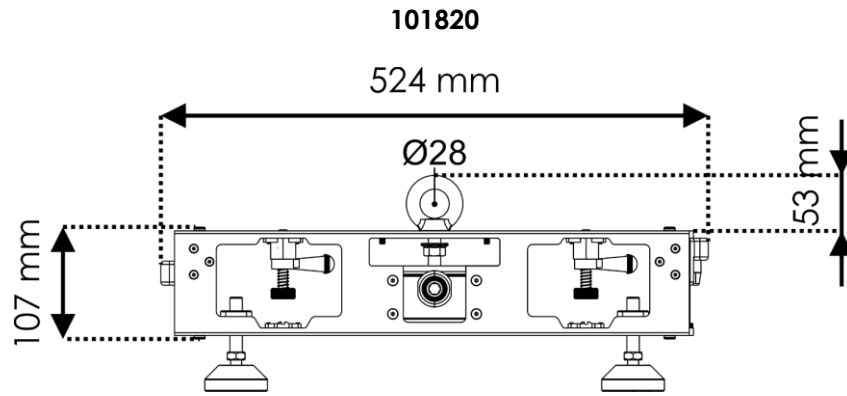


Fig. 06

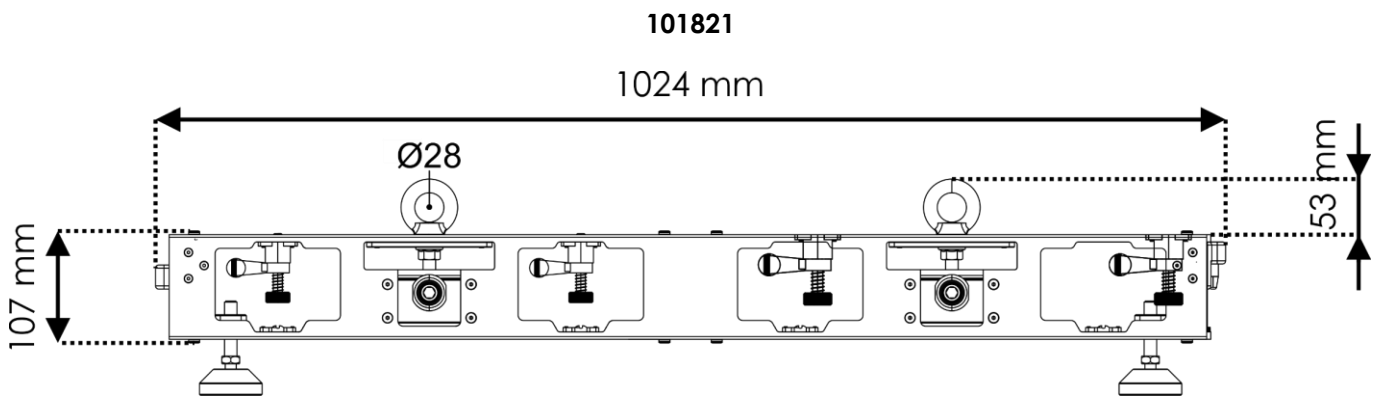


Fig. 07

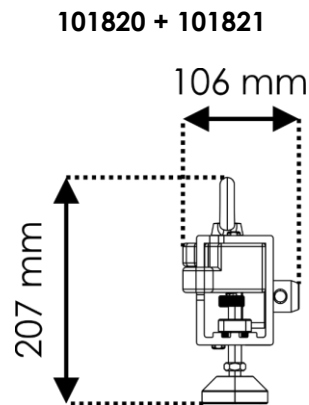


Fig. 08

## 4. Installation

---

### 4.1. Safety Instructions for Installation



**WARNING**

**Incorrect installation can cause serious injuries and damage of property.**

Installation must be carried out only by instructed or skilled persons.

Follow all applicable European, national and local safety regulations concerning rigging and trussing.

### 4.2. Personal Protective Equipment

During installation and rigging wear personal protective equipment in compliance with the national and site-specific regulations.

### 4.3. Mounting Options



**CAUTION**

Restrict the access under the work area during rigging and/or derigging.

You can mount the device in 3 different ways:

- Overhead mounting (LED screen below the rigging bar)
- Standing position (LED screen on top of the rigging bar)
- Lateral mounting (rigging bar connected to the wall/truss)

#### 4.3.1. Overhead mounting

To attach the device to a truss, follow the steps below:

- 01) Use a shackle and a sling to attach the device to the truss.
- 02) Make sure that the rigging bar setup is leveled, as shown in Fig. 09 and 10.

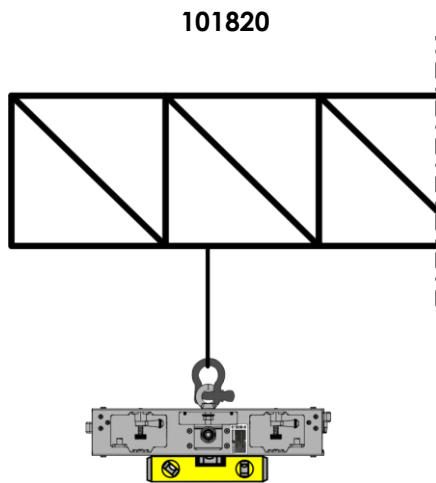


Fig. 09

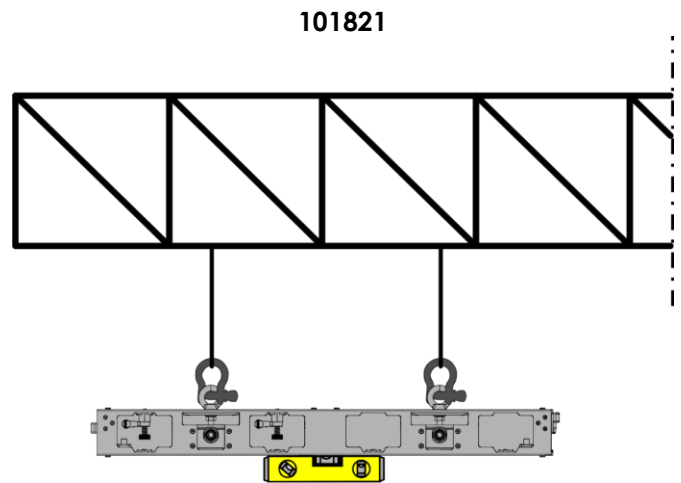


Fig. 10

#### 4.3.2. Standing position

You can put the device in an upright position. This mounting option is used for standing installation for LED screens. For more information, see **4.7.2. Standing Installation** on page 20.

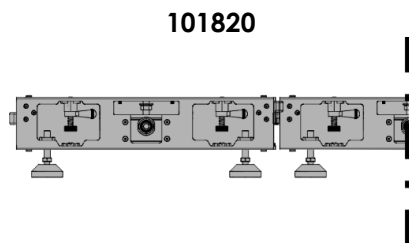


Fig. 11

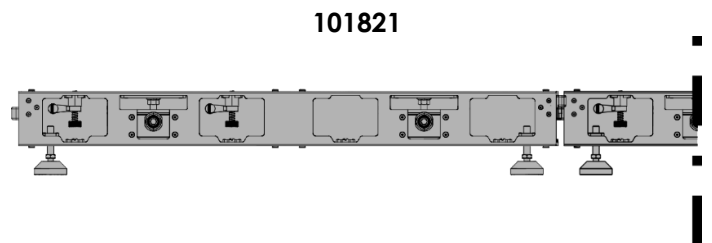


Fig. 12

## 4.3.3. Lateral mounting

You can connect the rigging bar laterally to a truss. You can use single tubes from the P-truss series (example: product code PP50025B).

To mount the device to a P-truss you need the following items:

- 1 x conical pin (A) (product code: PIN30 – not supplied, contact your Highlite International dealer for more information)
- 1 x safety spring (B) (product code: 30SPRING – not supplied, contact your Highlite International dealer for more information)

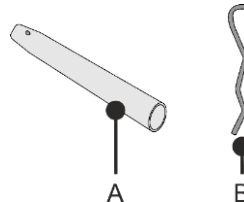


Fig. 13

- 01) Put the P-truss in front of the **truss installation opening (05)**, as shown in Fig. 14.
- 02) Push the conical pin through the opening on the truss, as shown in Fig. 15.
- 03) Put the safety spring (B) into the opening on the conical pin (A) to secure the device to the P-truss, as shown in Fig. 16–17.

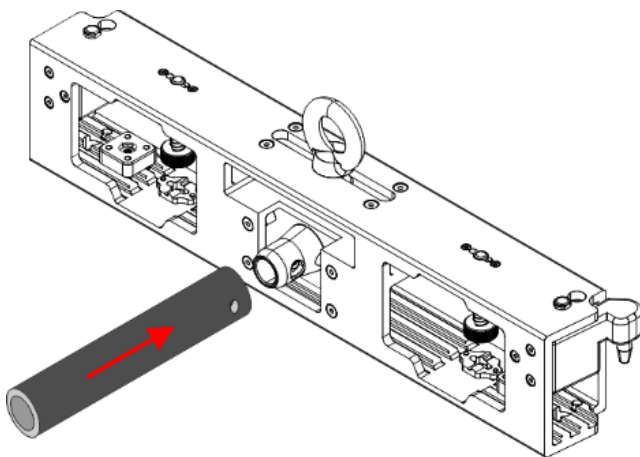


Fig. 14

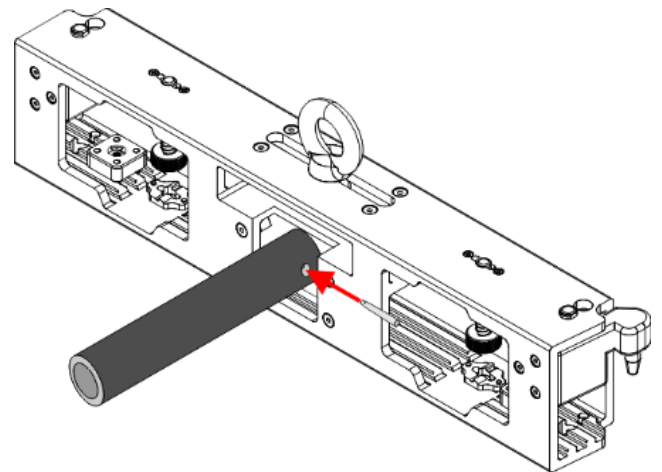


Fig. 15

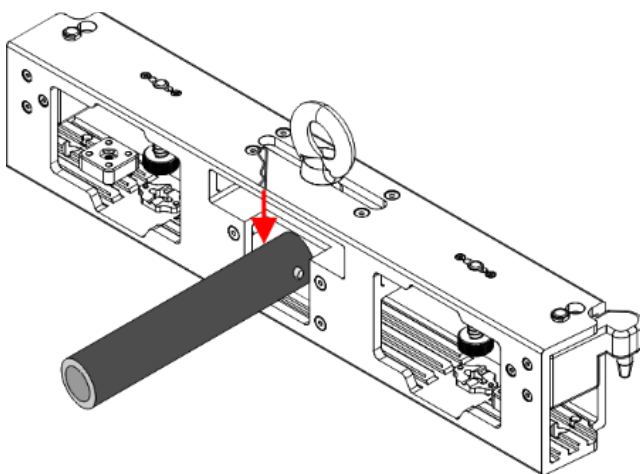


Fig. 16

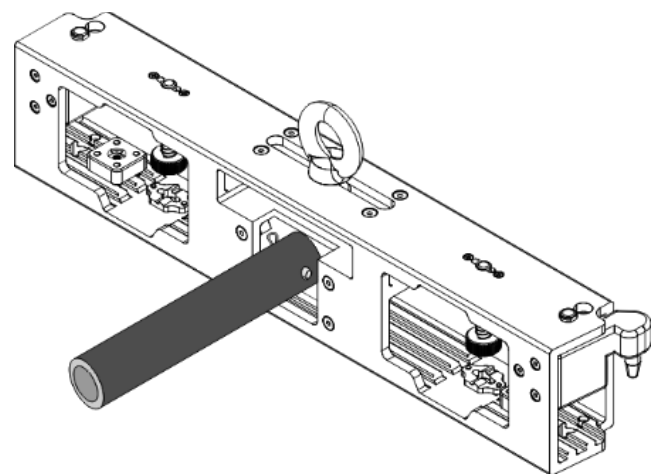


Fig. 17

#### 4.4. Connecting Multiple Devices

You can connect multiple devices to each other to create a large setup. You can create a curved setup.

To connect multiple devices, follow the steps below:

- 01) Put the **pin (08)** of the device in front of the **opening for pin (01)** of the other device, so that the **pin (08)** of first device fits into the **opening for pin (01)** on the second device, as shown in Fig. 18 and 19.
- 02) Repeat step 01 for more devices in your setup.

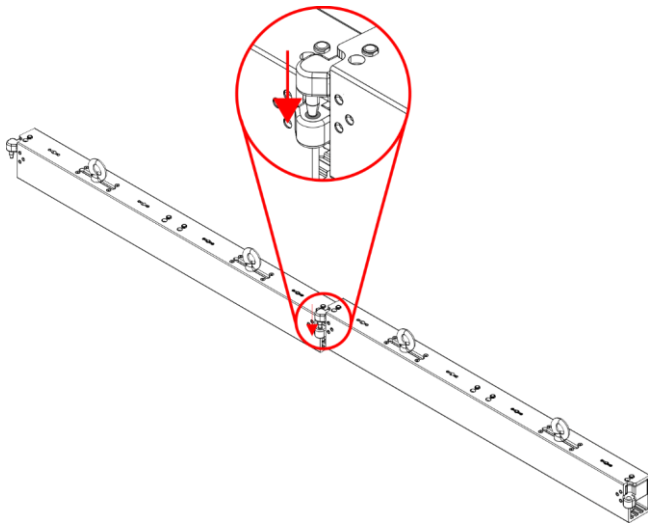


Fig. 18

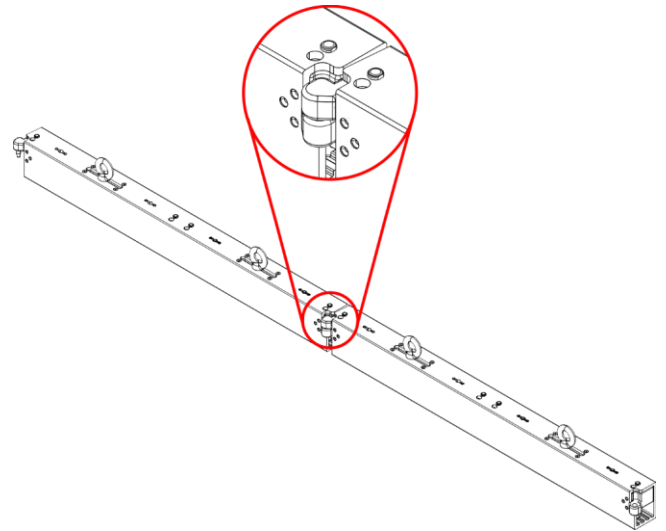


Fig. 19

- 03) Make sure that the devices are leveled in all directions, as shown in Fig. 20.

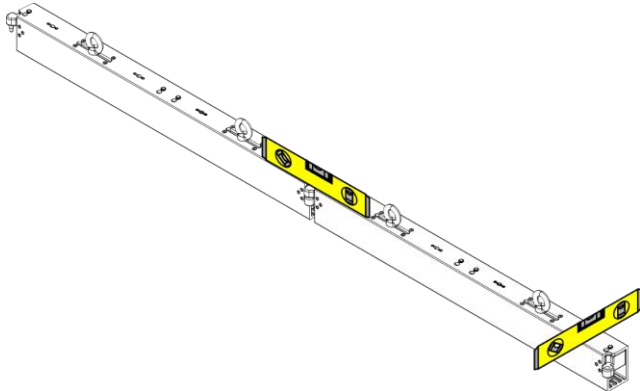


Fig. 20

**Note:**

You can create a curved setup with multiple devices. For more information see the manual of the Alpha series 3.9i LED screen (101810) The Alpha series 3.9i LED screen can be placed in a curved setup at  $-5^\circ$ ,  $5^\circ$ , and  $10^\circ$  angle, as shown in Fig. 21 and 22.

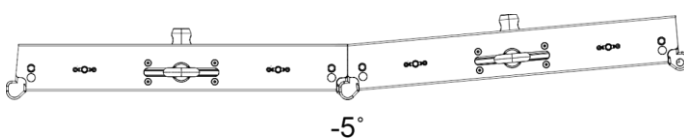


Fig. 21

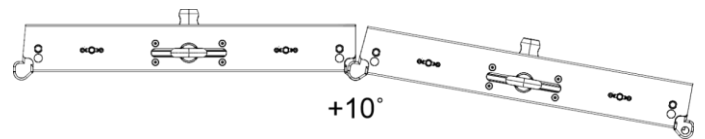


Fig. 22

### 4.5. Working Load Limit



**WARNING**  
Do not hang more LED screens than the maximum allowed number.

The device shall be used only with the Alpha Series A3.9i LED screens.

The WLL (Working Load Limit) for the Single Rigging Bar (101820) is 200 kg.

The WLL (Working Load Limit) for the Double Rigging Bar (101821) is 400 kg.

This device is designed for hanging installation of 18 LED screens under each other. Do not hang more than 18 LED screens under each other on one device.

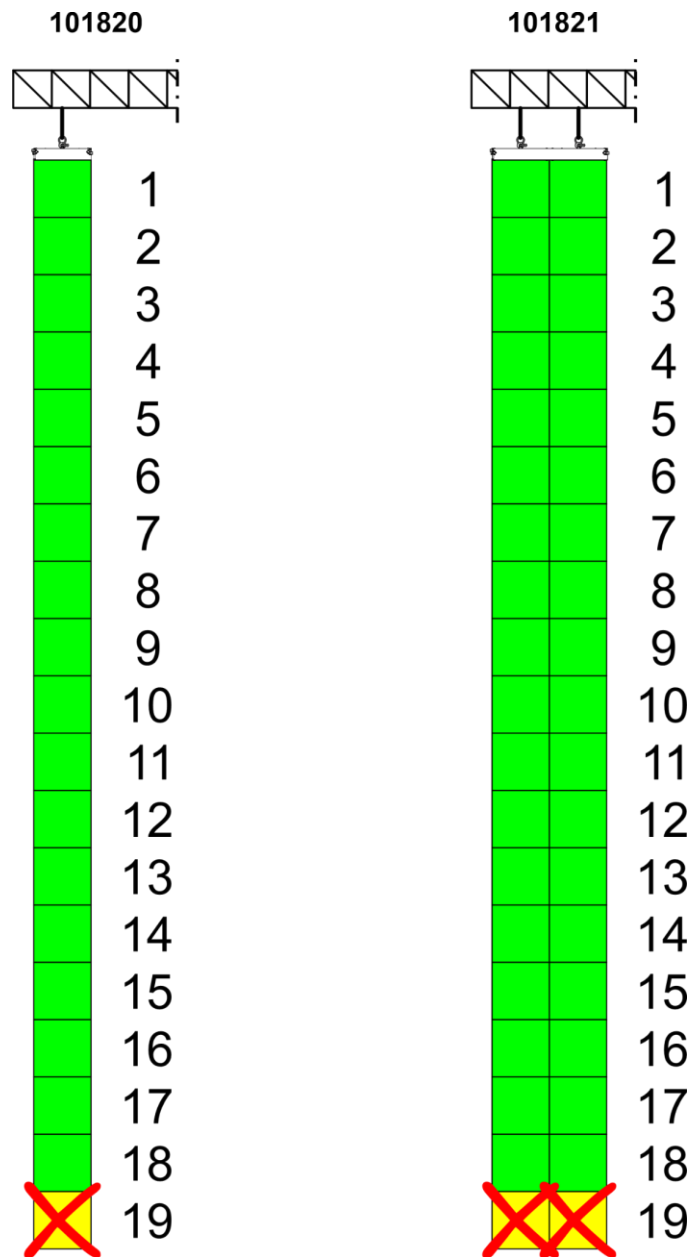


Fig. 23

#### 4.6. Working of the Locking Mechanism

The Single Rigging Bar (101820) has 2 locking mechanisms and the Double Rigging Bar (101821) has 4 locking mechanisms.

Each Alpha series 3.9i LED screen has 4 locking mechanisms: 2 on the top section and 2 on the left side.

The **locking mechanism (03)** allows you to easily connect a rigging bar to a LED screen, a LED screen to a rigging bar or connect a LED screen to another LED screen.

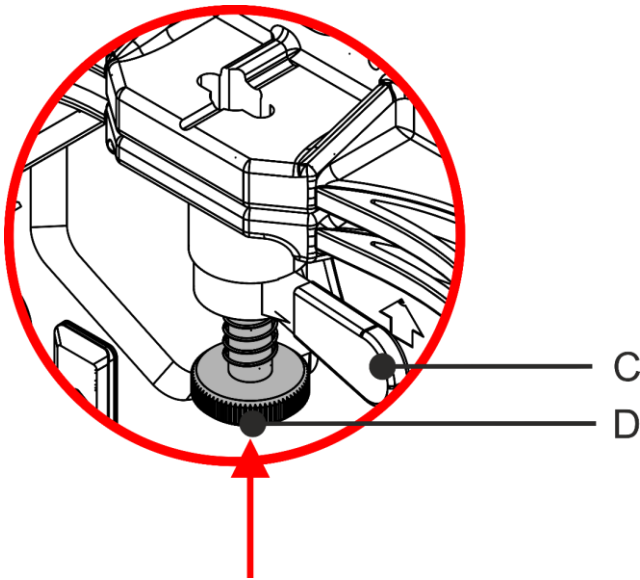


Fig. 24

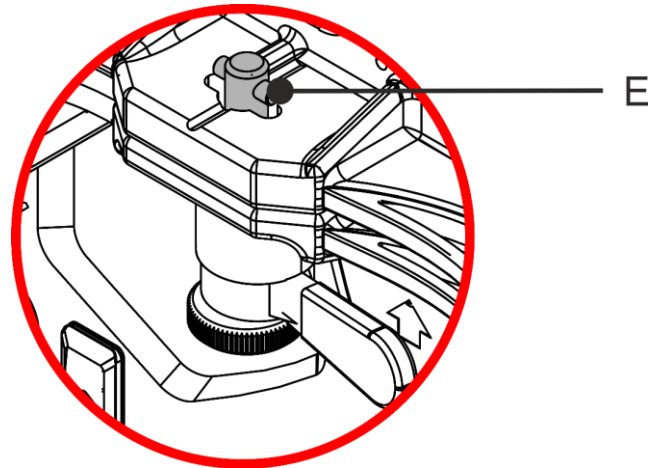


Fig. 25

- C) Lever
- D) Spring-loaded fast-lock
- E) Pins

To use the locking mechanism, follow the steps below:

- 01) Turn the **lever (C)** counterclockwise.
- 02) Push the **locking mechanism (03)** and turn it by 90° clockwise or counterclockwise, as shown in Fig. 24 and 25.
- 03) Make sure that the pins are firmly locked in the **fast-lock opening (06)**, as shown in Fig. 26.
- 04) Turn the **lever (C)** clockwise to lock the **locking mechanism (03)**, as shown in Fig. 27 and 28.

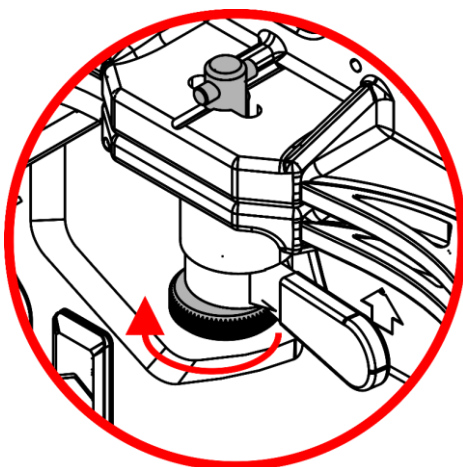


Fig. 26

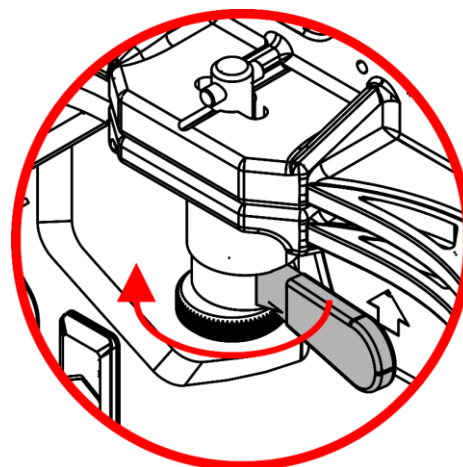


Fig. 27



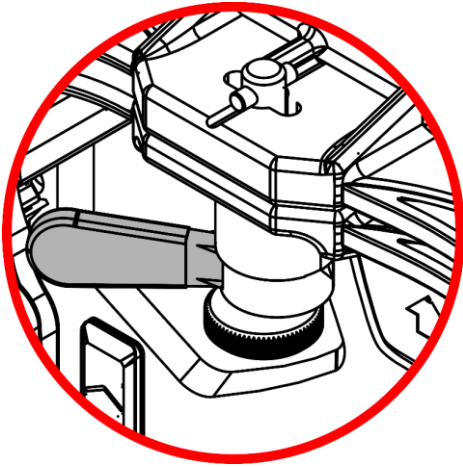


Fig. 28

## 4.7. Installation of a LED Screen to the Device

Minimum two persons are necessary for the installation of a LED screen to the device.

You can install the Alpha series 3.9i LED screen to the device in 2 different ways:

- Hanging installation: LED screen below the rigging bar
- Standing installation: LED screen on top of the rigging bar

### 4.7.1. Hanging Installation



#### WARNING

Do not hang more LED screens than the maximum allowed number.

This device is designed for hanging installation of 18 LED screens under each other. Do not hang more than 18 LED screens under each other on one device.



#### WARNING

Do not mount a LED screen to the device only by the magnet.

The device and the LED screen have magnetic strips. The magnetic strips are designed to help you align the device to the LED screen during installation.

- Make sure that the LED screen is always held until installation is completed.
- Do not let the LED screen hang on the device only by the magnet.

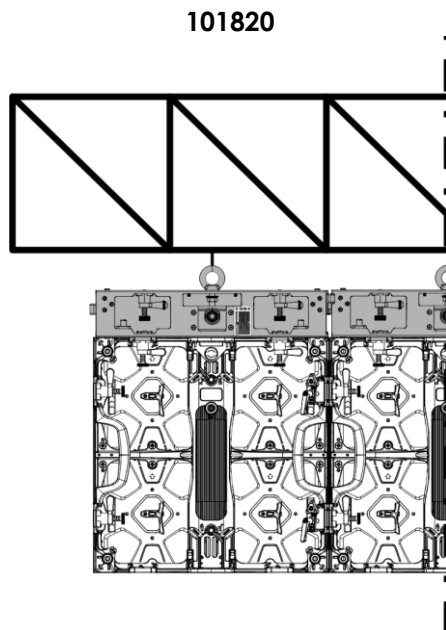


Fig. 29

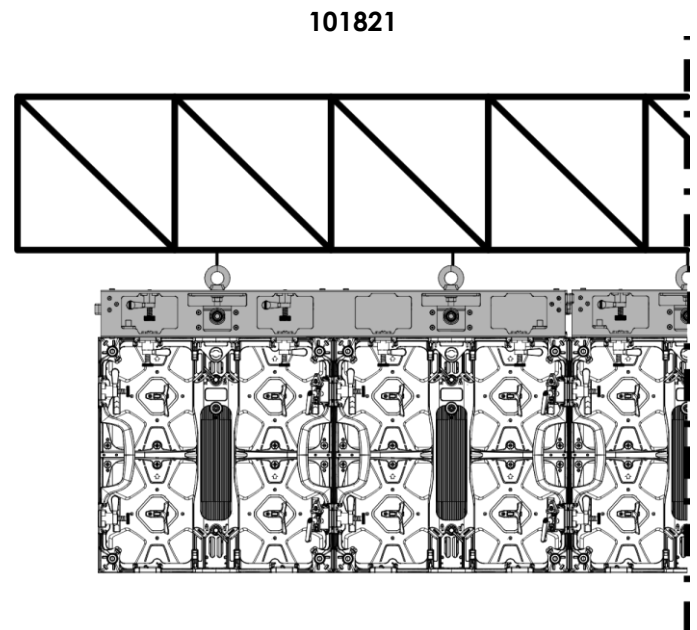


Fig. 30

To attach a LED screen to the device, follow the steps below:

- 01) Put a LED screen below the device and let the magnetic strip on top of the LED screen snap to the bottom of the device, as shown in Fig. 31.
- 02) Turn the **lever (C)** counterclockwise.
- 03) Push the left **spring-loaded fast-lock (D)** of the LED screen upwards and turn it by 90° clockwise or counterclockwise, as shown in Fig. 32 and 33.

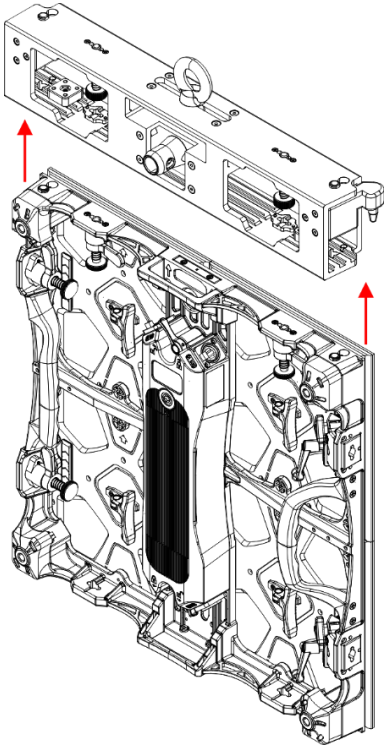


Fig. 31

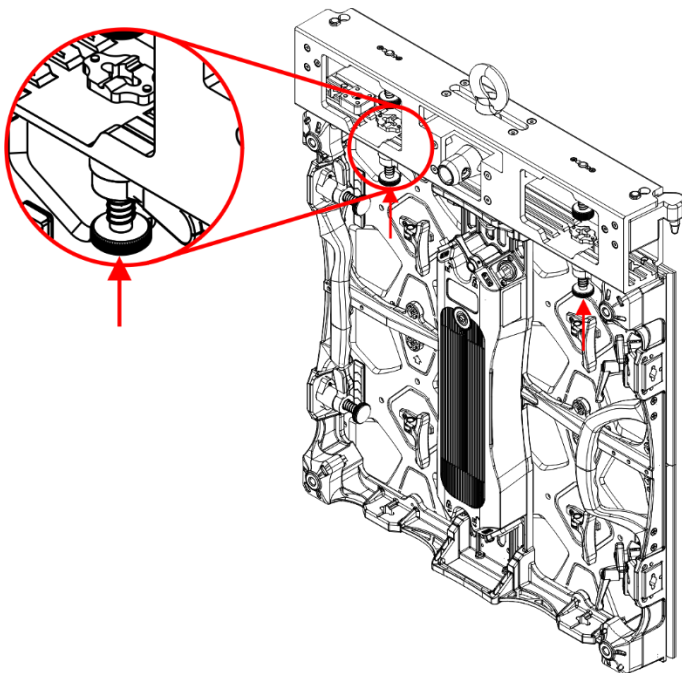


Fig. 32

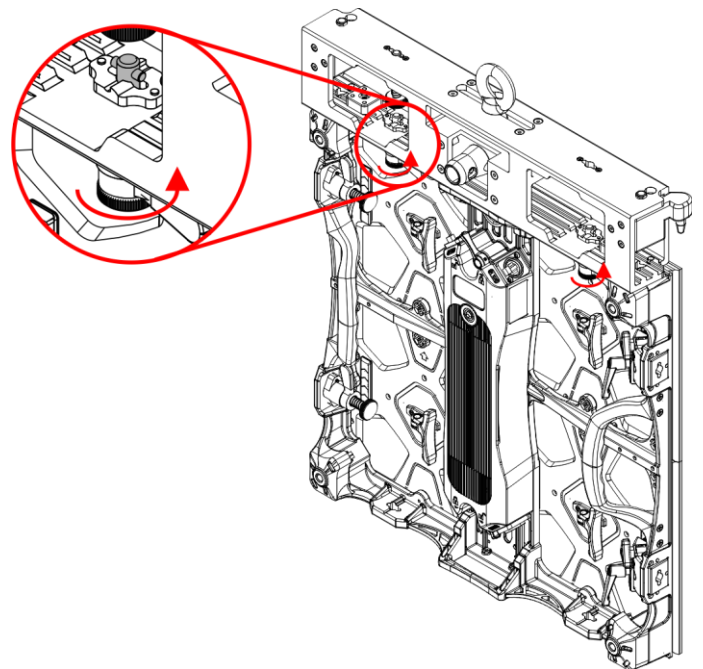


Fig. 33

- 04) Make sure that the pins are firmly locked in the **fast-lock opening (06)** on the bottom of the device, as shown in Fig. 34.
- 05) Turn the **lever (C)** clockwise to tighten it to the device, as shown in Fig. 35 and 36.
- 06) Repeat steps 2–5 for the right spring-loaded fast-lock on top side of the LED screen.

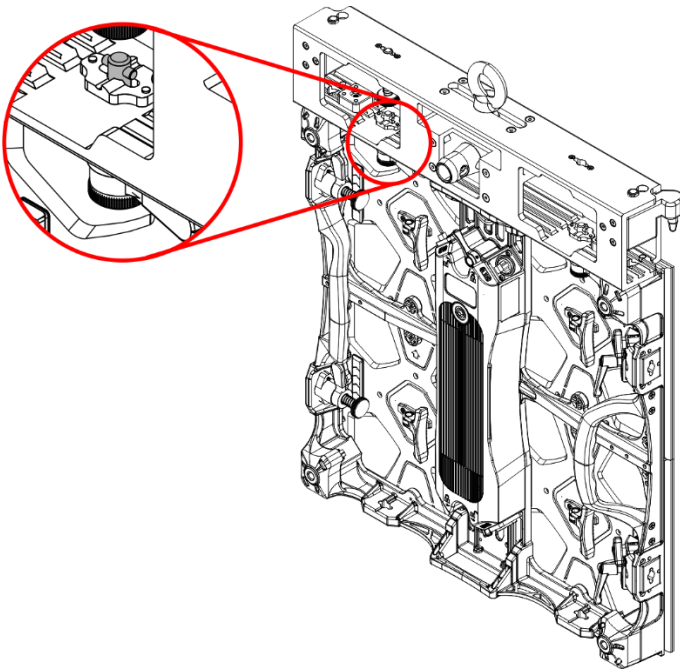


Fig. 34

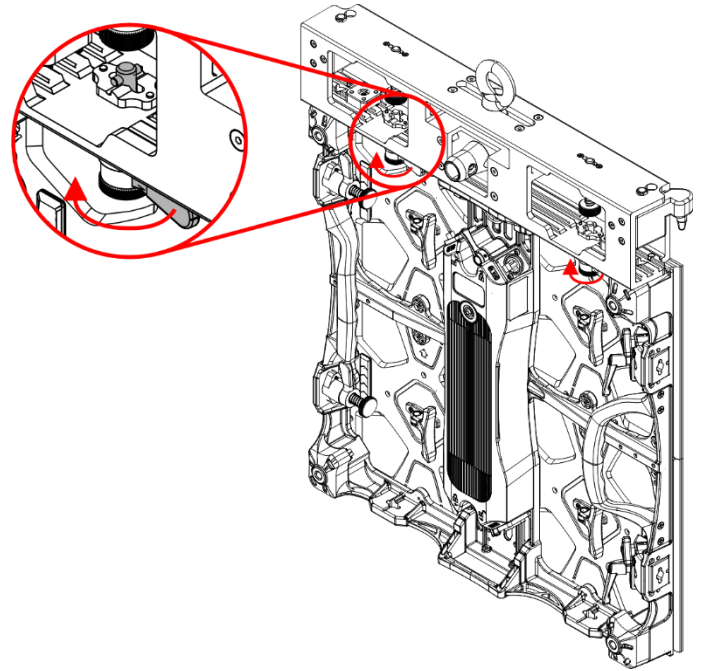


Fig. 35

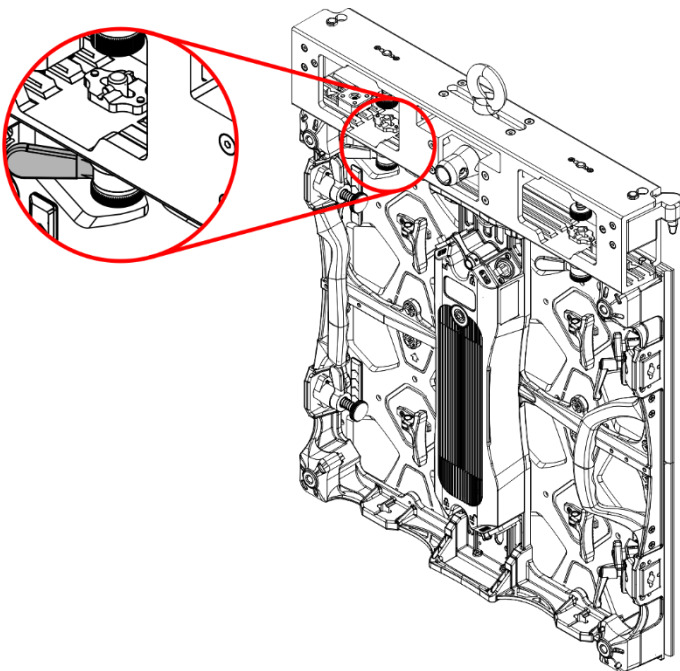


Fig. 36

- 07) Make sure that the LED screen setup is leveled, as shown in Fig. 09 and 10 on page 11.

4.7.2. Standing Installation

101820

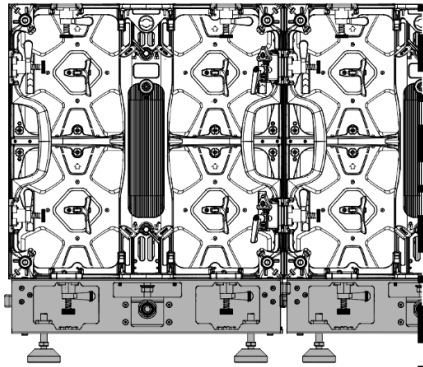


Fig. 37

101821

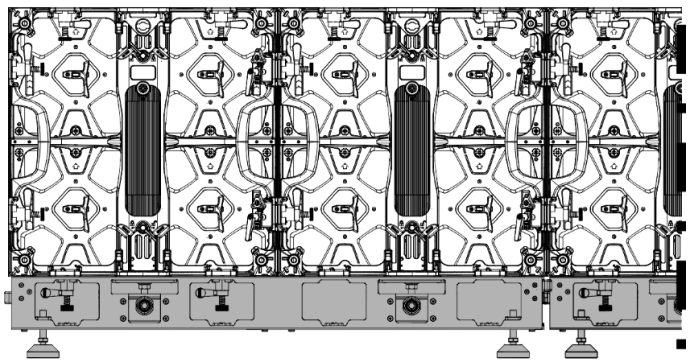


Fig. 38

To install a LED screen on top of the device, follow the steps below:

- 01) Remove the **rigging eye(s) (04)** on top of the device, as shown in Fig. 39.

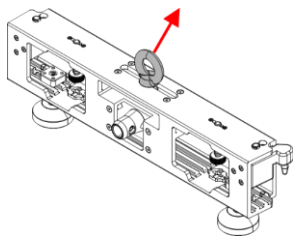


Fig. 39

- 02) Put a LED screen on top of the rigging bar, so that the fast-lock openings on the bottom of the LED screen fit in the **locking mechanism (03)** of the rigging bar, as shown in Fig. 40 and 41.

101820

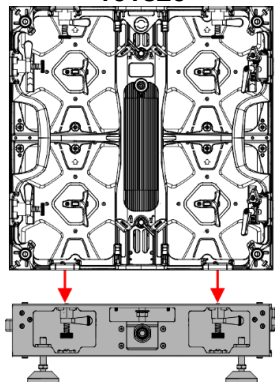


Fig. 40

101821

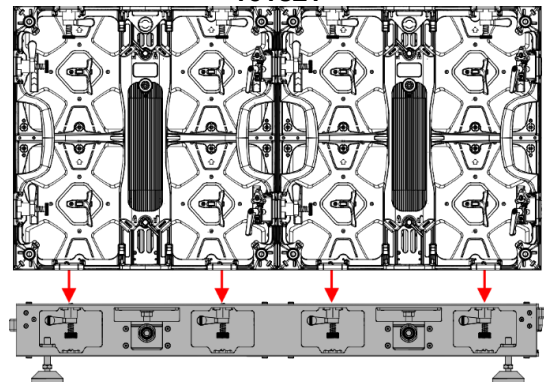


Fig. 41

- 03) Turn the **lever (C)** counterclockwise.
- 04) Push the left **spring-loaded fast-lock (D)** of the rigging bar upwards and turn it by 90° clockwise or counterclockwise, as shown in Fig. 42 and 43.

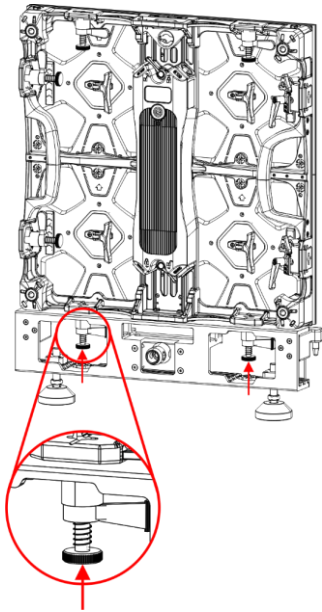


Fig. 42

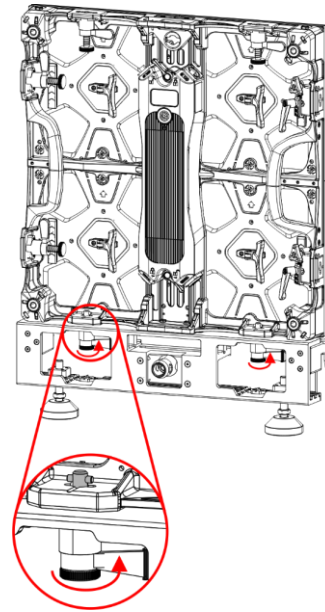


Fig. 43

- 05) Make sure that the **pins (E)** are firmly locked in the fast-lock opening on the bottom of the LED screen, as shown in Fig. 44.
- 06) Turn the **lever (C)** clockwise to tighten it to the LED screen, as shown in Fig. 45 and 46.
- 07) Repeat steps 2–6 for the right **locking mechanism (03)** of the rigging bar.

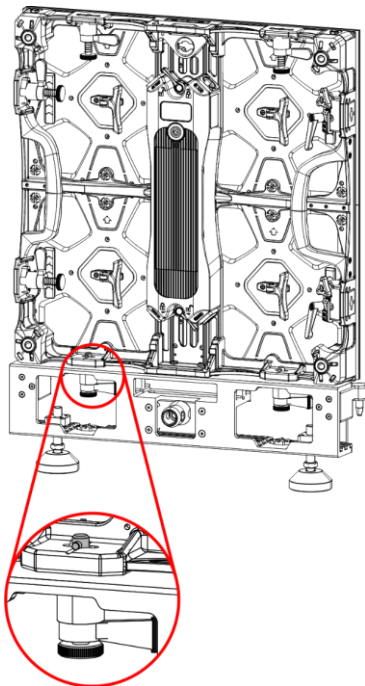


Fig. 44

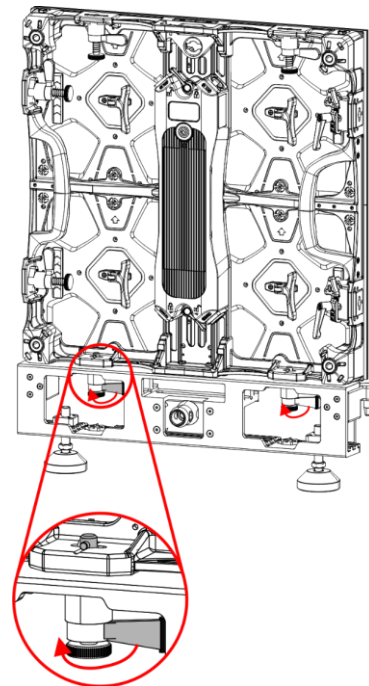


Fig. 45

08) Make sure that the LED screen is leveled, as shown in Fig. 47. To level your setup, see **4.8. Height Adjustment**, Fig. 48 and 49 on page 22.

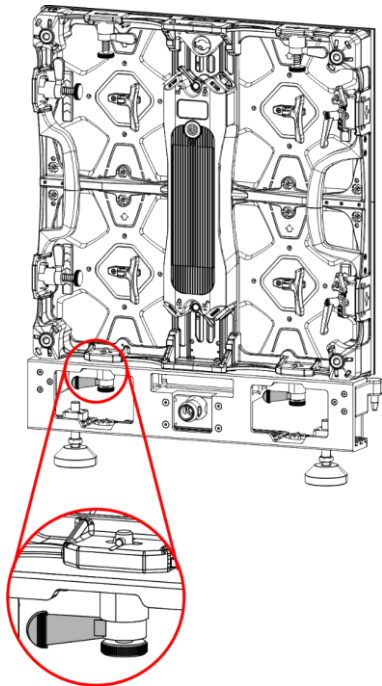


Fig. 46

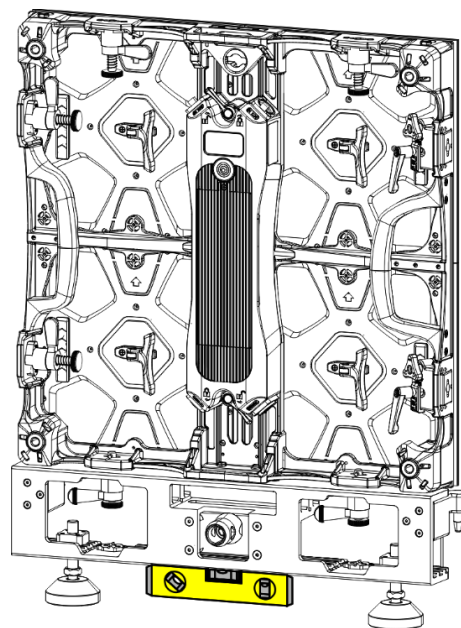


Fig. 47

## 4.8. Height Adjustment

You can adjust the distance between the surface and the rigging bar with the 2 **adjustable feet (02)**.

To adjust the length of the **adjustable feet (02)**, follow the steps below:

- 01) Turn screw F of the **adjustable feet (02)** clockwise or counterclockwise to adjust the length of the feet, as shown in Fig. 48.
- 02) Turn screw G clockwise until it reaches the bottom of the rigging bar, as shown in Fig. 49.

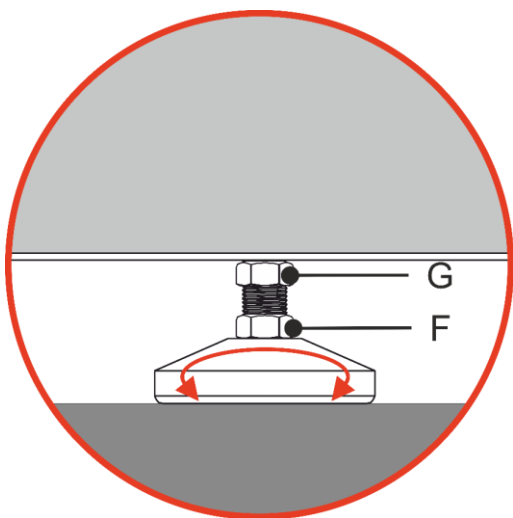


Fig. 48

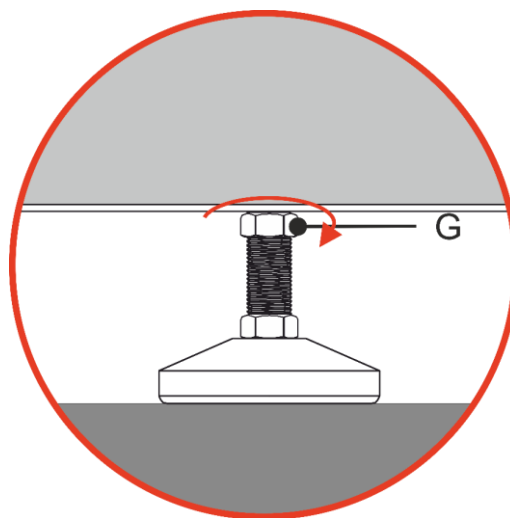


Fig. 49

## 5. Inspection and Maintenance



**Attention**

Inspection and maintenance may be carried out only by instructed or skilled persons.  
Service shall be carried out only by skilled persons.

### 5.1. Inspection



**Attention**

Before every use, examine the device visually for any defects

Regular and periodic inspections shall be carried out throughout the period of service of the device. The frequency of the inspections depends on the inspection schedule established for the site where the device is installed.

- Examine the device for damage, cracks and corrosion. If any fault is found, mark the device clearly and remove it from service.
- Do not use the device if it is damaged.

### 5.2. Corrective Maintenance

- Do not modify the device.
- Refer repairs and servicing to skilled persons. Contact your Highlite International dealer for more information.

### 5.3. Basic Cleaning Instructions

- Use a damp cloth to clean the device.
- Do not use alcohol, solvents or abrasive agents.



## 6. Deinstallation, Transportation and Storage

---

### 6.1. Instructions for Deinstallation



**WARNING**

**Incorrect deinstallation can cause serious injuries and damage of property.**

- Restrict the access under the working area during deinstallation.
- Always observe the national and site-specific regulations during deinstallation of the device.
- Wear personal protective equipment in compliance with the national and site-specific regulations.

### 6.2. Instructions for Transportation

Make sure that appropriate measures are taken to prevent damage to the device during transportation.

### 6.3. Storage

- Inspect the device for defects before storing. See **5.1. Inspection** on page 23 for more information.
- Clean the device before storing. Follow the cleaning instructions in chapter **5.3. Basic Cleaning Instructions** on page 23.
- Store the device in a dry, ventilated environment to avoid corrosion.

## 7. Disposal

---

After the device is removed from service it can be disposed of as scrap.

This product contains a magnet. Check the local regulations with regard to disposing of magnets before disposing of the product.







©2022 DMT