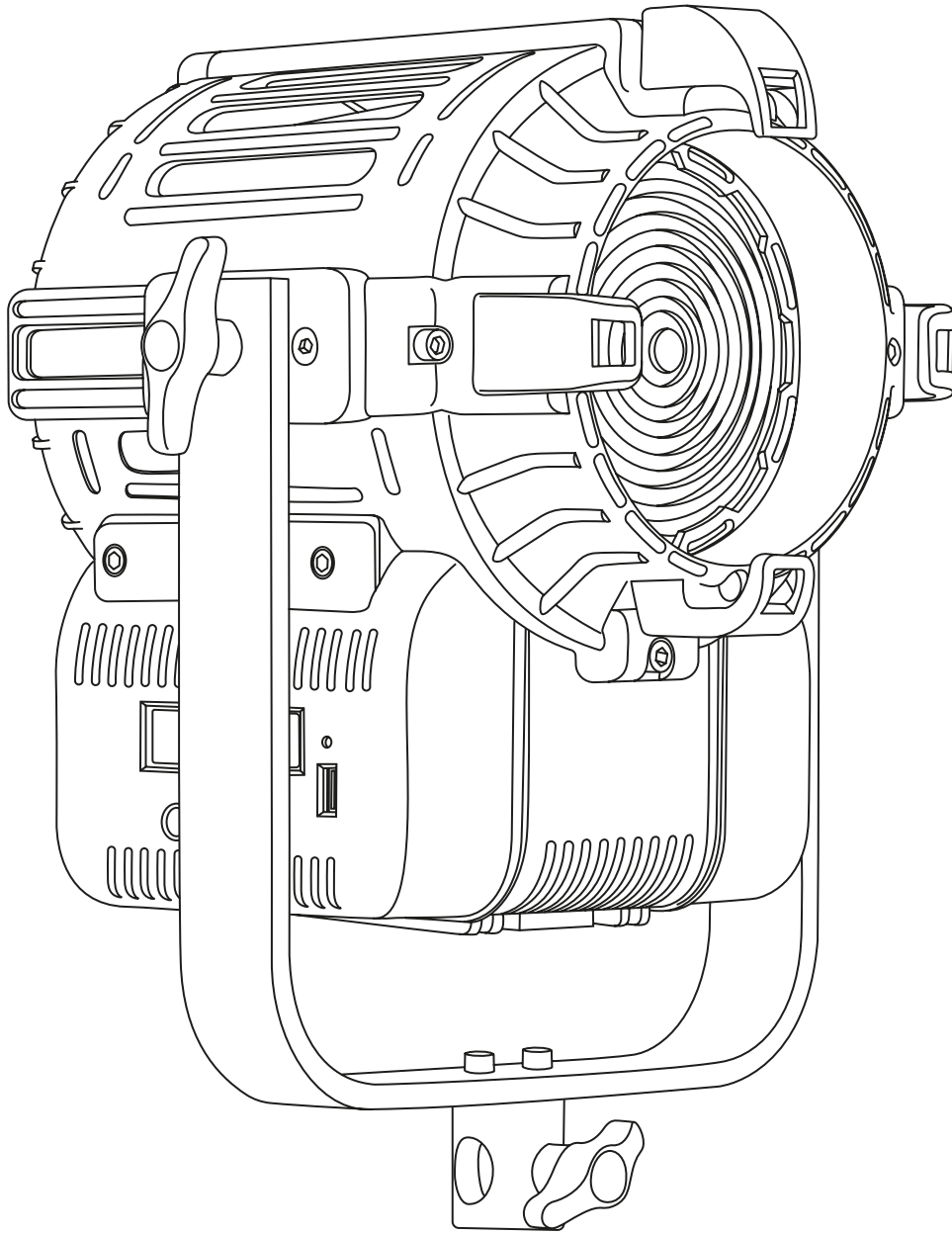


Lupo
Made in Italy



Cod 303 PRO

Dayled 650 PRO Dual Color

Technical Data

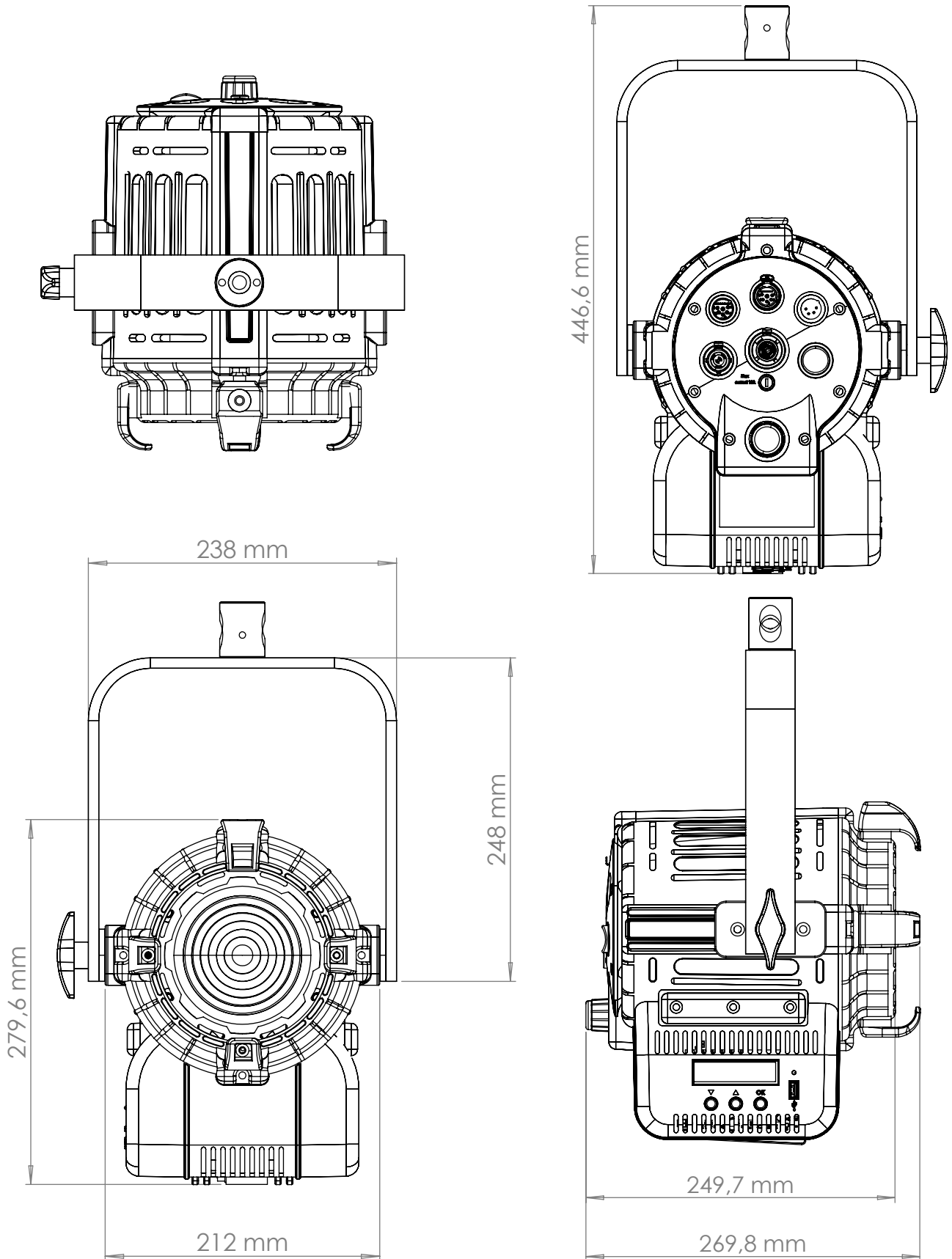
Technical Features

Dimensions (cm)	212 x 279 x 269 mm
Dimensions (in)	8.3 x 10.9 x 10.5 in
Weight (kg)	5 kg
Weight (lb)	11 lb
CRI (Colour Rendering Index)	> 97
TLCI (Television Lighting Consistency Index)	99
LED COB	60 W
Dimmer 0 - 100	included
Dimming curves mode	Linear, Exponential, Logarithmic
Connection for 14.8 V battery with standard XLR 4 pin connector (pin 1: negative / pin 4: positive)	included
Standard XLR 5 pin connectors to DMX console	included
Watt consumption	60 W
Fresnel lens	120 mm
Firmware upgrades	through USB port
Colour temperature	Dual Color (2800 K - 6500 K)
Voltage AC	90 V - 240 V
Light beam	15° - 50°
Frequency (input)	50 / 60 Hz
Compliance	CE

Photometric data

Distance	6500 K		5600 K		3200 K	
	spot	flood	spot	flood	spot	flood
Lux at 1 m - 3.2 ft	24000	3100	20000	2950	15000	2300
Lux at 2 m - 6.5 ft	5400	700	4900	780	3300	530
Lux at 3 m - 9.8 ft	2200	330	2000	360	1500	270
Lux at 4 m - 13.1 ft	1050	190	980	160	820	160
Lux at 5 m - 16.4 ft	680	130	600	120	510	105

Technical Drawing



Lupo
Made in Italy

eqc
extreme quality control

Lupo srl - Via V. Sassi 28/30 Collegno (TO) - 10093 - Italy

Phone: +39 011 411 9919 / e-mail: contact@lupo.it / website: www.lupo.it

Extreme Quality Control S.L. - Calibre 55 - Collado Villalba - 28400 - Madrid, Spain

Phone: +34 918 505 087 / e-mail: info@eqcgrupo.com / website: www.eqcgrupo.com