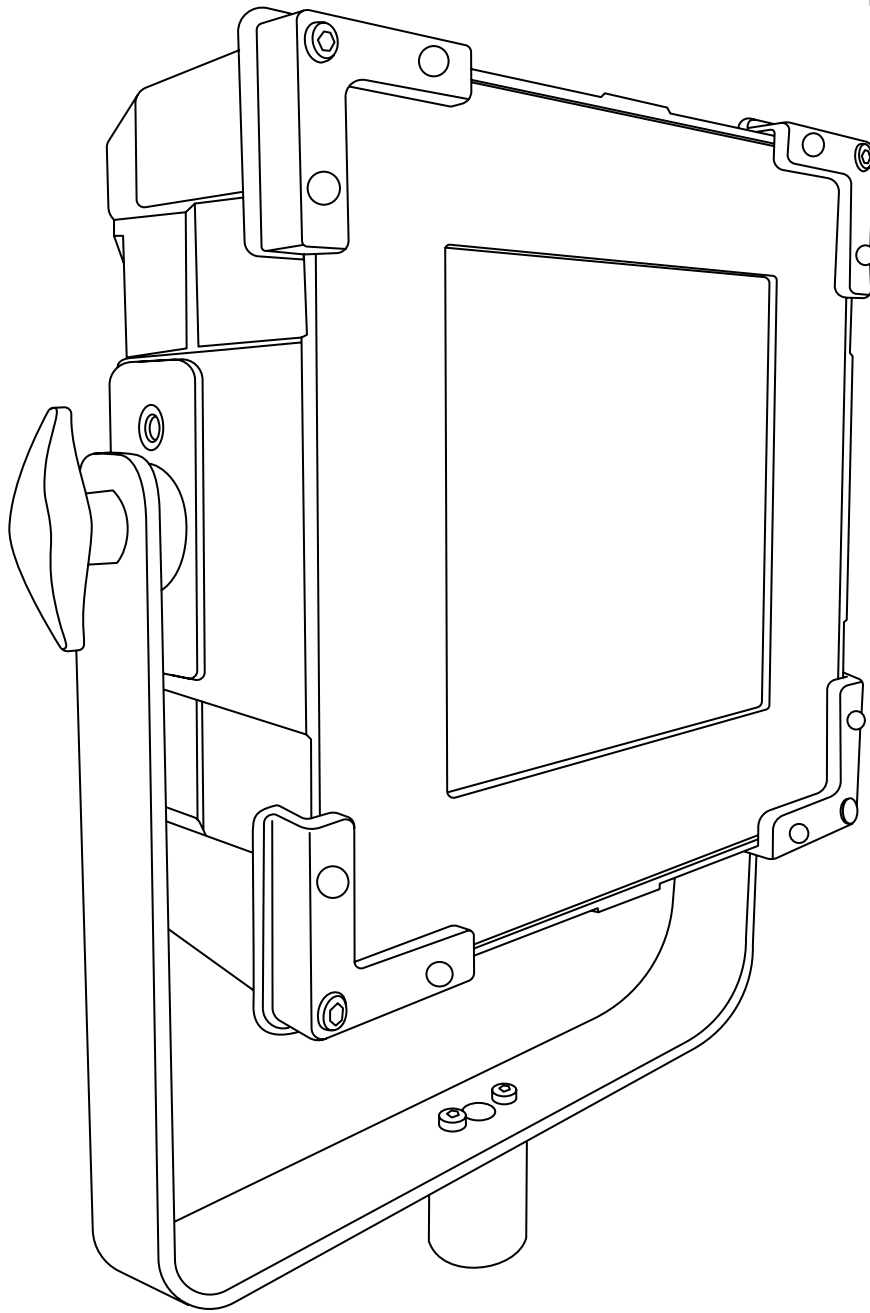


Lupo
Made in Italy



Cod 603 PRO

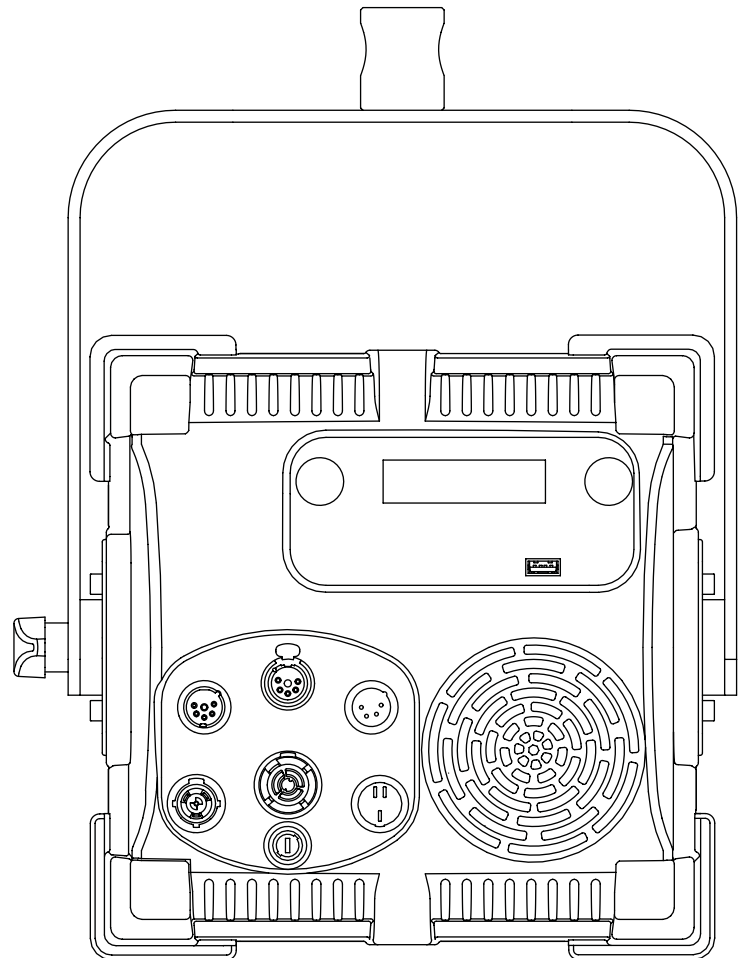
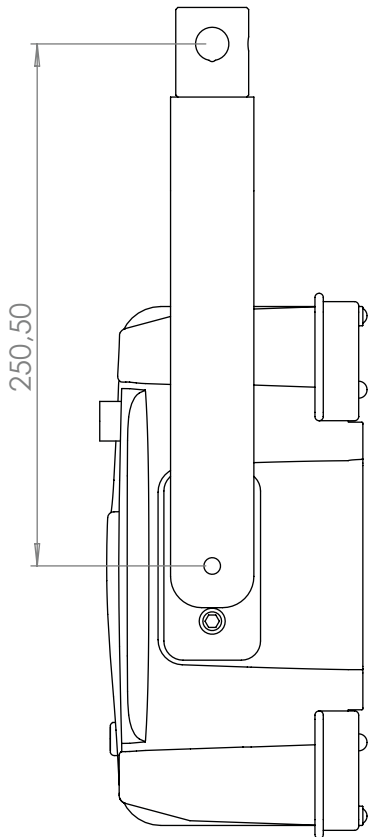
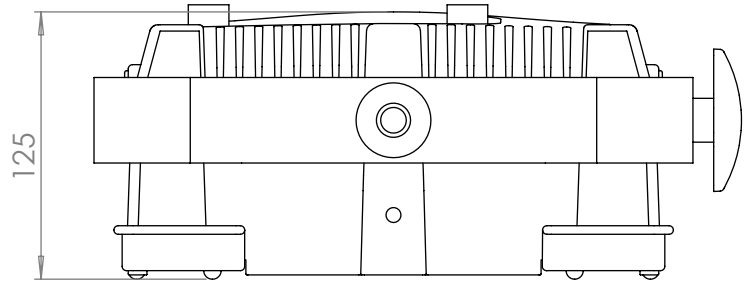
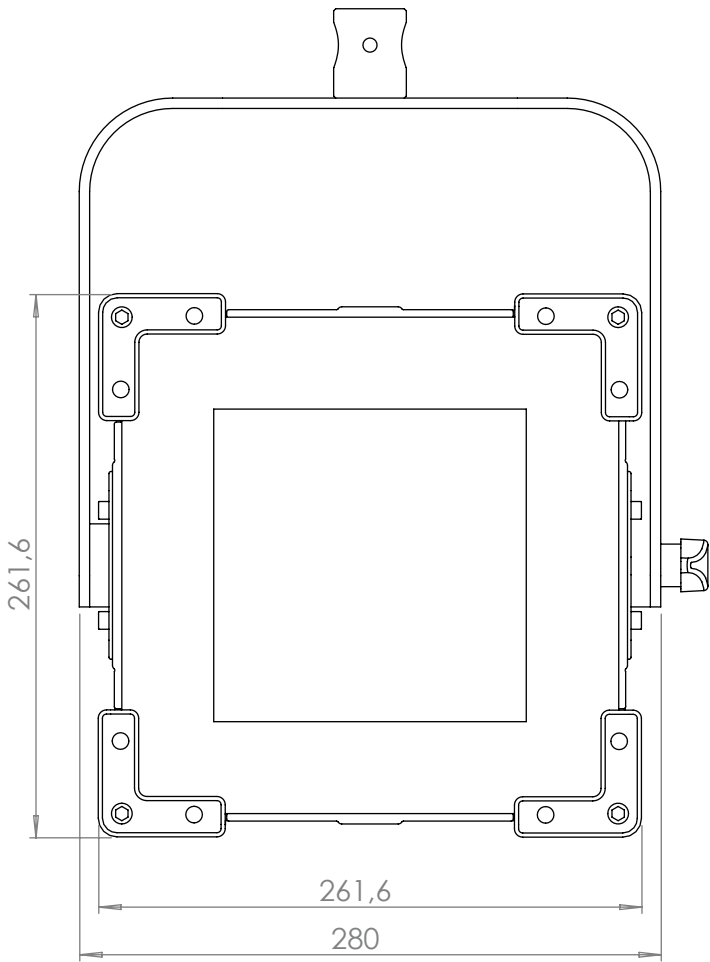
ActionpanelPRO Dual Color Soft

Technical Data

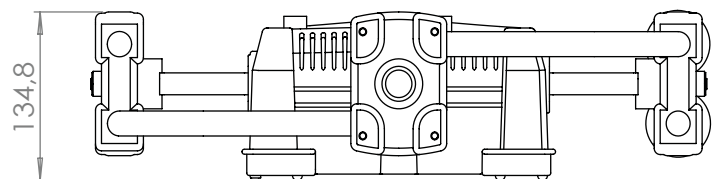
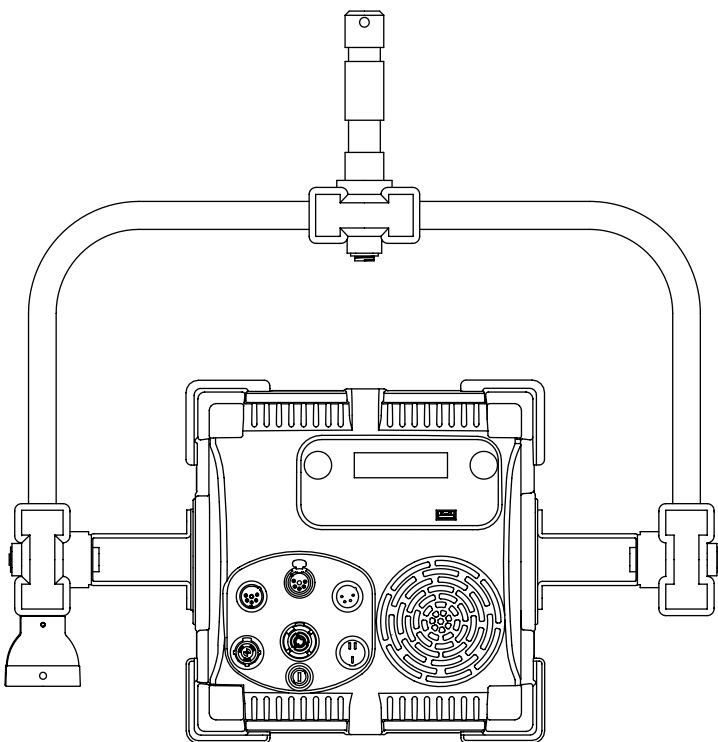
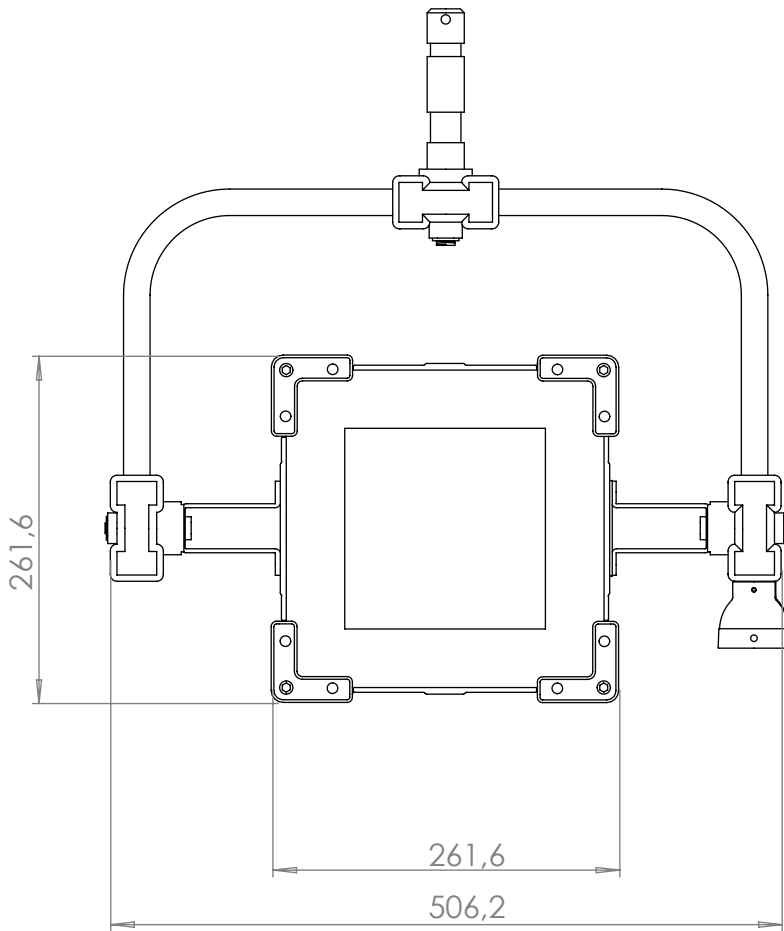
Dimensions (cm)	261 x 261 x 125 mm
Dimensions (in)	10,2 x 10,2 x 4.9 in
Weight (kg)	3.8 kg
Weight (lb)	8.3 lb
CRI (Colour Rendering Index)	> 96, typical 97
TLCI (Television Lighting Consistency Index)	98
Estimated LED lifetime (L80)	50,000 hours
Dimmer 0 - 100	included
Dimming curves mode	Linear, Exponential, Logarithmic
Connection for 14.8 V battery with jack connector	included
Standard XLR 5 pin connectors to DMX console	included
DMX module	included
DMX (bit)	8 bit / 16 bit
Watt consumption	60 W
Firmware upgrades	through USB port
Colour temperature	2800 K - 6500 K
Voltage AC	90 V - 240 V
Light beam	120°
Frequency (input)	50 / 60 Hz
Compliance	CE
Remote control	Bluetooth Long Range / DMX / RDM
Ambient temperature	Max: + 45°C / Min: - 10°C
Power factor	0.96

Photometric data	6500 K	5600 K	3200 K
Distance			
Lux at 1 m - 3.2 ft	1820	1800	1750
Lux at 2 m - 6.5 ft	440	430	410
Lux at 3 m - 9.8 ft	220	210	192
Lux at 4 m - 13.1 ft	135	125	116
Lux at 5 m - 16.4 ft	85	81	76

Technical Drawing



Pole Operated Yoke



Lupo
Made in Italy

Lupo srl - Via V. Sassi 28/30 Collegno (TO) - 10093 - Italy

Phone: +39 011 411 9919 / e-mail: contact@lupo.it / website: www.lupo.it

eqc
extreme quality control

Extreme Quality Control S.L. - Calibre 55 - Collado Villalba - 28400 - Madrid, Spain

Phone: +34 918 505 087 / e-mail: info@eqcgrupo.com / website: www.eqcgrupo.com